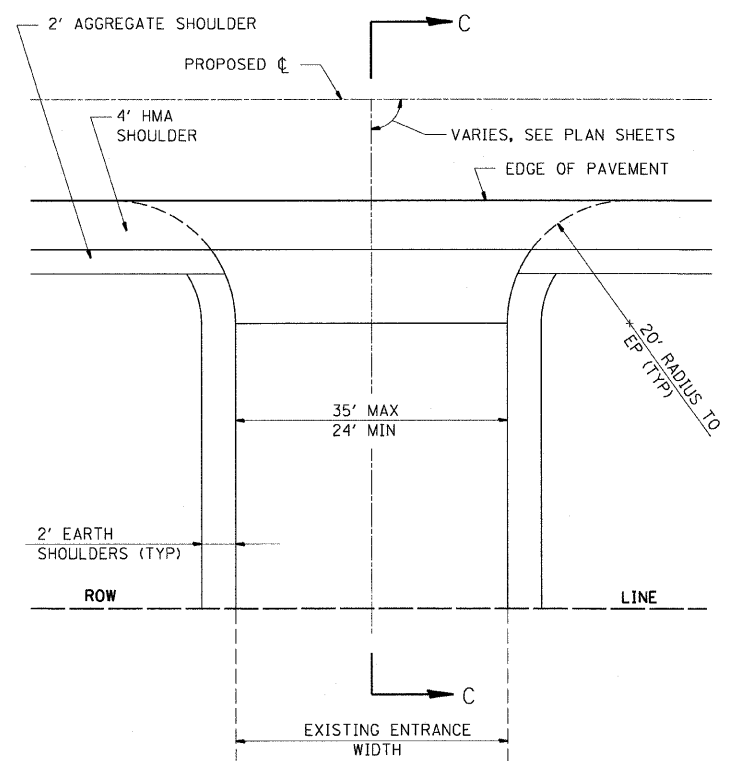
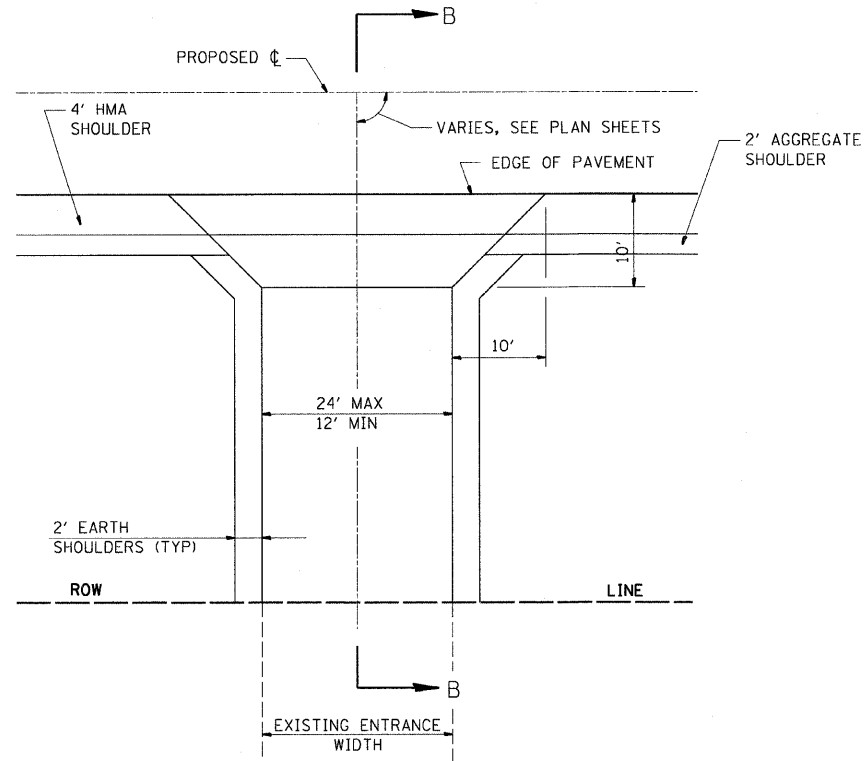


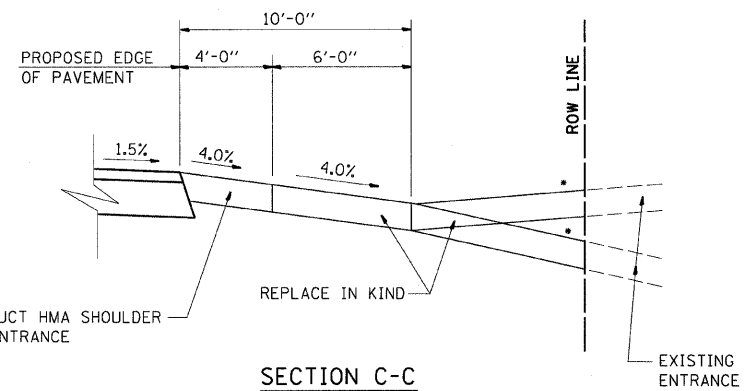
F.A.P. RTE.	SECTION	COUNTY	TOTAL SHEETS	SHEET NO.
609	***	ST. CLAIR	350	122
STA.		TO STA.		
FED. ROAD DIST. NO.		ILLINOIS FED. AID PROJECT		
*** 76RS-3, 76-2BR-21				



CE DETAIL C
COMMERCIAL ENTRANCE ADJACENT TO COMBINATION HMA AND AGGREGATE SHOULDERS

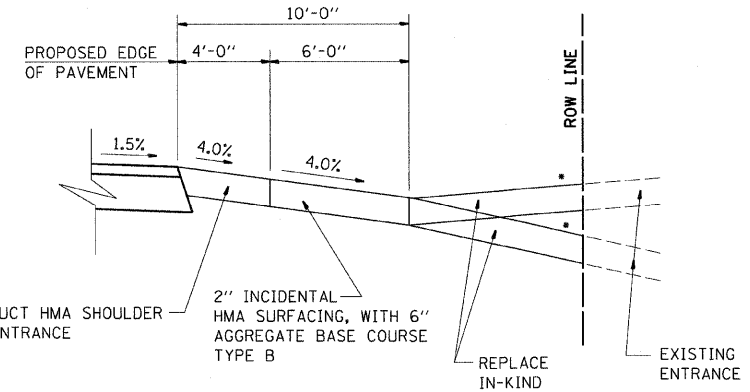


PE DETAIL B
PRIVATE ENTRANCE ADJACENT TO COMBINATION HMA AND AGGREGATE SHOULDERS



SECTION C-C

- SEE CROSS SECTIONS FOR SLOPE
- OMIT AT CONCRETE ENTRANCES
- SEE PLANS FOR EXISTING SURFACE TYPE



SECTION B-B

- SEE CROSS SECTIONS FOR SLOPE
- OMIT AT CONCRETE ENTRANCES
- SEE PLANS FOR EXISTING SURFACE TYPE

TYPE OF ENTRANCE	EXISTING MATERIAL	NEW ENTRANCE MATERIAL (BEYOND RADIUS RETURNS OR TAPERS)				
		PCC DRIVEWAY PAVEMENT (6")	PCC DRIVEWAY PAVEMENT (8")	INCIDENTAL HOT-MIX ASPHALT SURFACING, (2")	AGGREGATE BASE COURSE, TYPE B (6")	AGGREGATE SURFACE COURSE, TYPE B (8")
COMMERCIAL	CONCRETE	X				
	HMA			X	X	
FIELD	AGGREGATE					X
	AGGREGATE					X

TYPE OF ENTRANCE	EXISTING MATERIAL	NEW ENTRANCE MATERIAL (BEYOND RADIUS RETURNS OR TAPERS)				
		PCC DRIVEWAY PAVEMENT (6")	PCC DRIVEWAY PAVEMENT (8")	INCIDENTAL HOT-MIX ASPHALT SURFACING, (2")	AGGREGATE BASE COURSE, TYPE B (6")	AGGREGATE SURFACE COURSE, TYPE B (8")
PRIVATE	CONCRETE	X				
	HMA			X	X	
	AGGREGATE					X

ILLINOIS DEPARTMENT OF TRANSPORTATION
ENTRANCE DETAIL
FAP 609 (ILLINOIS ROUTE 163)
SECTION 76RS-3, 76-2BR-21
ST. CLAIR COUNTY

REVISIONS	
NAME	DATE
IDOT REVIEW	MAR/08

SCALE: VERT. HORIZ.
DATE: 11/26/02
DRAWN BY: BISHOP
DESIGNED BY: COLBROOK
CHECKED BY: COLBROOK
GREENE & BRADFORD, INC.
CONSULTING ENGINEERS
3000 CONSTITUTION DRIVE
SPRINGFIELD, ILLINOIS 62707
PROJECT: 02076
03/21/07-GJM

DESIGN		
INT.	DATE	REASON

PLOTS & CHECKS		
INT.	DATE	REASON

CHECKS		
INT.	DATE	REASON