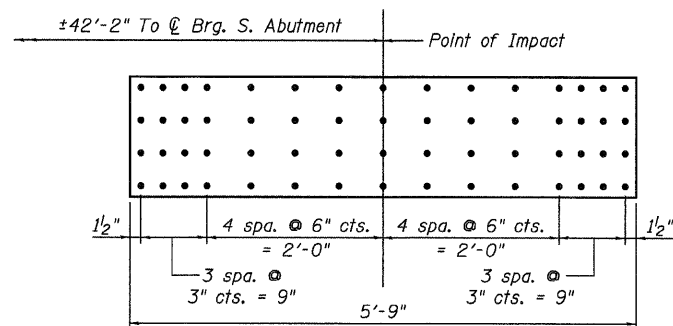


STATE OF ILLINOIS
DEPARTMENT OF TRANSPORTATION

ROUTE NO.	SECTION	COUNTY	TOTAL SHEETS	SHEET NO.
F.A.L.	-	ST. CLAIR	7	3
FED. ROAD DIST. NO. 7	ILLINOIS	FED. AID PROJECT-		3 SHEETS

Operator: dheberling
Date: 9/9/2008
Filename: L:\Jobs\DOT BBS\6727 BBS Various\Drawings\Structure\082-0150.dgn

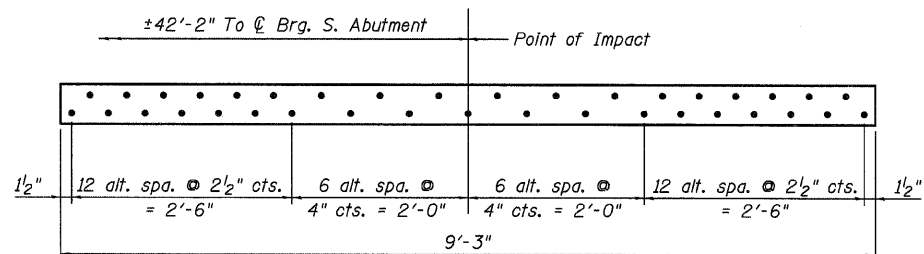


WEB STRENGTHENING PL

2 - PL's 3/8" x 1'-4 1/2" x 5'-9"

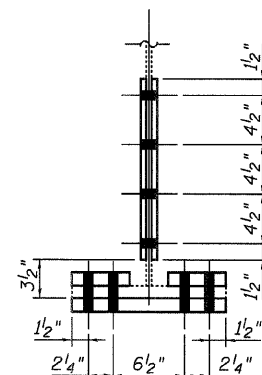
15/16" φ holes for 7/8" φ H.S. bolts in bottom flange and web strengthening PL's. Field drill 15/16" φ holes in existing girder to match holes in strengthening PL's.

- * Field drill holes in new gusset PL to match holes in existing connection PL. Typ. for top gusset PL's and both gusset PL's at beam 3.
- ** Shop drill holes in new gusset PL. Field drill holes in new L 4 x 4 x 3/8 to match holes in new gusset PL. Typ for bottom gusset PL's at beams 5 and 4.
- *** Fillet weld angles along 3 sides and on one face of the gusset PL. Typ. all angle to gusset PL connections.
- **** Fill PL 3/8 x 4 x 9 between angle and Gusset PL.

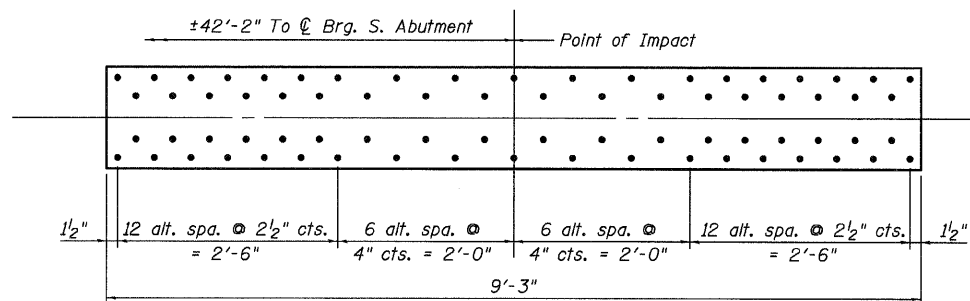


INSIDE FLANGE STRENGTHENING PL

PL 1" x 5 1/4" x 9'-3"

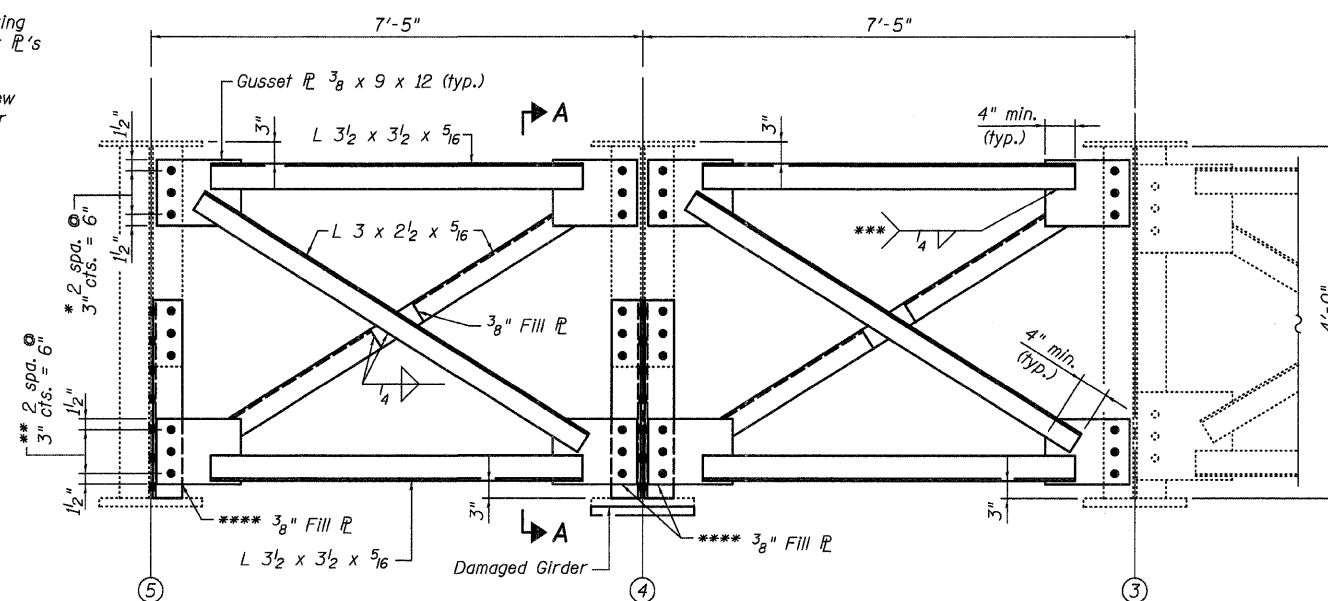


TYPICAL STRENGTHENING SECTION



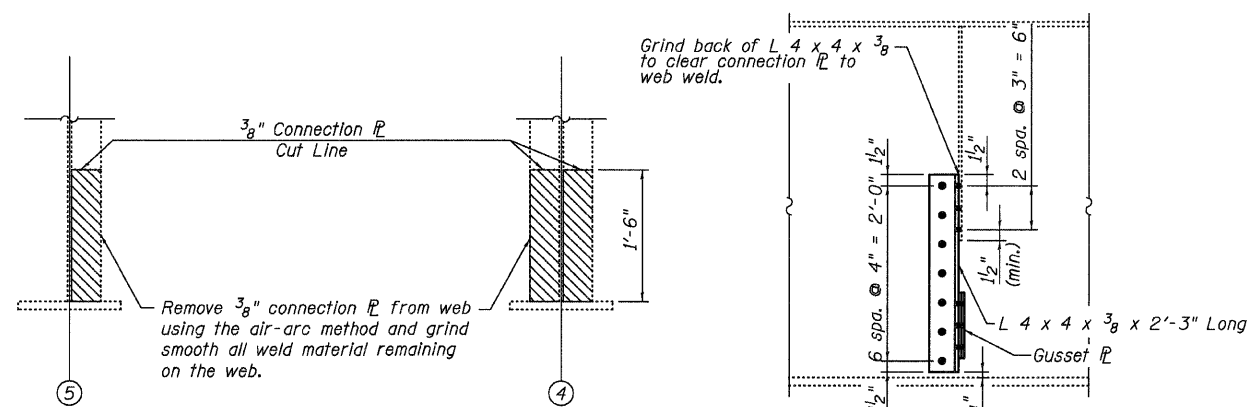
OUTSIDE FLANGE STRENGTHENING PL

PL 3/4" x 1'-2" x 9'-3"



CROSS FRAME REPAIR DETAIL

(Looking North)



CONNECTION PLATE REMOVAL DETAIL

Note:

VIEW A-A

Field drill 13/16" φ holes in existing web and connection PL to match holes in new L 4 x 4 x 3/8 (Cross-Frame not shown for clarity)

DESIGNED	S.D.S.
CHECKED	C.W.C.
DRAWN	D.L.H.
CHECKED	S.D.S.

WHKS & CO.
ENGINEERS PLANNERS LAND SURVEYORS
MASON CITY, IOWA DUBUQUE, IOWA AMES, IOWA
E. DUBUQUE, ILLINOIS SPRINGFIELD, ILLINOIS ROCHESTER, MINNESOTA

BEAM STRENGTHENING DETAILS
10th STREET OVER I-64
ST. CLAIR CO.
S.N. 082-0150