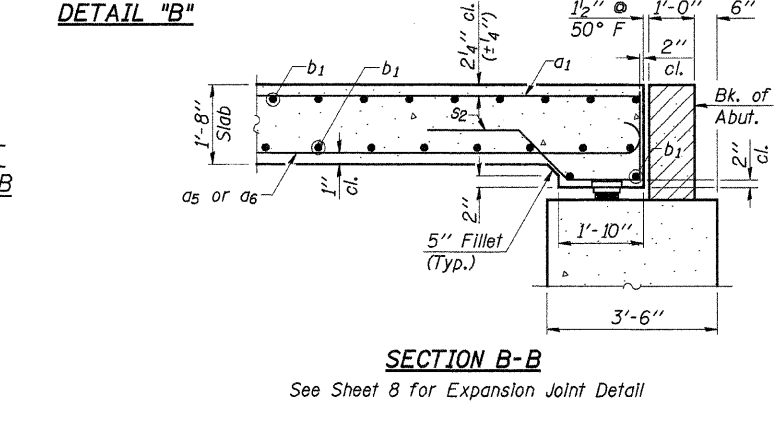
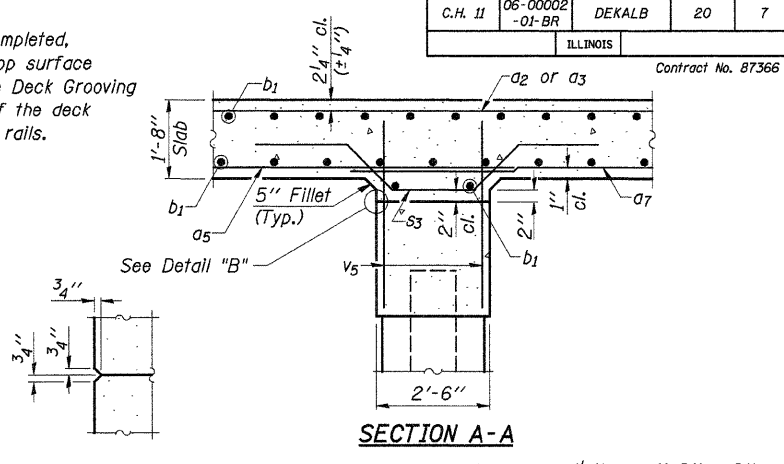
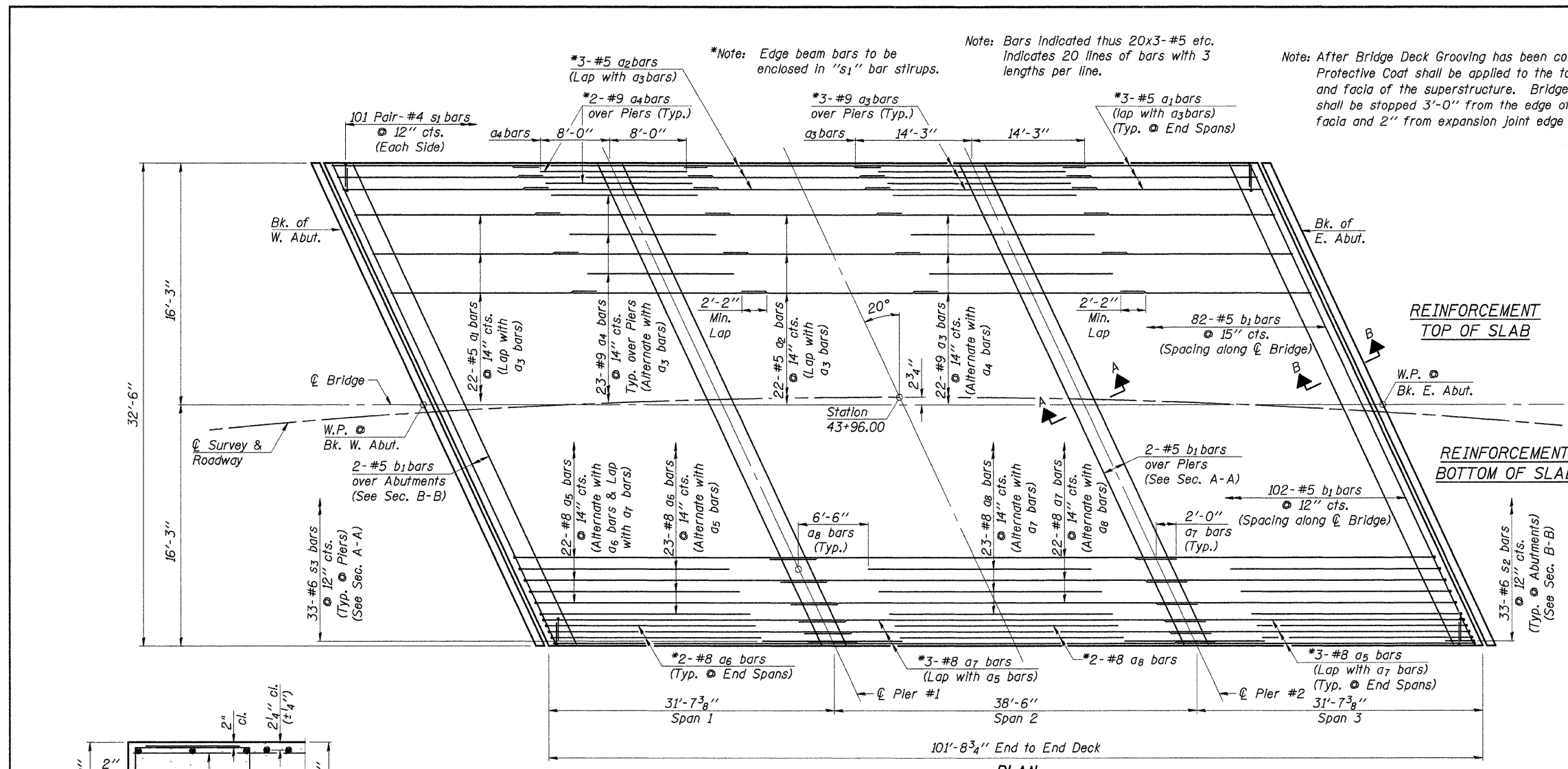
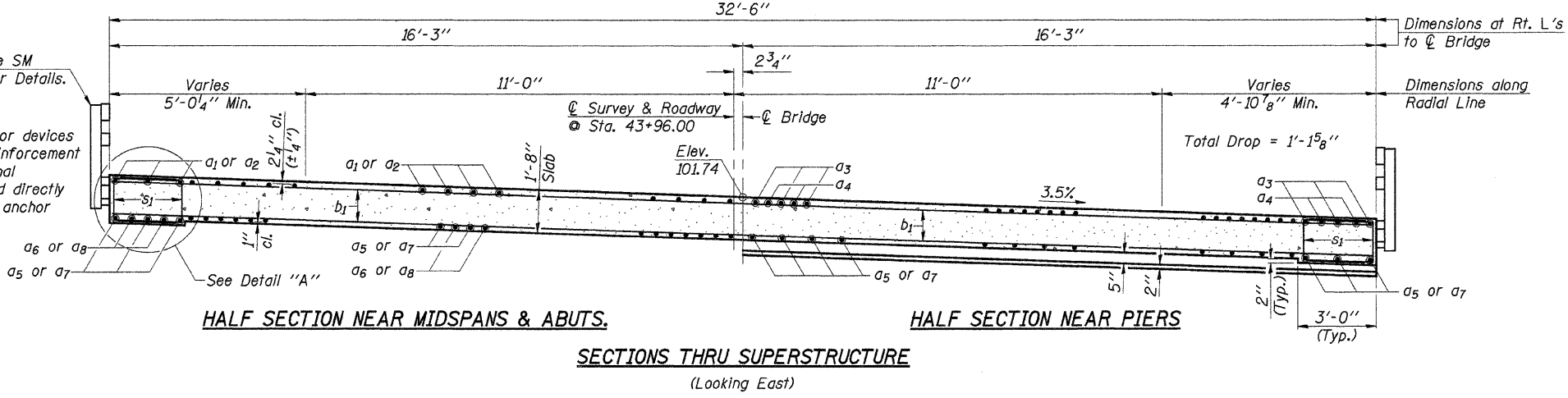
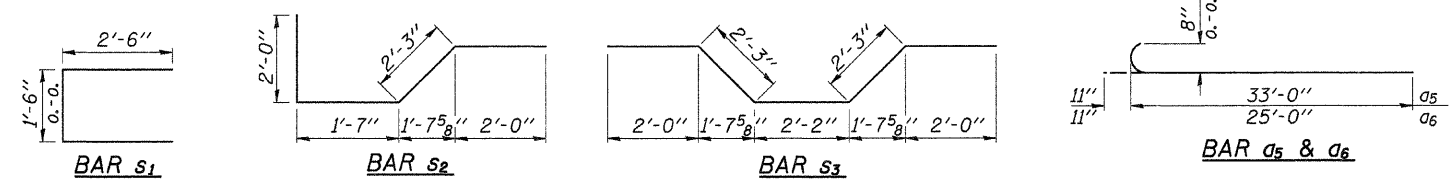
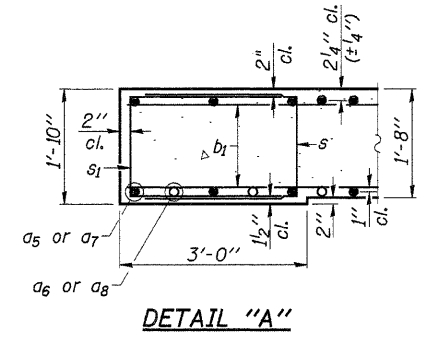


ROUTE NO.	SECTION	COUNTY	TOTAL SHEETS	SHEET NO.
C.H. 11	06-00002-01-BR	DEKALB	20	7
ILLINOIS		Contract No. 87366		



**SUPERSTRUCTURE BILL OF MATERIAL**

BAR	NO.	SIZE	LENGTH	SHAPE
a1	56	#5	19'-6"	—
a2	28	#5	14'-6"	—
a3	56	#9	28'-6"	—
a4	54	#9	16'-0"	—
a5	56	#8	33'-11"	—
a6	54	#8	25'-11"	—
a7	28	#8	42'-6"	—
a8	27	#8	25'-6"	—
b1	192	#5	34'-2"	—
s1	404	#4	6'-6"	—
s2	66	#6	7'-10"	—
s3	66	#6	10'-8"	—
Reinforcement Bars, Epoxy Coated			Pound	34,180
Concrete Superstructure			Cu. Yd.	215.0



DESIGNED	J.A.M.
CHECKED	A.R.K.
DRAWN	S.A.P.
CHECKED	A.R.K. & J.A.M.

**SUPERSTRUCTURE**  
COUNTY HIGHWAY 11  
SECTION 06-00002-01-BR  
DEKALB COUNTY  
STATION 43+96