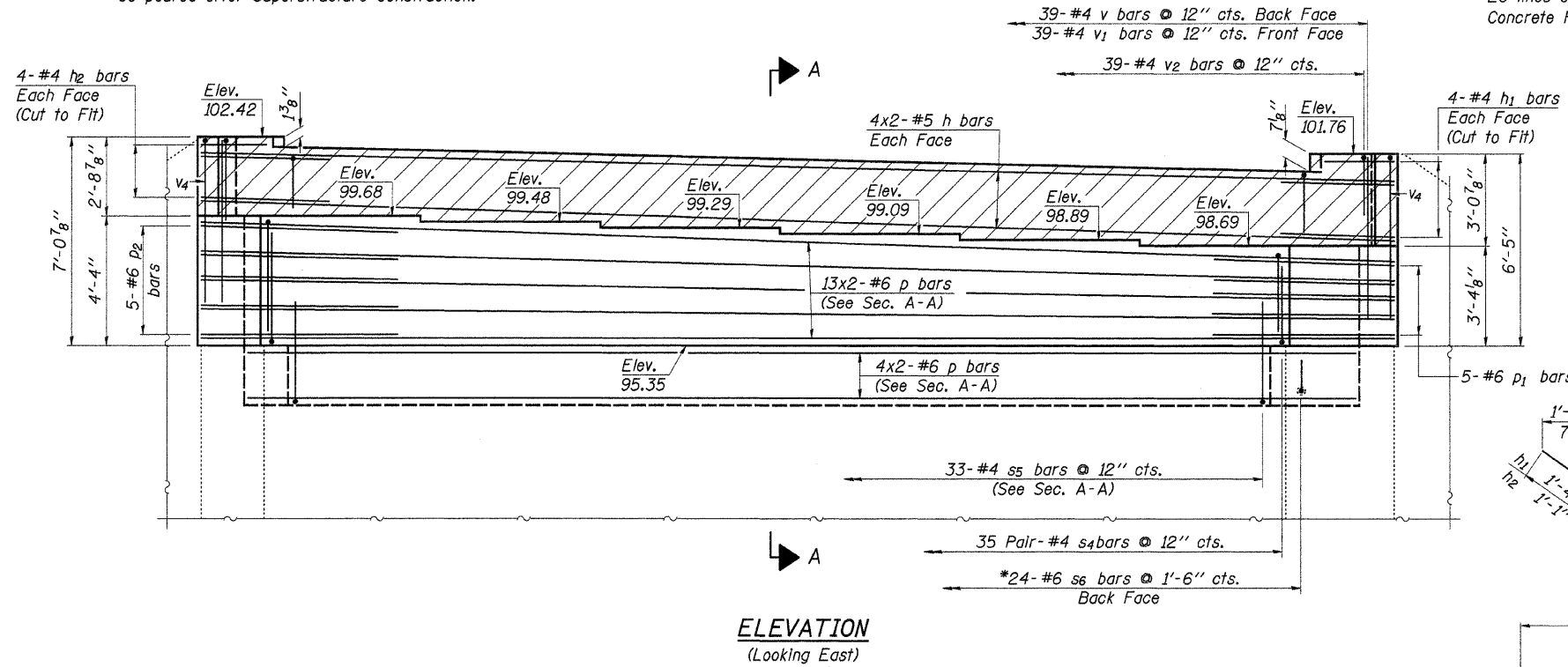


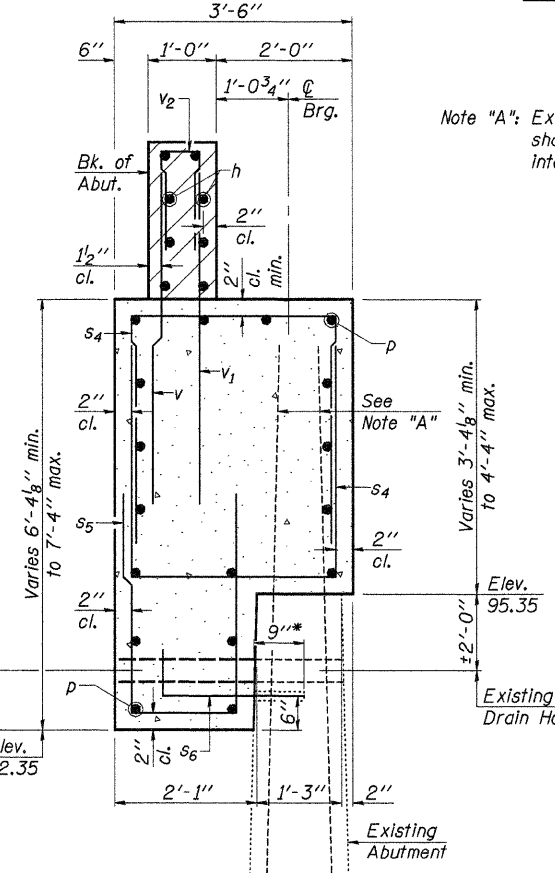
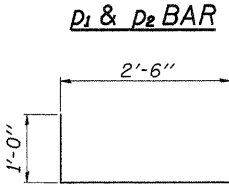
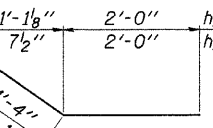
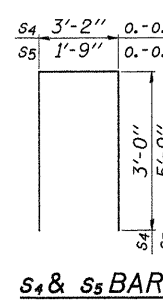
ROUTE NO.	SECTION	COUNTY	TOTAL SHEETS	SHEET NO.
C.H. 11	06-00002-01-BR	DEKALB	20	13
ILLINOIS		Contract No. 87366		

Note: Hatched area indicates Concrete to be poured after Superstructure Construction.

Note: All edges shall have standard 3/4" chamfer. Bars indicated thus 20x3-#5 etc. indicates 20 lines of bars with 3 lengths per line. Concrete Removal Details Shown on Sheet 14.



ELEVATION
(Looking East)



SECTION A-A

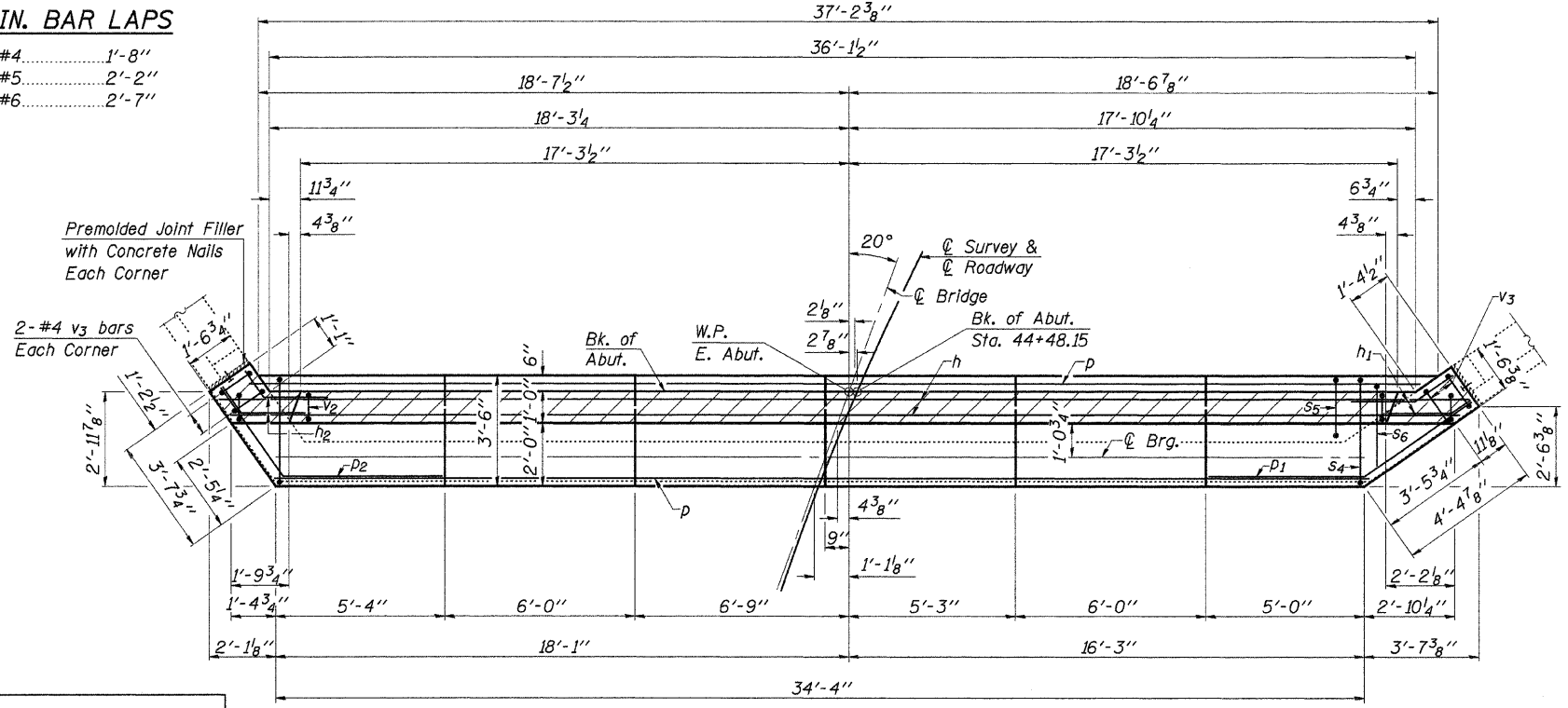
*#6 s6 bars at 1'-6" cts. to be epoxy grouted into existing abutment wall. The cost of epoxy grouting is included with Reinforcement Bars, Epoxy Coated.

EAST ABUTMENT BILL OF MATERIAL

Bar	No.	Size	Length	Shape
h	8	#5	21'-0"	—
h1	8	#5	3'-4"	—
h2	8	#5	3'-1"	—
p	34	#6	21'-3"	—
p1	5	#6	9'-0"	—
p2	5	#6	8'-3"	—
s4	35	#4	9'-2"	□
s5	31	#4	11'-9"	□
s6	24	#6	3'-6"	□
v	39	#4	5'-9"	—
v1	39	#4	5'-0"	—
v2	39	#4	4'-2"	□
v3	4	#4	11'-2"	□
Concrete Structures			Cu. Yd.	31.1
Reinforcement Bars, Epoxy Coated			Pound	2,450

MIN. BAR LAPS

- #4.....1'-8"
- #5.....2'-2"
- #6.....2'-7"



PLAN

Note: See Sheet 10 for Elastomeric Bearing Pad Placement Plan and Offset Sketch.

DESIGNED	J.A.M.
CHECKED	A.R.K.
DRAWN	S.A.P.
CHECKED	A.R.K. & J.A.M.

EAST ABUTMENT DETAILS

COUNTY HIGHWAY 11
SECTION 06-00002-01-BR
DEKALB COUNTY
STATION 43+96

