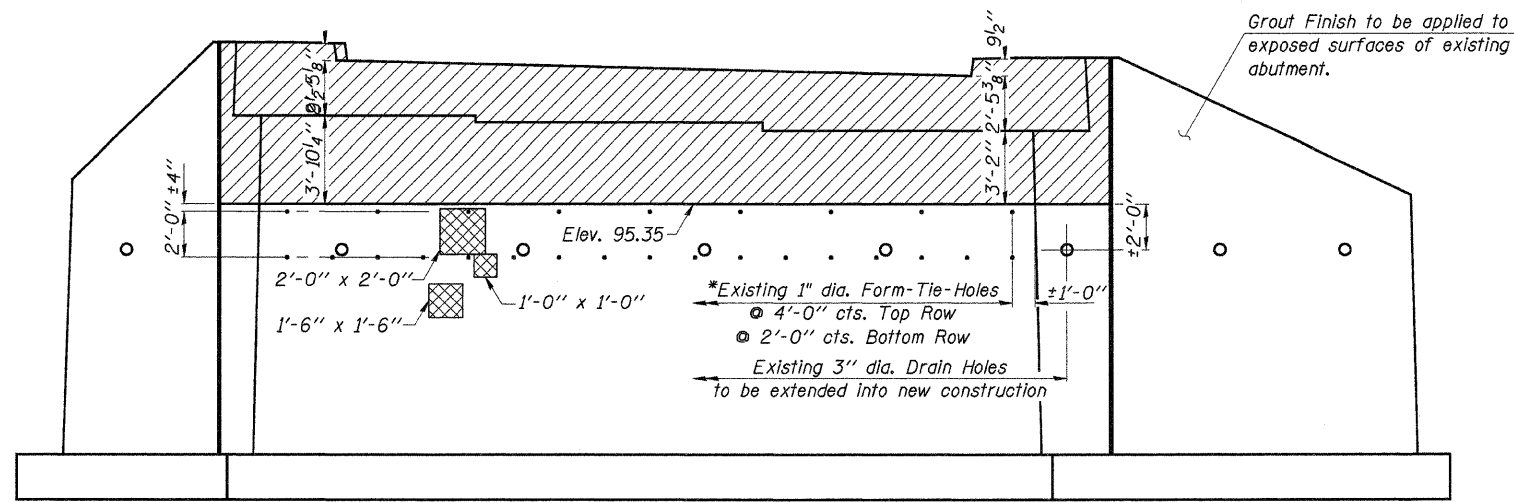
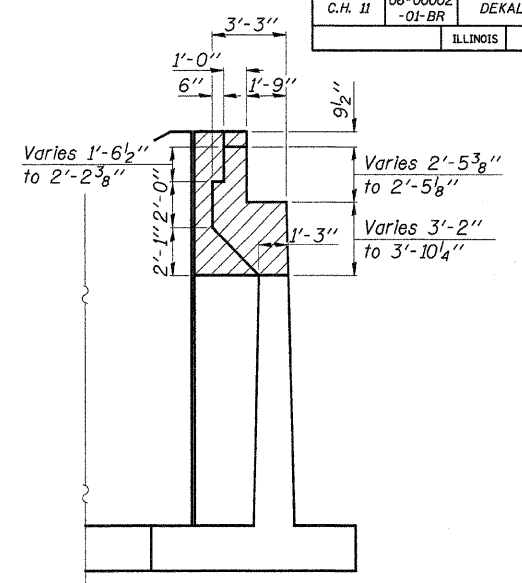


ROUTE NO.	SECTION	COUNTY	TOTAL SHEETS	SHEET NO.
C.H. 11	06-00002-01-BR	DEKALB	20	14
ILLINOIS				

Contract No. 87366



ELEVATION

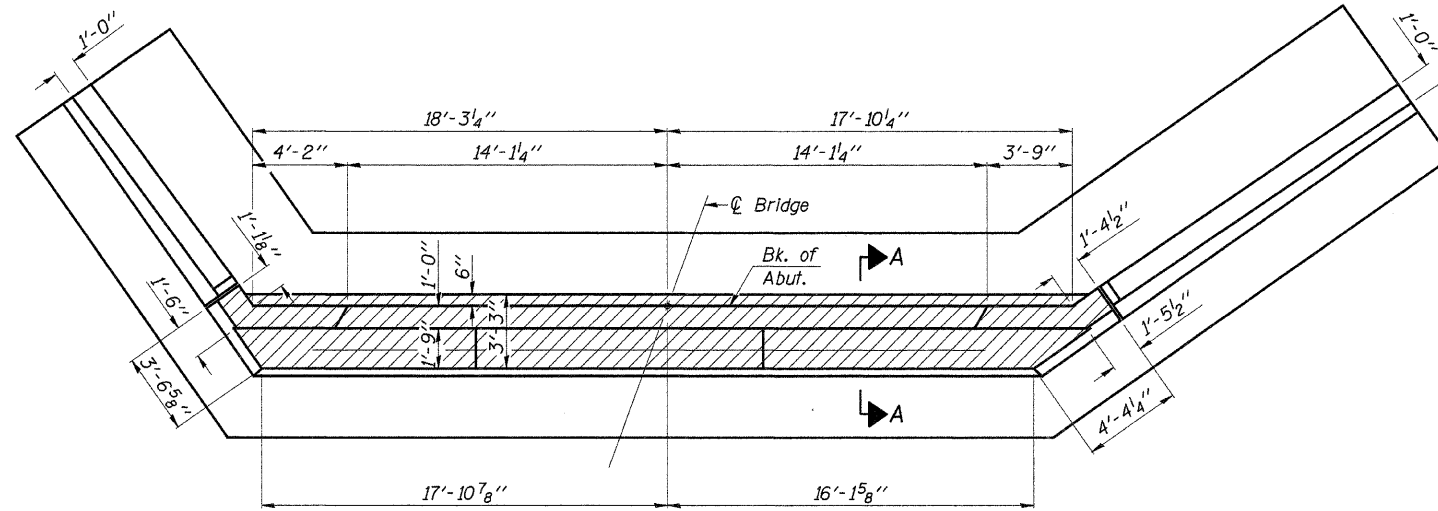


SEC. A-A

Note: Structure Excavation required for Concrete Removal and rehabilitation of the existing abutment is included in the cost of Concrete Structures.

LEGEND

- Hatched Area Indicates Concrete Removal
- Cross Hatched area indicates Structural Repair of Concrete



PLAN

GROUT FINISH FOR EXISTING ABUTMENT SURFACES

After the existing abutment has been rehabilitated to be compatible with new construction, all exposed surfaces of the existing abutment shall receive a grout finish. The following procedures shall be used:

1. All existing surfaces receiving the grout finish shall be cleaned using methods acceptable to the Engineer to remove all dirt, mold, algae, grease, compounds or any bond breaking substance.
2. Sufficient water shall be applied to moisten the existing surfaces prior to application of grout material to prevent absorption of water from the grout.
3. Prepare an adhesive grout mixture having the consistency of thick paint and utilizing 1 part portland cement to 1 1/2 parts fine sand with a 1:1 mixture of bonding admixture and water.
4. During the preparation of the grout mixture, white portland cement shall be added in amounts determined by trial batches so that the color of the dry grout will match adjacent surfaces of the new construction.
5. Apply grout, minimum 1/8 inch thickness, to the existing surfaces.
6. Immediately after applying grout, scrub the surface with a cork float or stone while working grout into surface voids.
7. While grout is still plastic, remove excess grout by working the surface with rubber floats or bundled burlap sacks.
8. After grout whitens, rub the surface with clean burlap and keep surface damp by fog spray or other method approved by the Engineer for a minimum of 48 hours.

*Note: The existing material filling form-tie-holes in the abutment wall shall be removed to a minimum depth of 9 inches. The holes shall then be cleaned and filled with nonshrink grout meeting the requirements of Section 1024 of the Standard Specification of Road Bridge Construction. The temperature of the grout at time of placement shall be a minimum of 50° F and a maximum of 90° F. The inside surface of the holes shall be wetted a minimum of one hour before placement of the nonshrink grout. Prior to placement of the grout, all excess water shall be removed from the interior of the holes. The grout shall be compacted as it is placed within the holes using a rod or other suitable tool. After placement, the grout shall be troweled flush with the surface of the abutment wall. The cost of grouting existing form-tie-holes is included in the cost of Structural Repair of Concrete (Depth Equal To Or Less Than 5 In.).

The area of existing surface to receive a grout finish is estimated to be 398 Sq. Ft at the West Abutment. The cost of applying the grout finish to the existing abutment surfaces is included in the cost of Concrete Structures

DESIGNED	J.A.M.
CHECKED	A.R.K.
DRAWN	S.A.P.
CHECKED	A.R.K. & J.A.M.

EAST ABUTMENT BILL OF MATERIAL

ITEM	UNIT	QUANTITY
Concrete Removal	Cu. Yd.	18
Structural Repair of Concrete (Depth Equal to or less than 5 in.)	Sq. Ft.	8

EAST ABUTMENT CONCRETE REMOVAL AND REPAIR DETAILS
 COUNTY HIGHWAY 11
 SECTION 06-00002-01-BR
 DEKALB COUNTY
 STATION 43+96