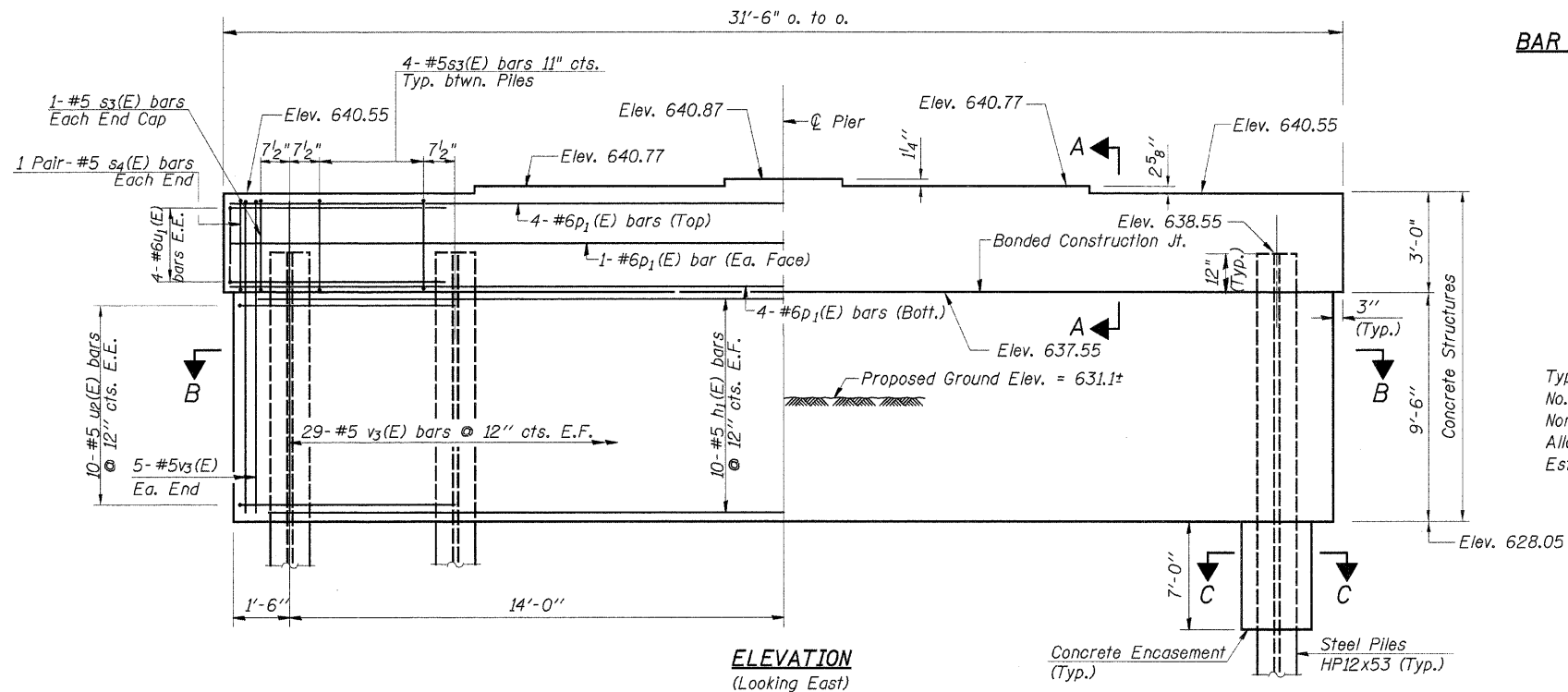
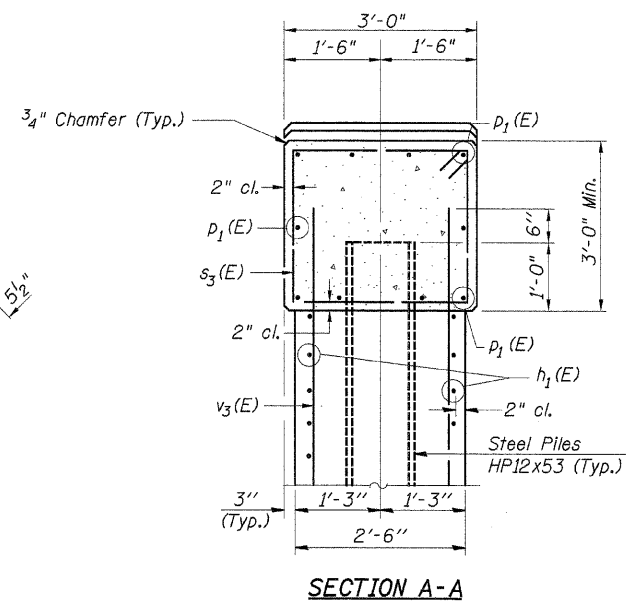
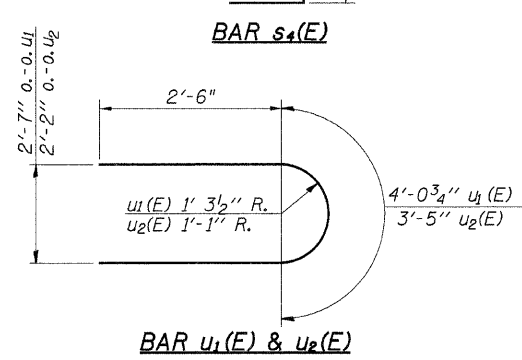


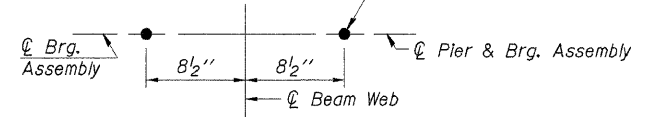
MIN. BAR LAPS
 #5 1'-4"
 #6 1'-7"



NOTES
 Space Reinforcement in cap to miss Anchor Bolts.
 Pour Steps monolithically with cap.
 All edges shall have the standard 3/4" Chamfer except as noted.
 Anchor Bolts at fixed bearings may be built into the masonry.

PILE DATA
 Type..... Steel HP12x53
 No. Req'd..... *8
 Nominal Required Bearing..... 418 kips
 Allowable Resistance Available..... 139 kips
 Est. Length..... 42 Feet/Pile

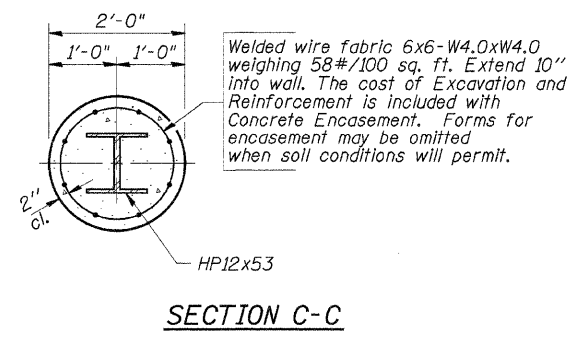
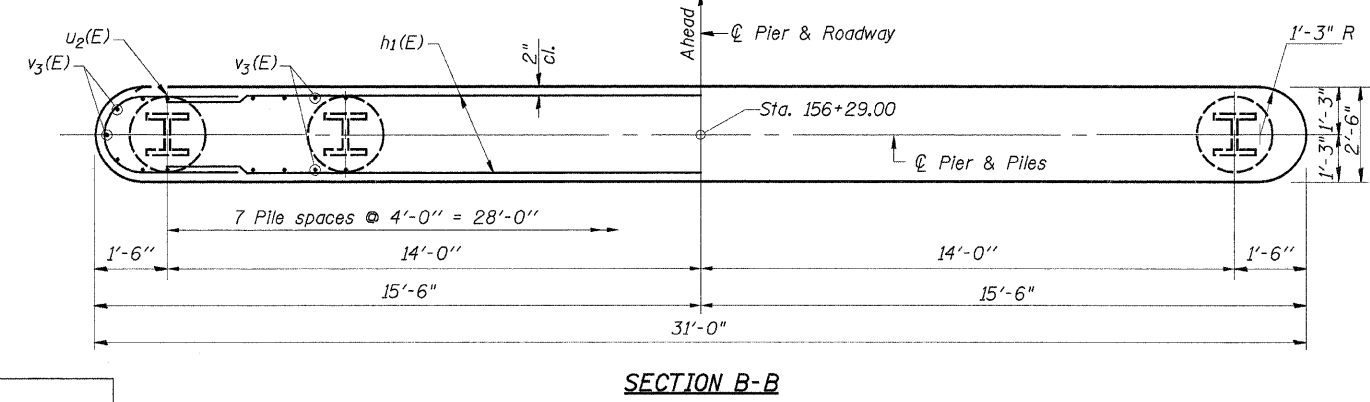
*Includes 1 Test Pile to be driven in a permanent location.
 The steel H-piles shall be according to AASHTO M270 Grade 50.
 Drilled holes for 1/2" x 1'-6" Anchor Bolts Typical Ea. Beam See Sheet 12 of 17



BILL OF MATERIAL

BAR	NO.	SIZE	LENGTH	SHAPE
h ₁ (E)	20	#5	28'-6"	—
p ₁ (E)	10	#6	28'-6"	—
s ₃ (E)	30	#5	11'-7"	□
s ₄ (E)	4	#5	6'-2"	□
u ₁ (E)	8	#6	9'-1"	U
u ₂ (E)	20	#5	8'-5"	U
v ₃ (E)	68	#5	10'-10"	—

Concrete Structures	Cu. Yd.	37.2
Reinforcement Bars, Epoxy Coated	Pound	2,460
Steel Piles HP12x53	Foot	294
Test Pile Steel HP12x53	Each	1
Concrete Encasement	Cu. Yd.	6.3
Underwater Structure Excavation Protection - Location 2	Each	1
Structure Excavation	Cu. Yd.	39



DESIGNED	A.R.K.
CHECKED	F.J.S. & S.F.M.
DRAWN	S.A.P.
CHECKED	A.R.K. & F.J.S.

PIER 2
 SECTION 03-00147-01-BR
 COUNTY HIGHWAY 7
 STARK COUNTY
 STATION 155+75

4440 ASH GROVE
 SPRINGFIELD, IL 62711
 (217) 793-8600
 oasisnc@insightbb.com

Fehr-Graham & Associates, LLC
 ENGINEERING AND SCIENCE CONSULTANTS
 PREPARED BY: ROBERT L. MOORE, P.E.
 FILE: 46808PIER2.DGN

JOB NO.: 46808
 DATE: 10/04/07