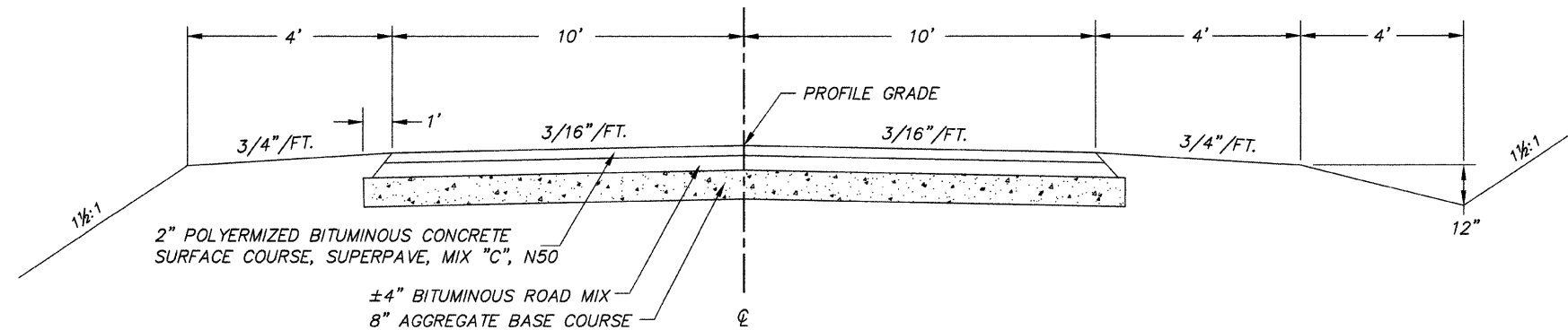


COUNTY	ROUTE	SECTION	SHT. NO.
ADAMS	FAS 581	07-00202-00-BR	2
TYPICAL CROSS SECTION & PAVEMENT DESIGN			
PROJECT NO. BRS-0591(105)			

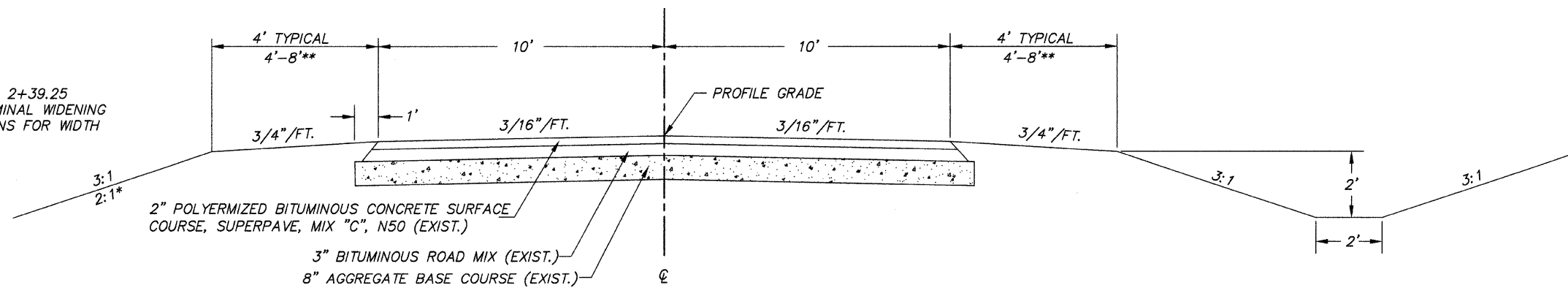
# TYPICAL CROSS SECTIONS



## EXISTING CROSS SECTION

BUILT AS: COUNTY BRIDGE FUND #129  
SECTION 05-00192-00-RS

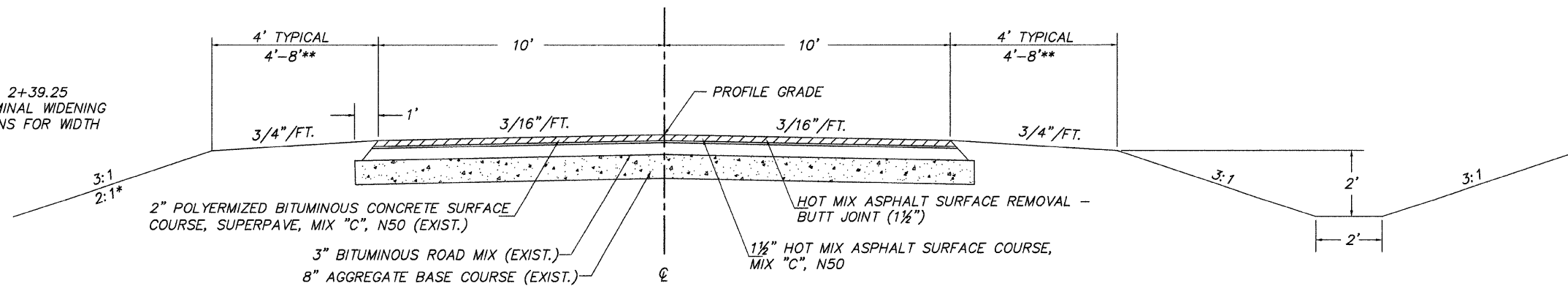
NOTE:  
PAVEMENT MARKING SHALL BE DONE BY OTHERS.



## PROPOSED CROSS SECTION

STA. 0+50 TO STA. 2+00  
STA. 4+00 TO STA. 5+00

\*RT. STA. 1+50 TO 2+39.25  
\*\*VARIES FOR TERMINAL WIDENING  
SEE CROSS SECTIONS FOR WIDTH



## PROPOSED CROSS SECTION

STA. 2+00 TO STA. 2+20.04  
STA. 3+79.96 TO STA. 4+00

\*RT. STA. 1+50 TO 2+39.25  
\*\*VARIES FOR TERMINAL WIDENING  
SEE CROSS SECTIONS FOR WIDTH

### HOT MIX ASPHALT MIXTURE REQUIREMENTS

ITEM	AGG. COMPOSITION	ASPHALT GRADE	VOIDS
SURFACE, MIX "C", N50	IL 9.5 OR 12.5	PG 64-22	4.0%

NOTE: PLAN QUANTITY IS BASED ON 112#/S.Y. FOR 1" THICK