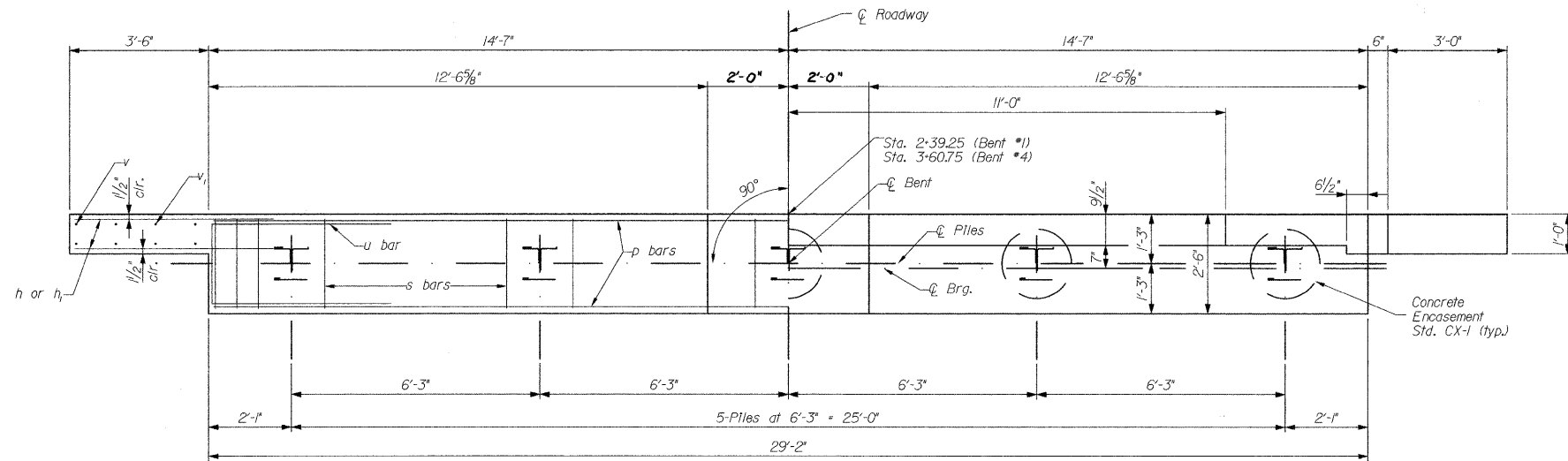
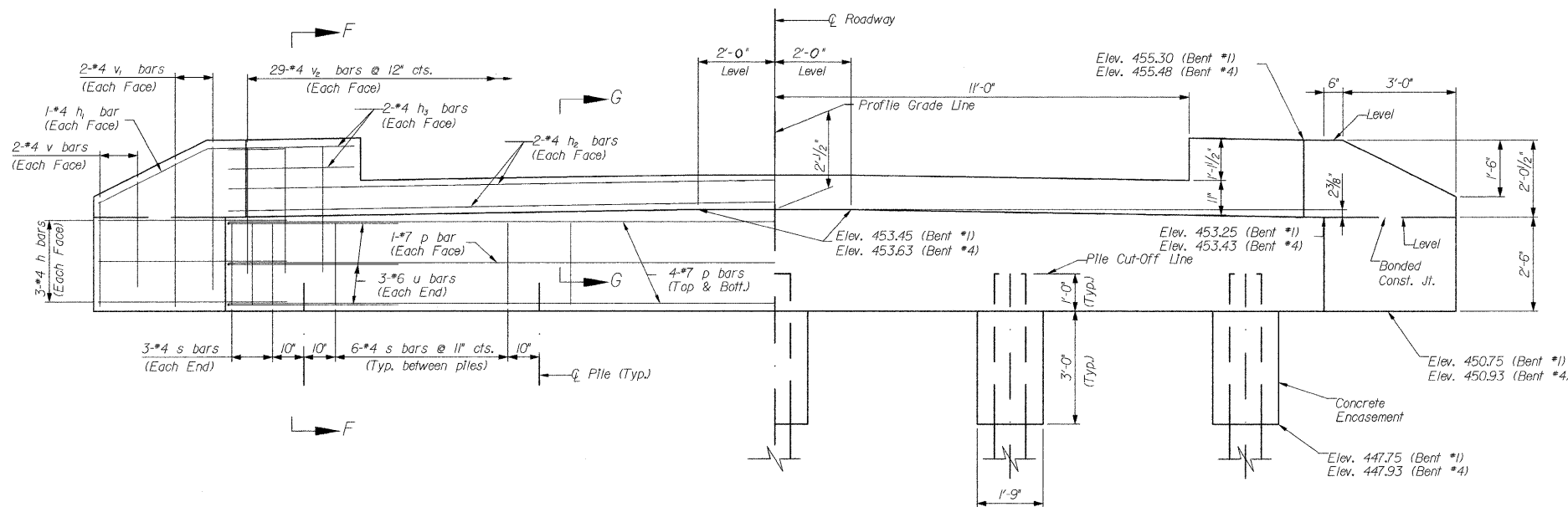


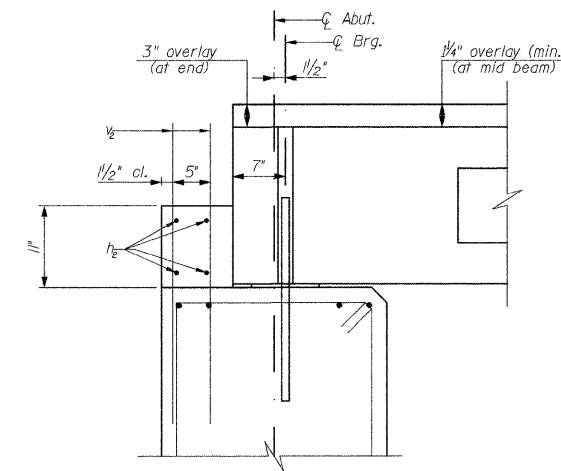
COUNTY	ROUTE	SECTION	SHEET
ADAMS	FAS 591	07-00202-00-BR	15
PROJECT NO. BRS-059(K105)			
ABUTMENT DETAILS - BENTS #1 & #4			



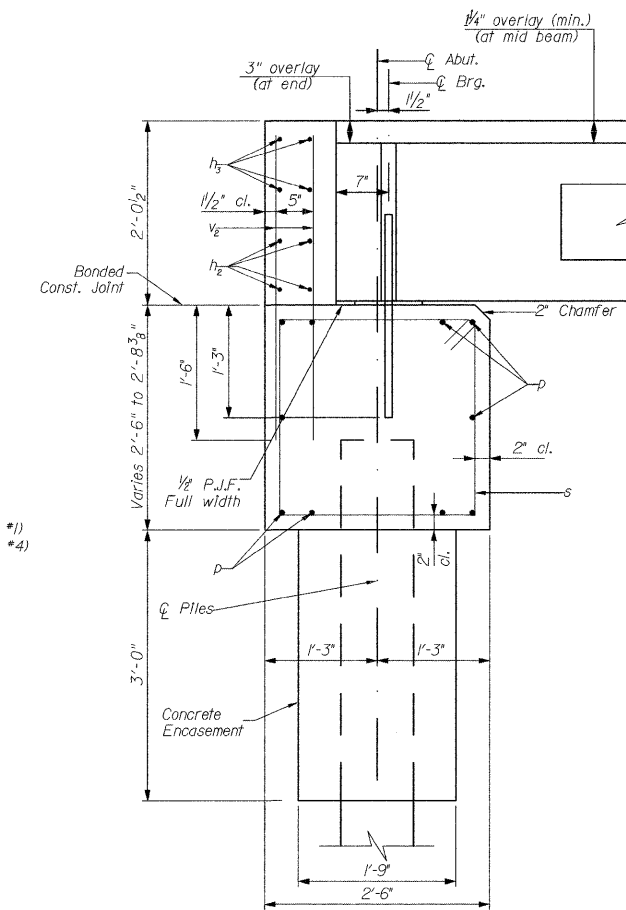
ABUTMENT PLAN
Symmetrical About Centerline



ABUTMENT ELEVATION
Symmetrical About Centerline
Elevations at ϕ Bent



SECTION G-G
(at Right Angles - At Approach Pavement)



SECTION F-F
(at Right Angles)

BILL OF MATERIAL BENT #1

Bar	No.	Size	Length	Shape
h	12	#4	5'-0"	
h ₁	4	#4	5'-3"	
h ₂	4	#4	28'-10"	
h ₃	8	#4	3'-4"	
p	10	#7	24'-9"	
s	30	#4	9'-5"	
u	6	#6	11'-1"	
v	8	#4	2'-9"	
v ₁	8	#4	3'-9"	
v ₂	58	#4	3'-4"	
Concrete Structures		Cu. Yd.	9.4	
Concrete Encasement		Cu. Yd.	1.3	
Reinforcement Bars		Pound	1110	
Furnishing Steel Piles HPI0x42		Foot	76	
Driving Piles		Foot	76	
Test Pile HPI0x42		Each	1	
Pile Shoes		Each	5	

BILL OF MATERIAL BENT #4

Bar	No.	Size	Length	Shape
h	12	#4	5'-0"	
h ₁	4	#4	5'-3"	
h ₂	4	#4	28'-10"	
h ₃	8	#4	3'-4"	
p	10	#7	24'-9"	
s	30	#4	9'-5"	
u	6	#6	11'-1"	
v	8	#4	2'-9"	
v ₁	8	#4	3'-9"	
v ₂	58	#4	3'-4"	
Concrete Structures		Cu. Yd.	9.4	
Concrete Encasement		Cu. Yd.	1.3	
Reinforcement Bars		Pound	1110	
Furnishing Steel Piles HPI0x42		Foot	116	
Driving Piles		Foot	116	
Test Pile HPI0x42		Each	1	
Pile Shoes		Each	5	

NOTES

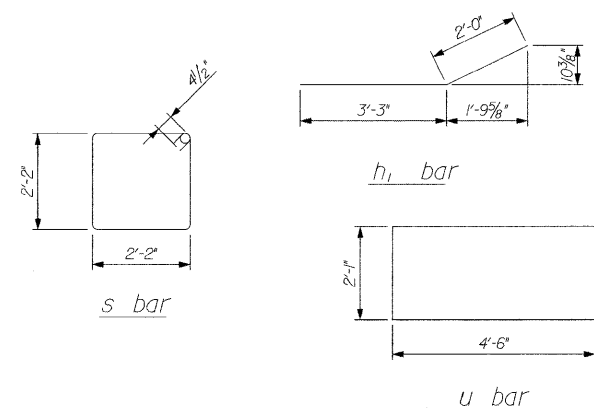
- The Backwall and the portion of the Wingwalls above the bonded construction joint shall be cast against the in-place beam.
- Reinforcement bars shall conform to the requirements of ASTM A706.
- Space reinforcement in cap to miss anchor bolts.

DESIGN STRESSES

$f'_c = 3,500$ psi
 $f_y = 60,000$ psi

PILE DATA

	Bent #1	Bent #4
Pile Type and Size:	HP 10x42 with pile shoes	HP 10x42 with pile shoes
Nominal Required Bearing:	335 klps	335 klps
Factored Resistance Available:	Refusal (168 klps)	Refusal (168 klps)
Estimated Pile Length:	19 Ft./Pile	29 Ft./Pile
Number of Production Piles:	4	4
Number of Test Piles:	1	1



REVISIONS	
NAME	DATE

ABUTMENT DETAILS - BENTS #1 & #4

FAS 591 OVER
TOURNEAR CREEK
SEC 07-00202-00-BR
ADAMS COUNTY
STA 3+00
STRUCTURE NUMBER 001-3337
SCALE: VERT. N/A
 HORIZ. N/A
DATE: APR 2008
DRAWN BY JLS
CHECKED BY CSB

PSBA Project No: R-08-011