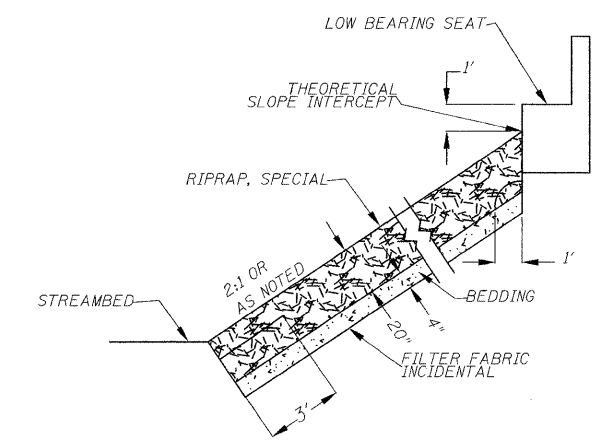
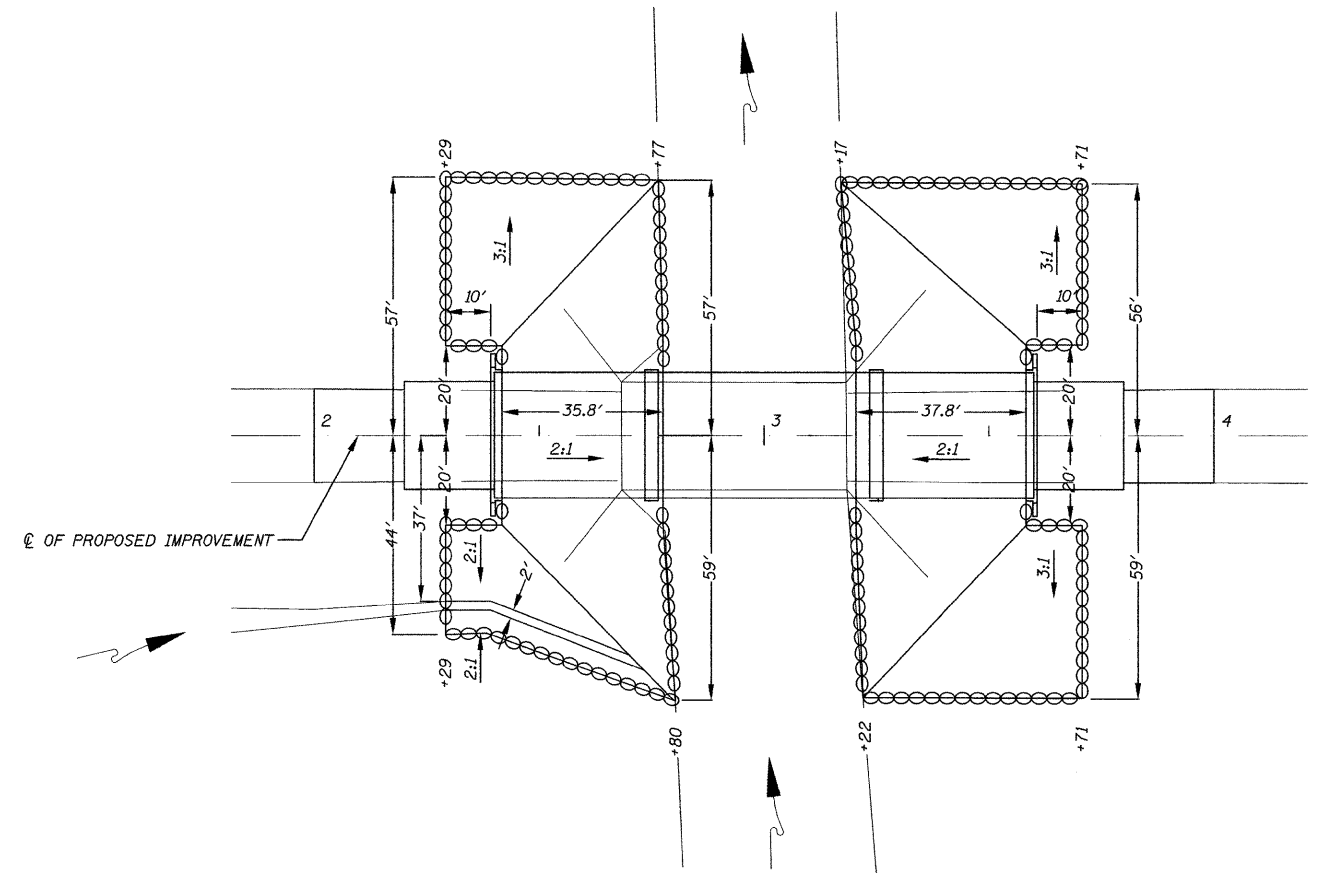


COUNTY	ROUTE	SECTION	SHEET
ADAMS	FAS 591	07-00202-00-BR	18
PROJECT NO. BRS-059K105			
RIPRAP PLAN & BORING LOGS			



RIPRAP PLACEMENT DETAIL

Boring No. 1 Station 2+34 12 Ft. Lt. *		Depth	Op. t.s.f.	Dry Density P.C.F.	Sample			
	Number				Type	Blows/Ft.	Qu. T.S.F.	Water Content
Ground Elev.	455.1	0						
Fill: Yellow Brown Silty Sandy Clay (CL)								
	450.1	5			1	SS	3	19.4
Fill: Yellow Brown Silty Sandy Clay w/Occasional Gravel Layers (CL)								
		10			2	SS	12	9.8
Gravelly, Stiff (CL)								
		15	1.25	106.4	3	SS	7	13.6
Stiff (CL)								
More Gravel Below 17.5 Ft.								
	436.1	20						
Gray to Yellow Brown Weathered Limestone w/Clay Seams, Hard	434.1				4	SS	69	15.1
Rig Refusal @ 21 Ft. End Boring @ 21 Ft.								

Boring No. 2 Station 3+52 14 Ft. Rt. *		Depth	Op. t.s.f.	Dry Density P.C.F.	Sample			
	Number				Type	Blows/Ft.	Qu. T.S.F.	Water Content
Ground Elev.	455.6	0						
Fill: Yellow Brown Silty Sandy Clay (CL)								
		5						
Trace of Gravel, Medium (CL)			1.50	104.7	1	SS	3	0.79
	448.1							
Fill: Gray Clayey Sand and Clayey Silt w/Gravel (SC-SM)								
Medium Dense (SC-SM)		10			2	SS	14	16.0
	440.6							
Gray Silty Fine Sand, Medium Dense (SM)								
		15			3	SS	10	12.3
	435.6							
Light Gray Mottled Yellow Brown Clayey Silty w/Sand Seams, Medium (ML)			0.50	105.6	4	SS	5	0.82
	430.6							
Gray Mottled Tan Sand & Gravel, Medium Dense (SP-GP)								
		25			5	SS	23	13.9
	425.6							
Yellow Brown Weathered Limestone	424.6							
Rig Refusal @ 31 Ft. End Boring @ 31 Ft.								

SUMMARY OF QUANTITIES

PAY ITEM	BENT #1	BENT #4	TOTAL
RIPRAP, SPECIAL	585 TON	651 TON	1,236 TON
FILTER FABRIC	601 S.Y.	669 S.Y.	1,270 S.Y.

\* INCIDENTAL TO UNIT PRICE BID FOR RIPRAP, SPECIAL

GENERAL NOTES:

1. LAYOUT OF THE SLOPE PROTECTION SYSTEM MAY BE VARIED TO SUIT GROUND CONDITIONS IN THE FIELD AS DIRECTED BY THE ENGINEER.

REVISIONS	
NAME	DATE

RIPRAP PLAN & BORING LOGS

FAS 591 OVER  
TOURNEAR CREEK  
SEC 07-00202-00-BR  
ADAMS COUNTY  
STA 3+00  
STRUCTURE NUMBER 001-3337  
SCALE: VERT. N/A  
          HORIZ. N/A  
DATE: APR 2008  
DRAWN BY JLS  
CHECKED BY CSB

PSBA Project No.: R-08-011