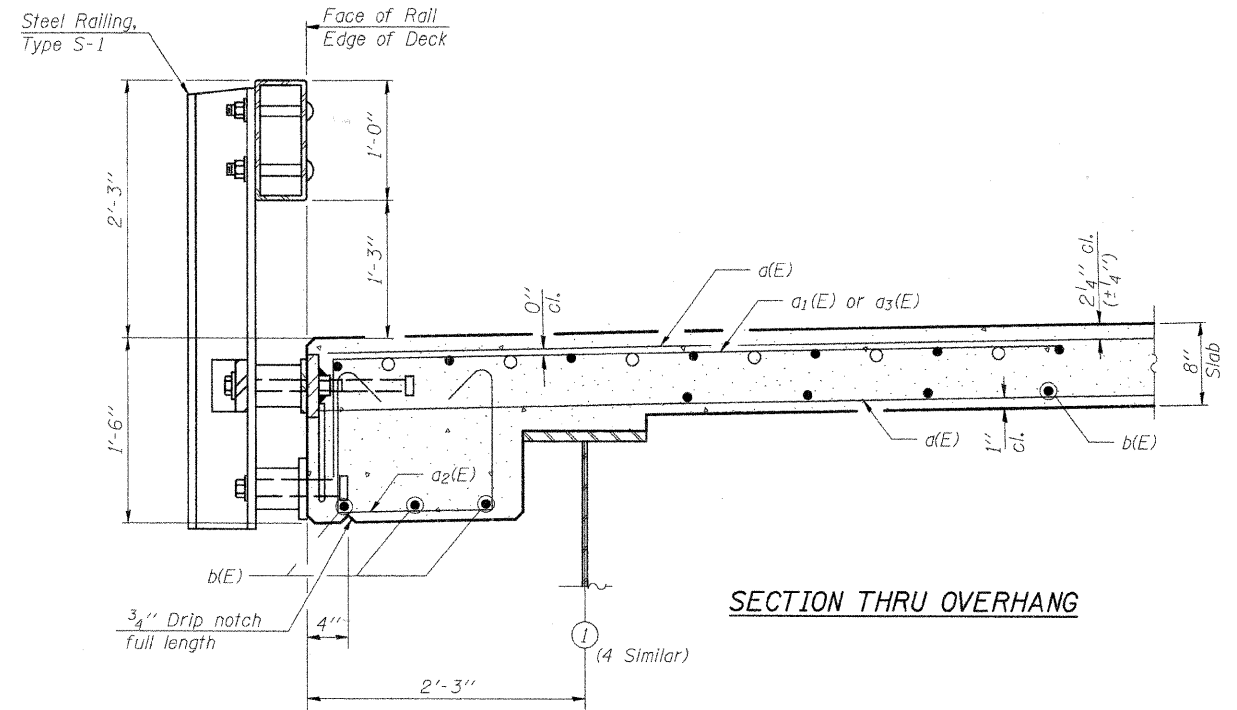
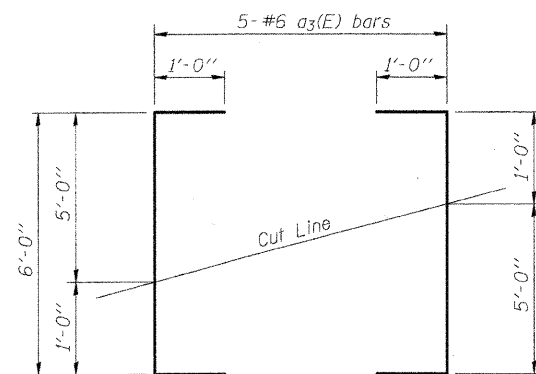


SECTION A-A

(Dimension at Rt. 1's to back of abutment unless otherwise noted)

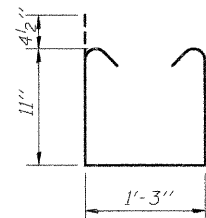


SECTION THRU OVERHANG

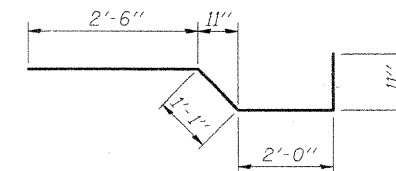


FIELD CUTTING DIAGRAM

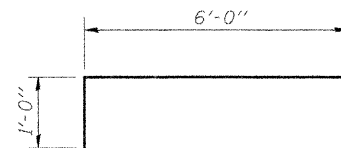
Order a3(E) full length. Cut as shown and use remainder of bars at opposite end of deck.



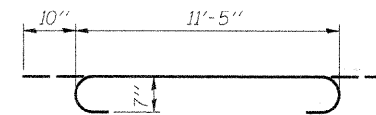
BAR a2(E)



BAR x1(E)



BAR a1(E)



a6(E) BAR

SUPERSTRUCTURE BILL OF MATERIAL

Bar	No.	Size	Length	Shape
a1(E)	1595	#5	29'-8"	—
a1(E)	876	#6	7'-0"	—
a2(E)	710	#4	3'-10"	U
a3(E)	5	#6	8'-0"	—
a4(E)	2	#7	42'-0"	—
a5(E)	8	#9	42'-0"	—
a6(E)	18	#7	13'-1"	—
b(E)	510	#5	28'-3"	—
b1(E)	496	#5	29'-9"	—
b2(E)	240	#6	25'-6"	—
x1(E)	62	#5	6'-6"	—
Reinforcement Bars, Epoxy Coated			Pound	102270
Concrete Superstructure			Cu. Yd.	389.6

SUPERSTRUCTURE DETAILS
 F.A.S. 662 (TR 61) OVER EMBARRAS RIVER
 CUMBERLAND COUNTY
 SECTION 01-00061-00-BR
 STA. 470+75.00
 STRUCTURE NUMBER 018-3191
 PROFESSIONAL DESIGN FIRM LICENSE #184-001084

© Copyright Hanson Professional Services Inc. 2008

Hanson Professional Services Inc.

JOB NO. 01S2021B
 DATE 02/04/08

04/04/2008 03:06 PM
 A:\01061\01S2021\01S2021\Struct\Sheet\Over_Embarras_River_Plan.dgn
 LAYOUT 11/30/07
 DRAWN DAP 12/28/07
 REVIEWED JMM 02/04/08