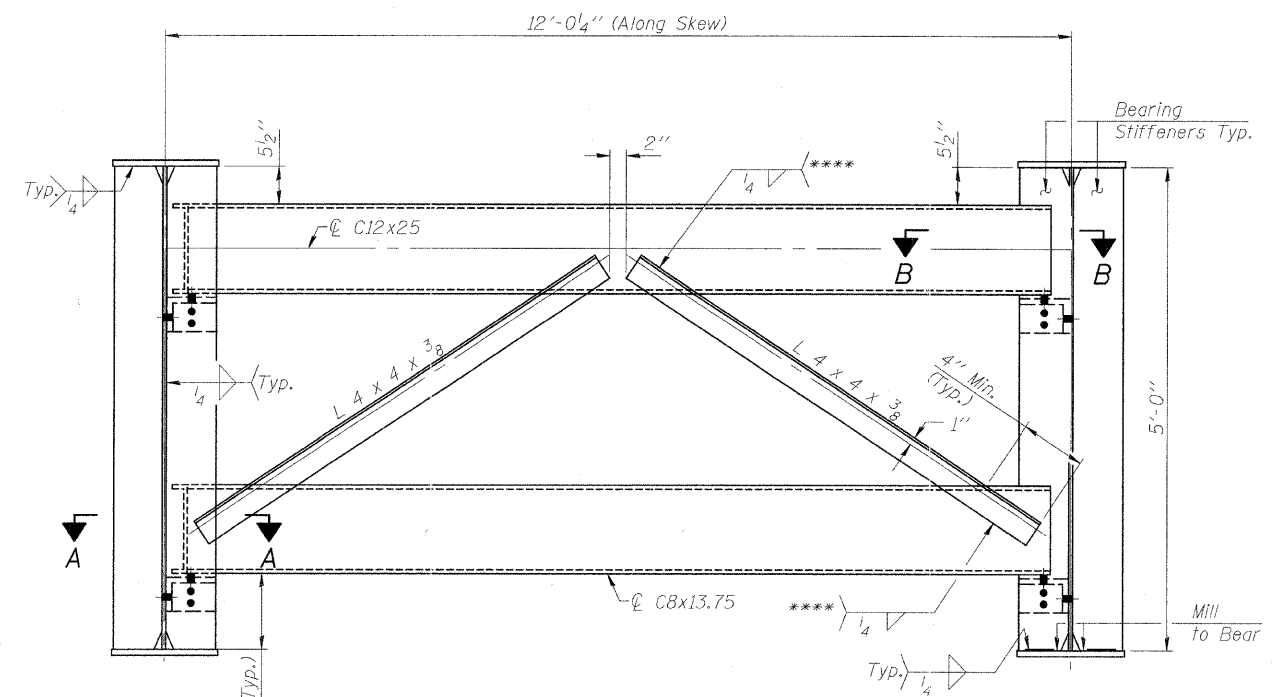
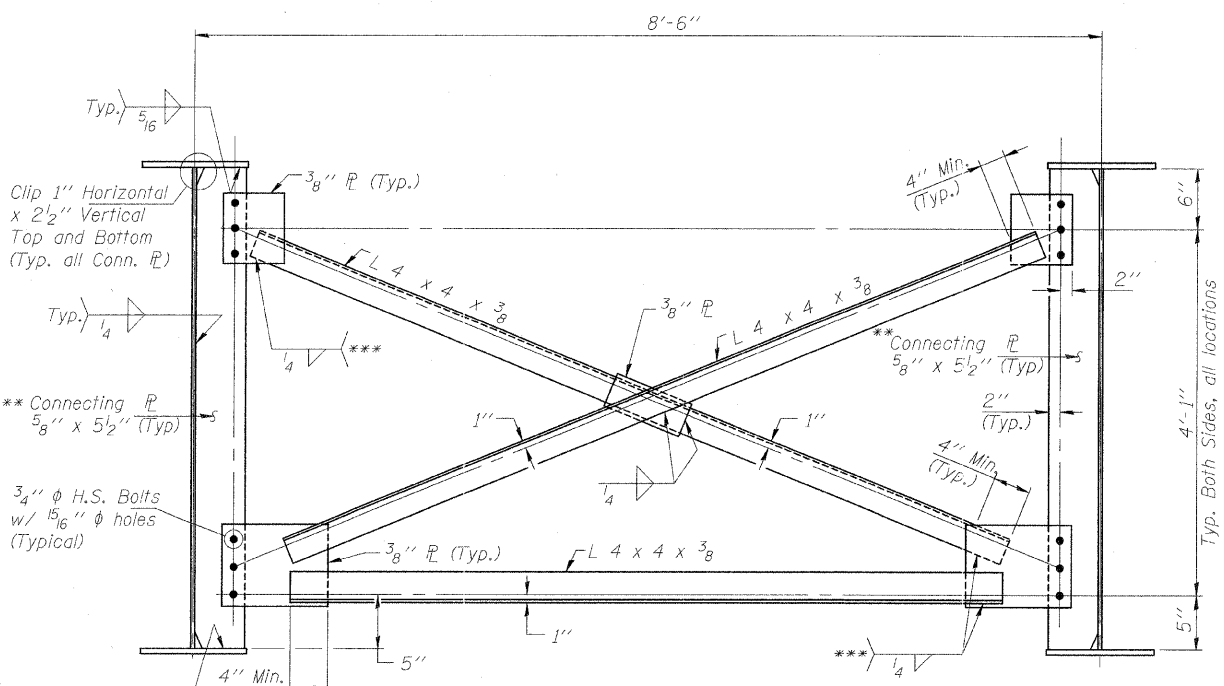


ROUTE NO.	SECTION	COUNTY	TOTAL SHEETS	SHEET NO.	SHEET NO. 13
FAS 662 (TR 61)	*	CUMBERLAND	85	43	26 SHEETS
FED. ROAD DIST. NO. 7	BUILDING	FED. AID PROJECT			

* Section 01-00061-00-BR Contract #95552

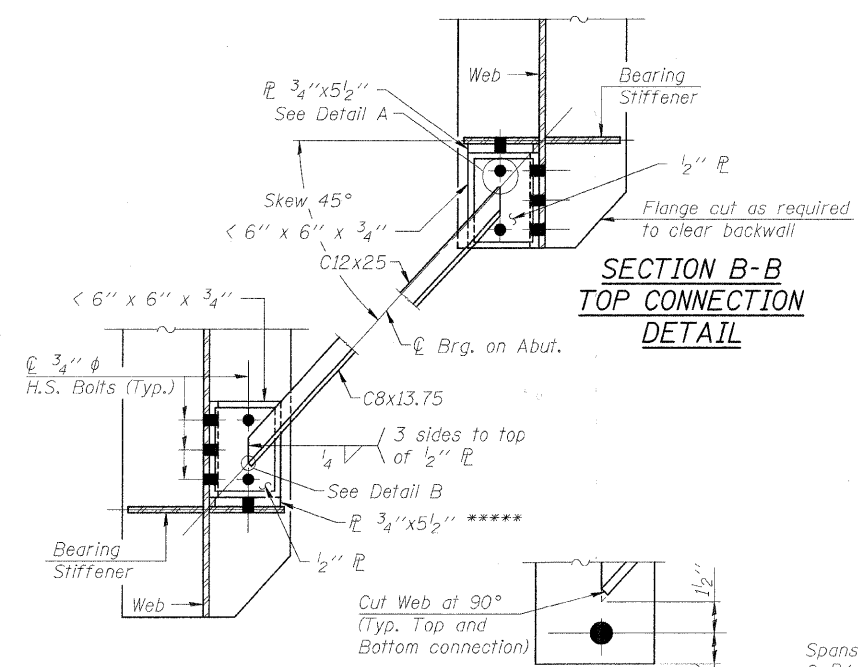


END CROSS FRAME CF-1
(6 Required)
**** 3 sides, to back face of channel only, Typ.

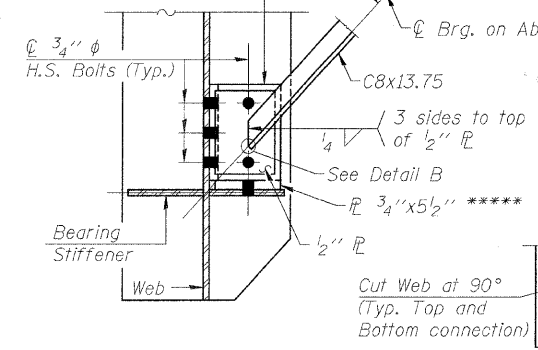


**Connecting Plate not required on outside of exterior girder.
*** Fillet weld angles along 3 sides on one face of gusset plate.

INTERIOR CROSS FRAME CF-2
(63 Required)

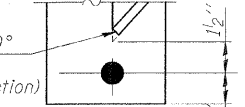


SECTION B-B TOP CONNECTION DETAIL

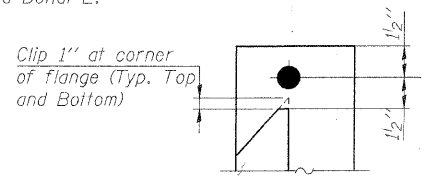


SECTION A-A BOTTOM CONNECTION DETAIL

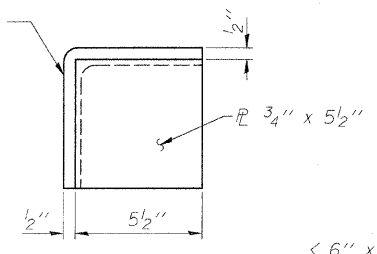
***** Weld 3/4" x 5 1/2" plate to seat as shown in Detail D and Detail E.



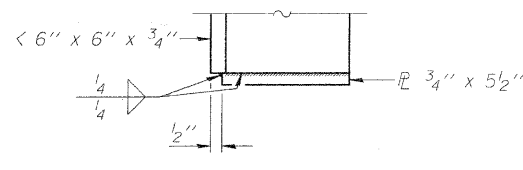
DETAIL B



DETAIL A

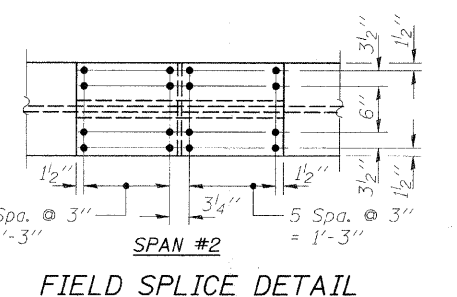
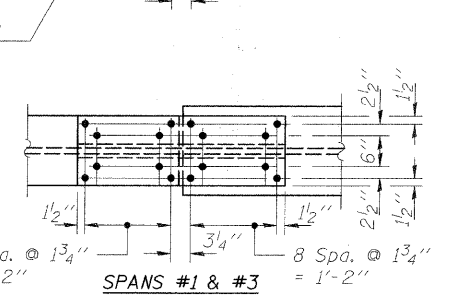
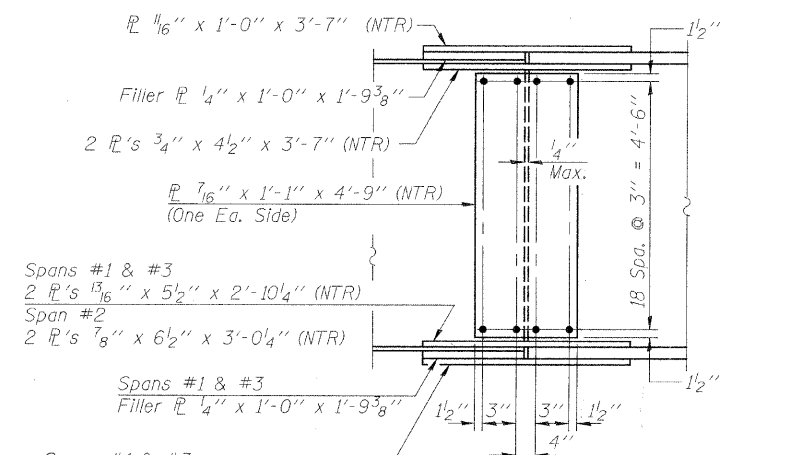
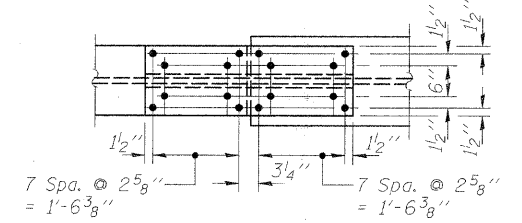


DETAIL D



DETAIL E

Notes:
Use 7/8" H.S. Bolts with 15/16" holes for all Splice Connections. Two hardened washers shall be required over all oversized holes. Load carrying components designated "NTR" shall conform to the Supplemental Requirements for Notch Toughness, Zone 2. Place diaphragm with projected legs outward from abutment backwall. Use 3/4" H.S. Bolts with 15/16" holes for all cross frame connections.



FIELD SPLICE DETAIL

STRUCTURAL STEEL DETAILS (SHEET 1)
F.A.S. 662 (TR 61) OVER EMBARRAS RIVER
CUMBERLAND COUNTY
SECTION 01-00061-00-BR
STA. 470+75.00
STRUCTURE NUMBER 018-3191
PROFESSIONAL DESIGN FIRM LICENSE #184-001084

© Copyright Hanson Professional Services Inc. 2008

Hanson Professional Services Inc.

JOB NO. 01S201B
DATE 04/30/08

05/02/2008 01:18 PM
i:\0\lob\01S201B\Road\Struct\Sheet\River_Bridge_Plans.dgn
LAYOUT MAM 11/30/07
DRAWN DAP 12/28/07
REVIEWED JMM 02/04/08