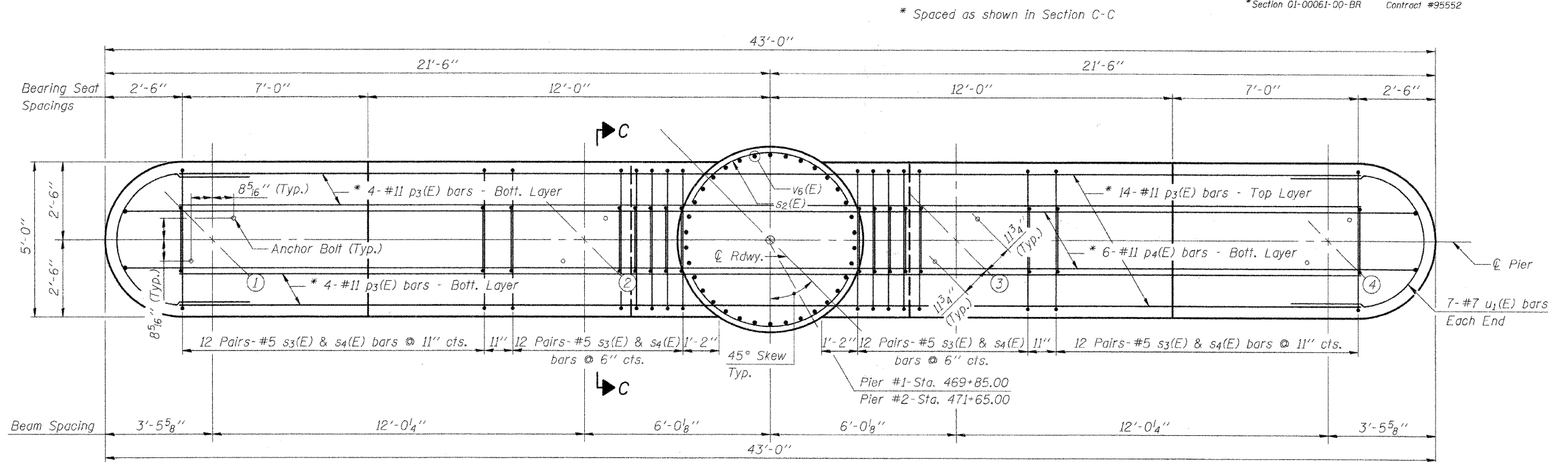
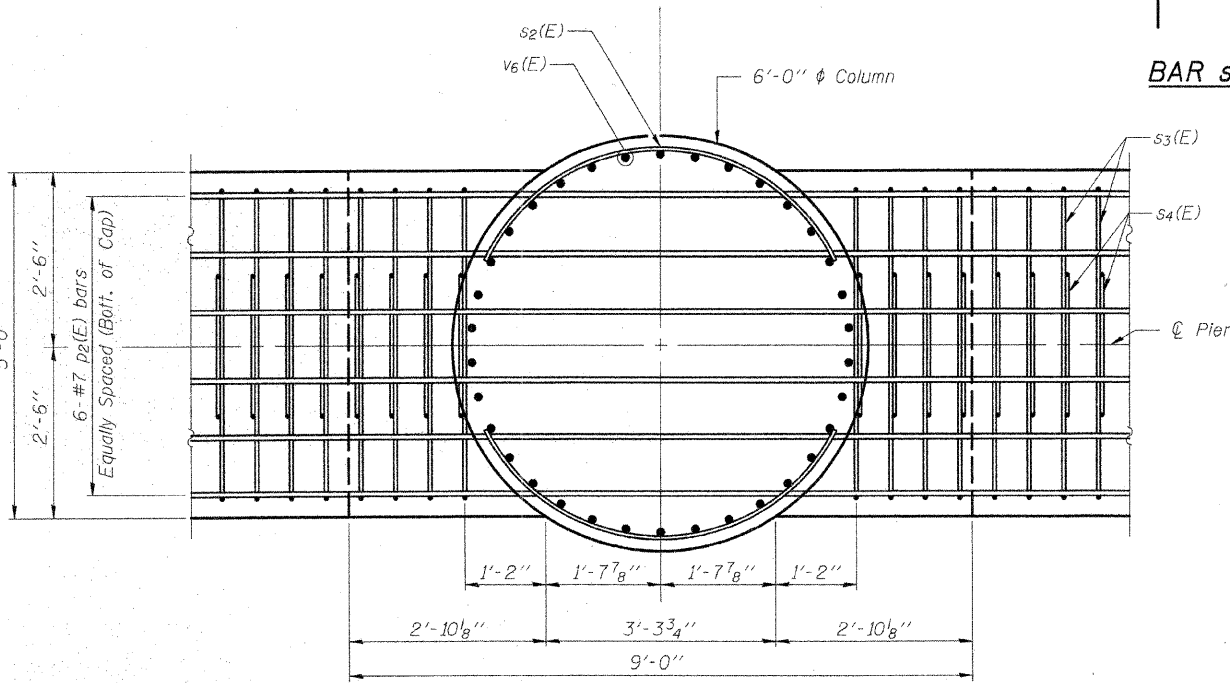


**SECTION C-C**



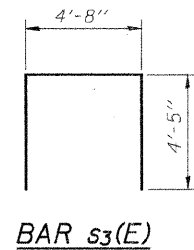
**PLAN OF CAP**

Showing Reinforcement in Top of Cap.

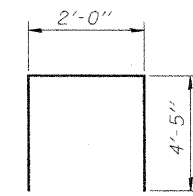


**SECTION D-D**

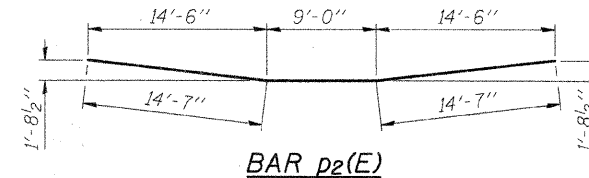
Showing Reinforcement in Bottom of Cap.



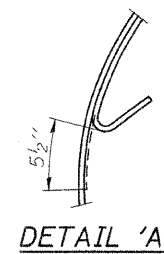
**BAR s3(E)**



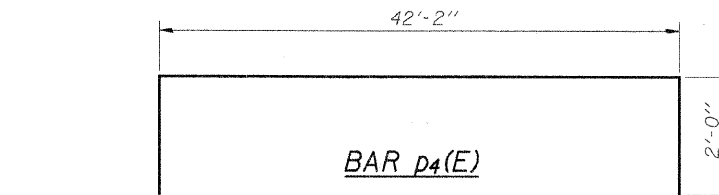
**BAR s4(E)**



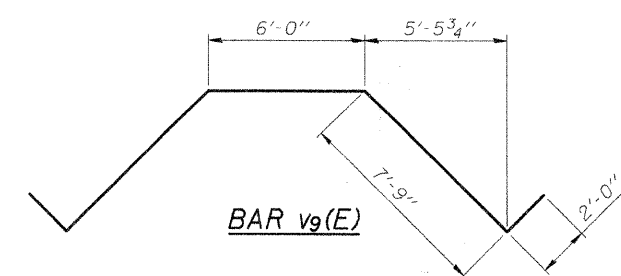
**BAR p2(E)**



**DETAIL 'A'**



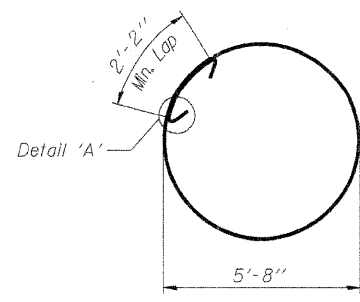
**BAR p4(E)**



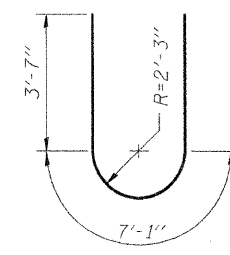
**BAR v9(E)**

**MIN. BAR LAPS**

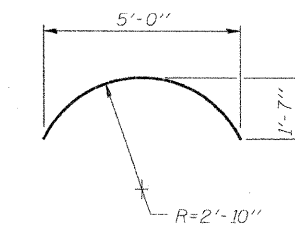
- #5 Bar - 2'-2"
- #7 Bar - 3'-5"
- #10 Bar - 7'-3"
- #11 Bar - 9'-0"



**BARS s1(E) or s5**



**BAR u1(E)**



**BAR s2(E)**

**2 PIERS - BILL OF MATERIAL**

Bar No.	Size	Length	Shape
h3(E)	4 #7	23'-2"	—
h4(E)	24 #7	38'-0"	—
p2(E)	12 #7	38'-2"	—
p3(E)	44 #11	38'-0"	—
p4(E)	12 #11	46'-2"	—
s1(E)	14 #5	20'-11"	○
s2(E)	32 #5	6'-4"	○
s3(E)	192 #5	13'-6"	○
s4(E)	192 #5	10'-10"	○
s5	176 #5	20'-11"	○
u1(E)	28 #7	14'-3"	—
v6(E)	68 #10	19'-3"	—
v7	68 #11	43'-5"	—
v8	68 #11	52'-5"	—
v9(E)	8 #11	25'-6"	—
Concrete Structures	Cu. Yd.	110.9	
Reinforcement Bars, Epoxy Coated	Pound	27740	
Reinforcement Bars	Pounds	38460	
Drilled Shaft in Soil	Cu. Yd.	198.6	
Drilled Shaft in Rock	Cu. Yd.	12.6	

Cast steps monolithically with cap. Space cap reinforcement to miss anchor bolts.

**PIER DETAILS**  
 F.A.S. 662 (TR 61) OVER EMBARRAS RIVER  
 CUMBERLAND COUNTY  
 SECTION 01-00061-00-BR  
 STA. 470+75.00  
 STRUCTURE NUMBER 018-3191  
 PROFESSIONAL DESIGN FIRM LICENSE #184-001084

© Copyright Hanson Professional Services Inc. 2008

**HANSON**  
 Hanson Professional Services Inc.

JOB NO. 01S2021B  
 DATE 02/04/08

04/01/2008 03:06 PM  
 Adddate 01S2021B to each Structure Sheet  
 11/30/07  
 DAP 12/28/07  
 JMM 02/04/08