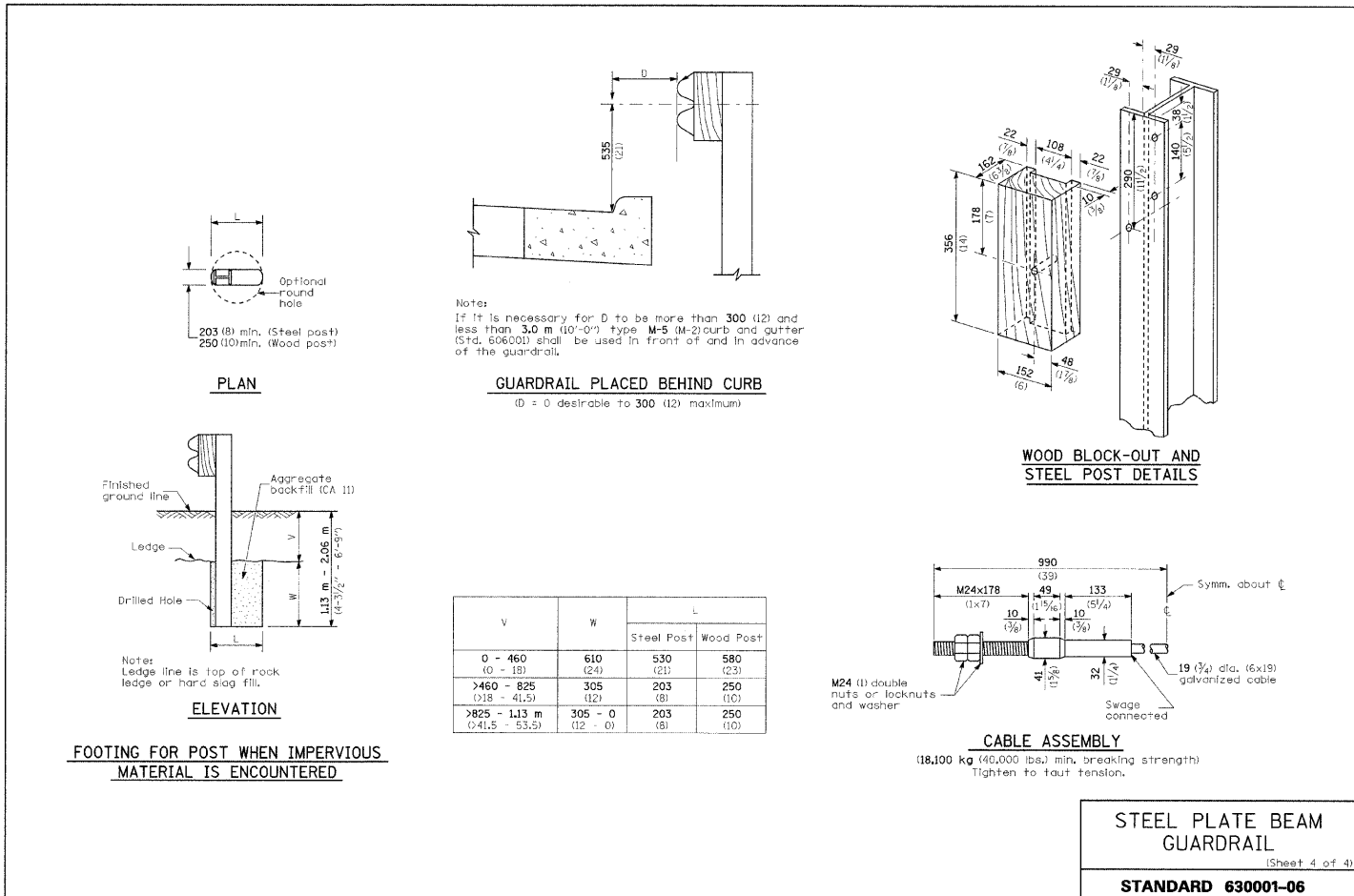
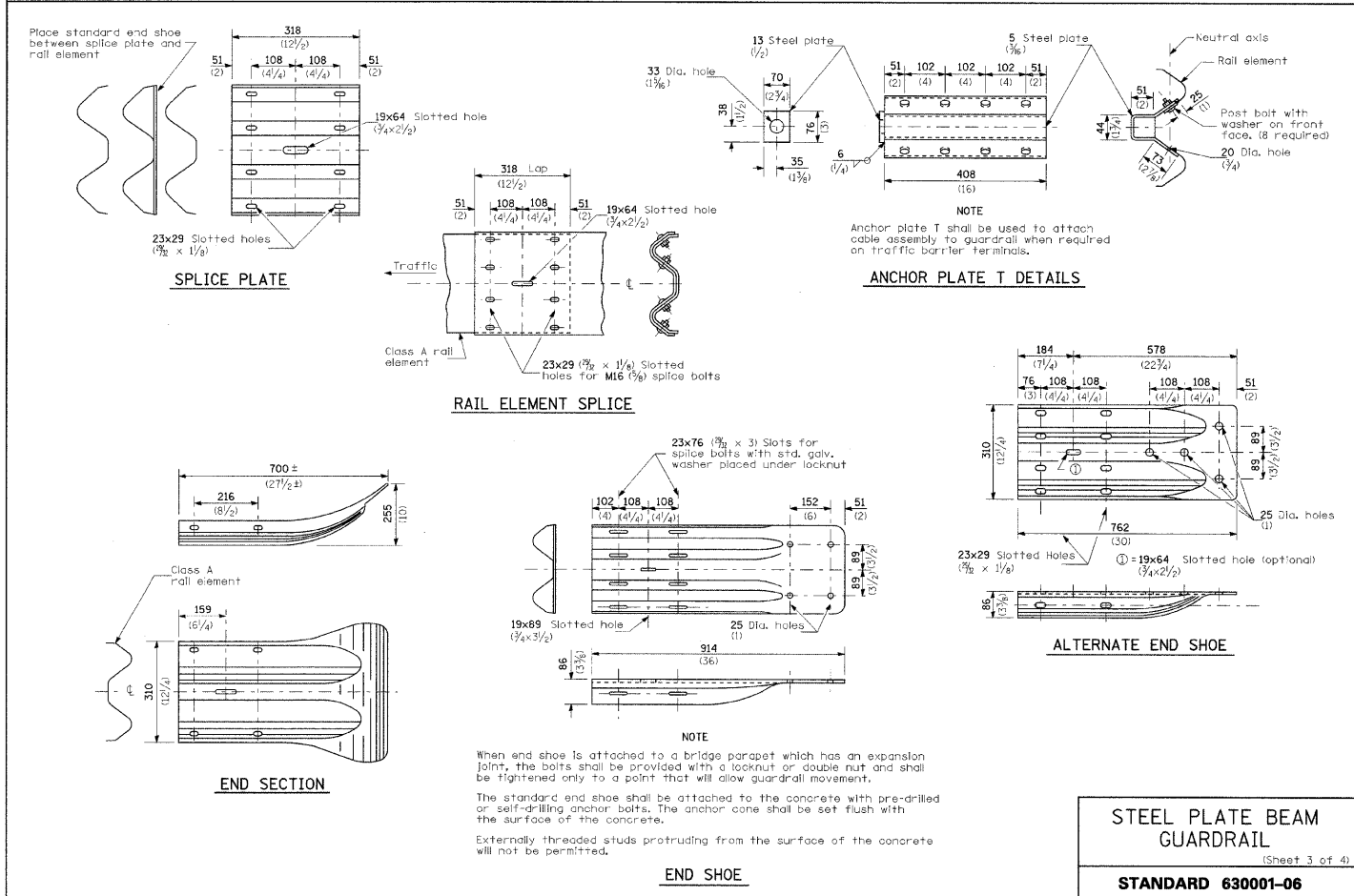
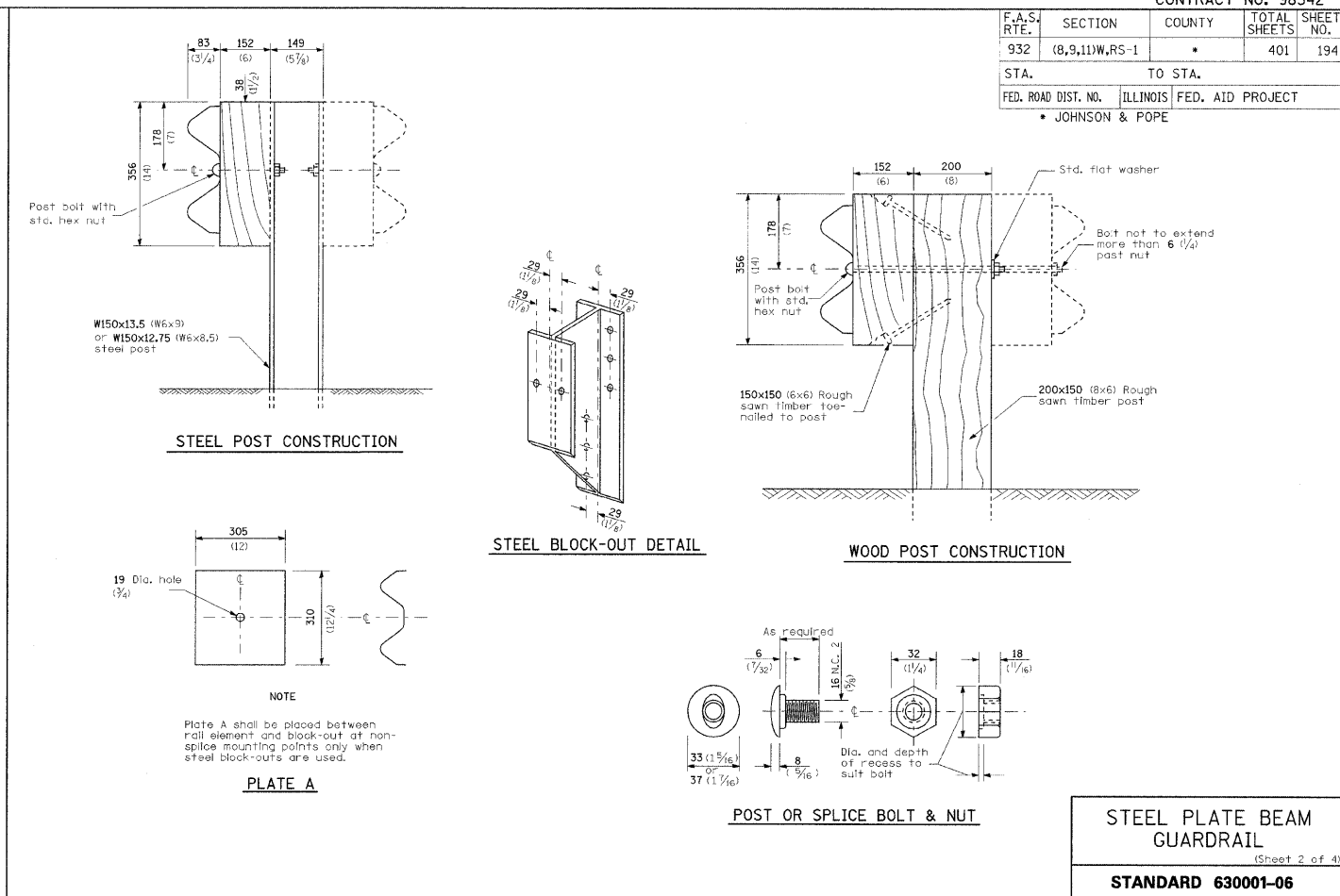
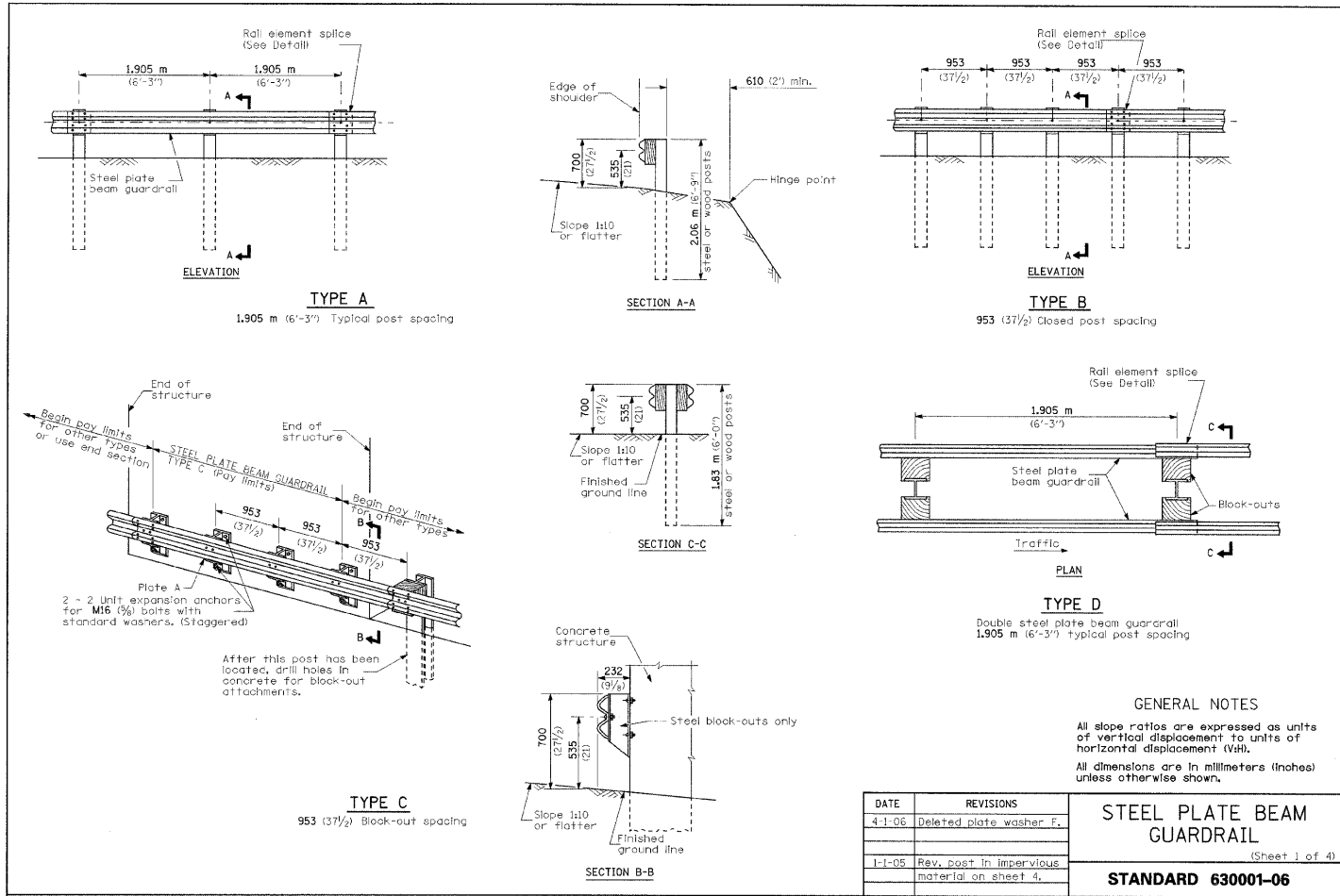


F.A.S. RTE.	SECTION	COUNTY	TOTAL SHEETS	SHEET NO.
932	(8,9,11)W,RS-1	*	401	194
STA.		TO STA.		
FED. ROAD DIST. NO. ILLINOIS FED. AID PROJECT				
* JOHNSON & POPE				



PLOT DATE = 8/28/2009  
FILE NAME = c:\p0329854-83-83-dwg\329854.dwg  
PLOT SCALE = 50.0000  
USER NAME = rjlliv