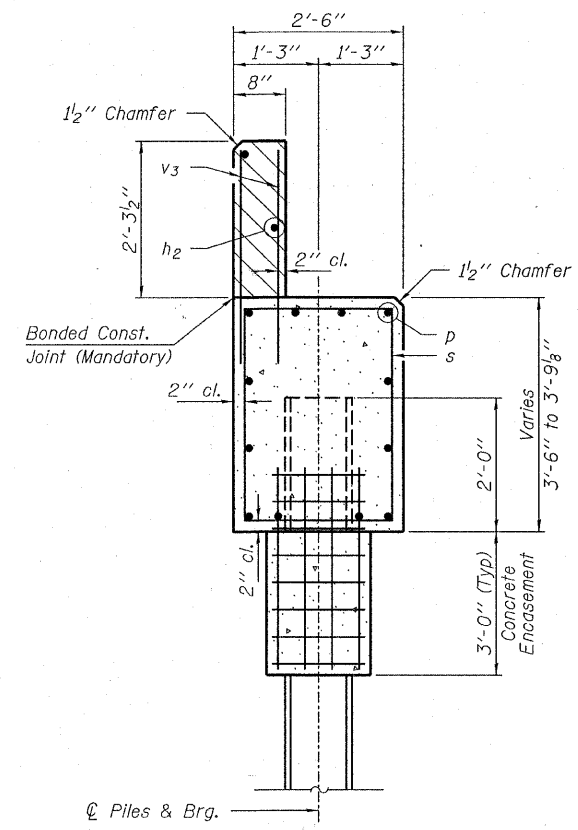
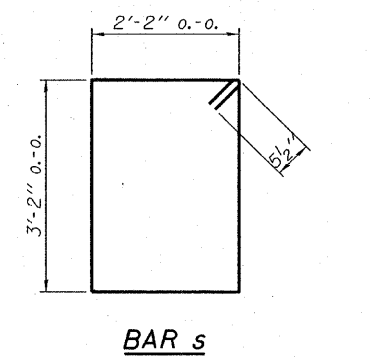


**PLAN**

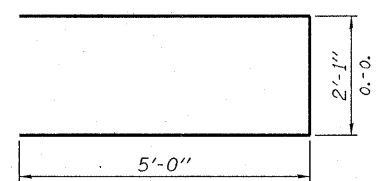


**SECTION A-A**

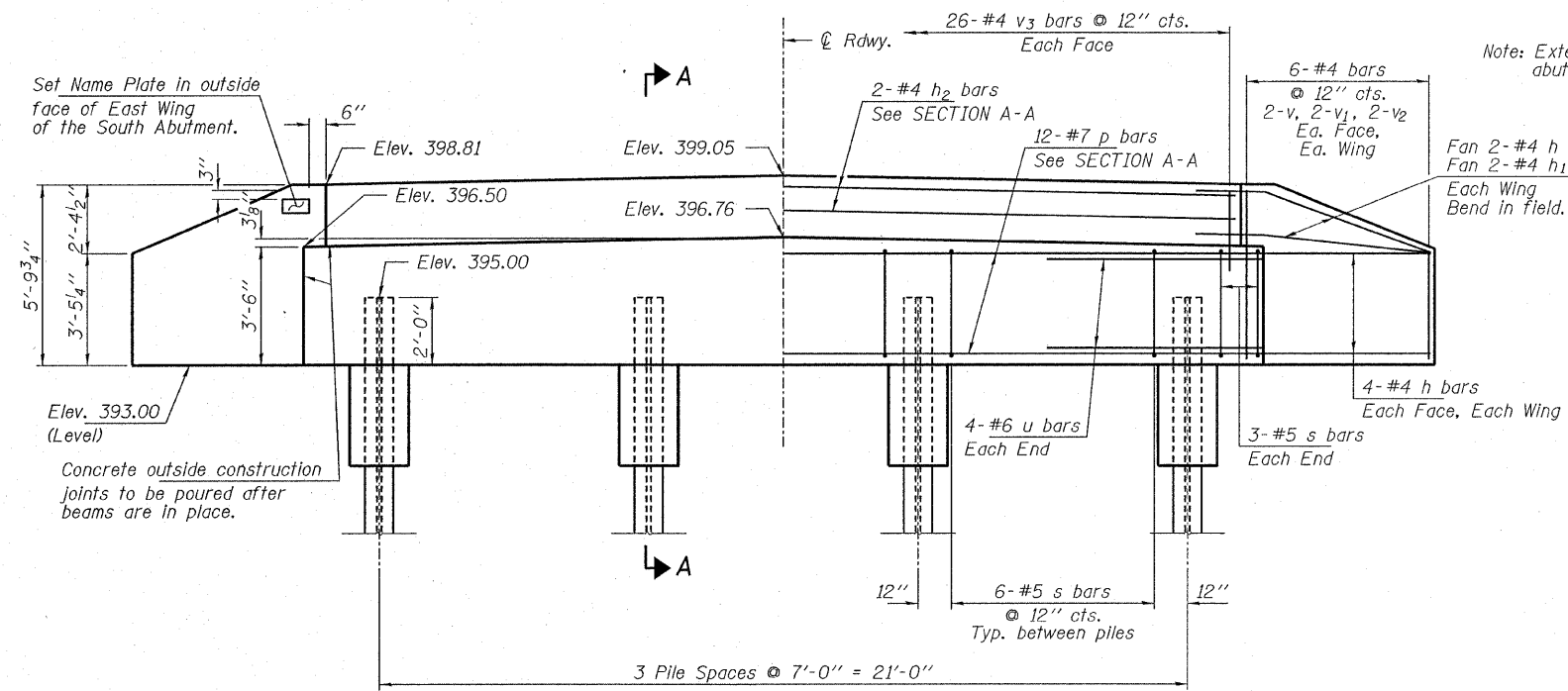
Hatched area to be poured after beams are in place.



**BAR s**



**BAR u**



**ELEVATION**

**PILE DATA**

Type	Steel HPI0x42
No. Req'd. (2 Abuts.)	8
Allowable Resistance Available	156 Kips/Pile
Nominal Req'd Bearing	468 Kips/Pile
Est. Length	55 Ft/Pile - N. Abut. 52 Ft/Pile - S. Abut.

Notes: The Steel H-Piles shall be according to AASHTO M270 Grade 50.

The test piles shall be driven to 110 percent of the Nominal Required Bearing indicated in the pile data information.

**BILL OF MATERIAL - 2 ABUTS.**

BAR	NO.	SIZE	LENGTH	SHAPE
h	40	#4	7'-0"	—
h1	8	#4	5'-6"	—
h2	4	#4	25'-2"	—
p	24	#7	25'-2"	—
s	48	#5	11'-7"	□
u	16	#6	12'-1"	—
v	16	#4	5'-2"	—
v1	16	#4	4'-2"	—
v2	16	#4	3'-2"	—
v3	104	#4	3'-2"	—
Concrete Structures			Cu. Yd.	23.6
Concrete Encasement			Cu. Yd.	2.8
Reinforcement Bars			Pound	2,740
Steel Piles HPI0x42			Foot	428
Name Plates			Each	1

**ABUTMENTS  
STRUCTURE NO. 033-3310**

DESIGNED	- S.M.S.
CHECKED	- S.W.M.
DRAWN	- D.A.B.
CHECKED	- D.T.M.

**HAMPTON, LENZINI & RENWICK, INC.**  
 CIVIL & STRUCTURAL ENGINEERS  
 LAND SURVEYORS  
 3085 STEVENSON DRIVE, SUITE 201  
 SPRINGFIELD, ILLINOIS 62703  
 (217) 546-3400  
 PROJECT NUMBER: 08.0102.130 DATE: 08/25/08

SHEET NO. 6	T.R.	SECTION	COUNTY	TOTAL SHEETS	SHEET NO.
	234	08-09113-00-BR	HAMILTON	13	10
9 SHEETS	SOUTH CROUCH ROAD DISTRICT		CONTRACT NO. 99343		
	FED. ROAD DIST. NO. 9 ILLINOIS FED. AID PROJECT				