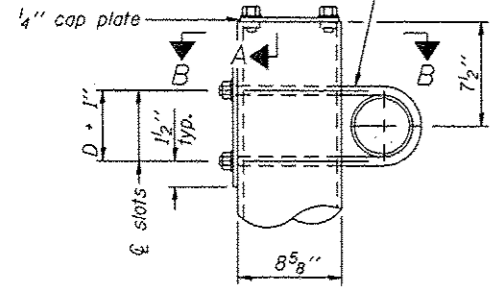
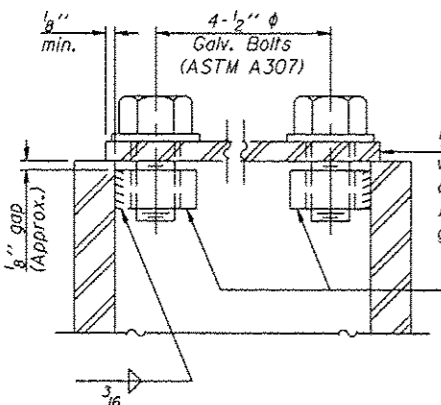


3/4" φ stainless steel U-bolt.
Provide two washers and two hexagon locknuts. (4)
13/16" x 2" slots on 8" φ pipe.
(4 slots required per pipe)

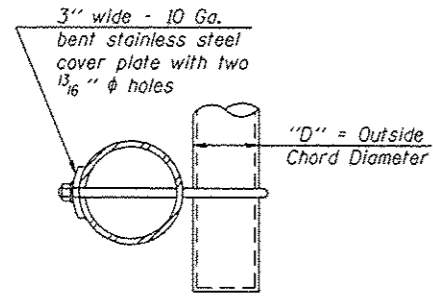


DETAIL A

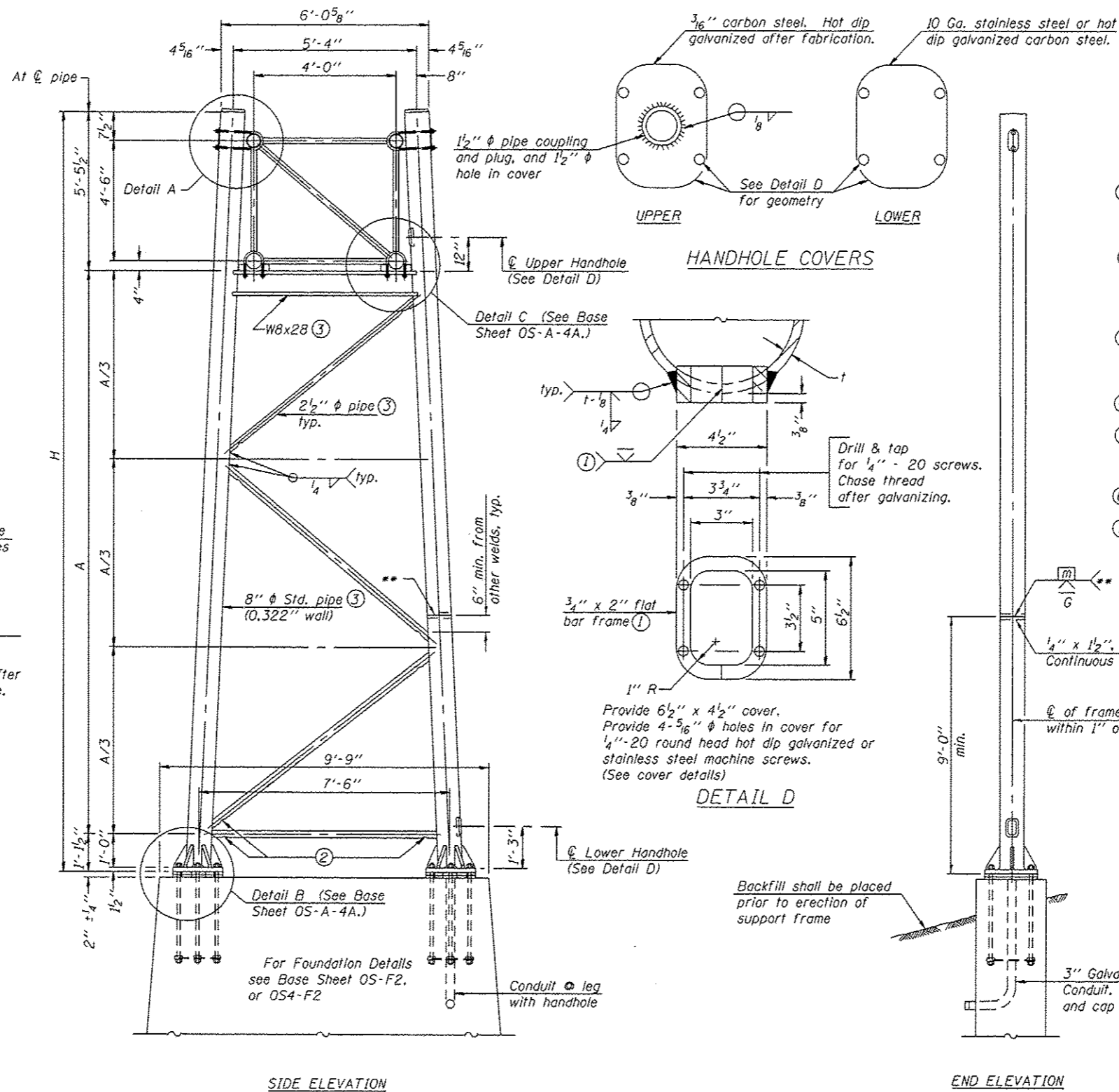


SECTION A-A

As an alternate to bolts, may use galvanized drive-fit caps installed after galvanizing frame.

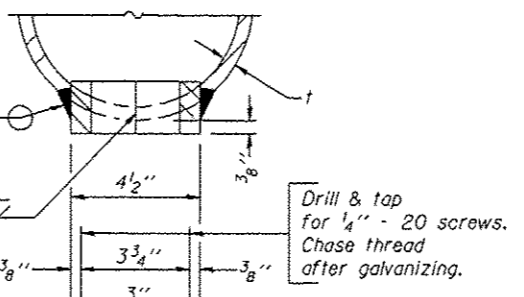


SECTION B-B



SIDE ELEVATION

HANDHOLE COVERS



DETAIL D

END ELEVATION

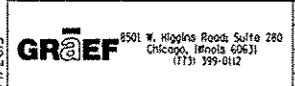
Support Design Loads: See Base Sheet OS-A-1 for design and loading criteria.
Load combinations checked include deadload plus:
a) 100% wind normal to sign, 20% parallel to sign
b) 60% wind normal to sign, 30% parallel to sign

- ① In lieu of fabricated handhole frame as shown, may cut from 2" plate (rolling direction vertical). All cut faces to be ground to ANSI Roughness of 500 min or less.
- ② Galvanizing vent holes of adequate size shall be provided on underside at each end of bracing pipes. Alternately, holes may be provided in wall of pipe column. All vent holes shall be drilled and de-burred, typ.
- ③ Steel pipe, plate, carbon steel handhole covers and rolled sections shall be hot dip galvanized after fabrication. Painting is not permitted. See Base Sheet OS-A-1.
- ④ See General Notes for fasteners.
- ⑤ Dimensions shown are based on selection criteria in the Sign Structures Manual. Nonstandard applications must have dimensions verified or amended as appropriate.
- ⑥ "H" based on 15'-0" or actual sign height, whichever is greater.
- ⑦ Survey elevations are not available for this Location. The Contractor is responsible to obtain survey elevations and then determine the vertical dimensions and elevations for the pipe support frames.

8" φ PIPE TRUSS SUPPORT FRAME
** One butt welded joint is allowed only on one post per support frame. If used, weld procedure must be pre-approved by Engineer and joint shall receive 100% RT or UT (tension criteria) at Contractor's expense.

Structure Number	Location	Station	Support		H ⑥	A	Note
			Left	Right			
ISO49U012R000.0-000	2	247+00	X		27'-8 3/4"	21'-1 3/4"	
ISO49U012R000.0-000	2	247+00		X	27'-10"	21'-3"	
ISO16I090L082.6-000	12	3535+00	X	X			7

H:\Jobs\2011\2011012-44\CAD\Site\ogn\00.Dwg\2011-05-05\span-plb\supfr\ame.dgn 8/1/2013 3:57:03 PM



USER NAME =	DESIGNED -	REVISED
PLOT SCALE =	CHECKED -	REVISED
PLOT DATE =	DRAWN - 08/01/2013	REVISED
	CHECKED -	REVISED

STATE OF ILLINOIS
DEPARTMENT OF TRANSPORTATION

ALUMINUM SPAN SIGN TRUSS; STEEL SUPPORTS
8" DIAMETER PIPE SUPPORT FRAME

F.A. RTE.	SECTION	COUNTY	TOTAL SHEETS	SHEET NO.
VAR.	01 OVD SIN STR REPL14-30	VARIOUS	47	14
			CONTRACT NO. 46291	

SHEET NO. 55 OF 28 SHEETS

ILLINOIS FED. AID PROJECT