

Note:
There are twice as many horizontal diagonals as there are vertical diagonals.

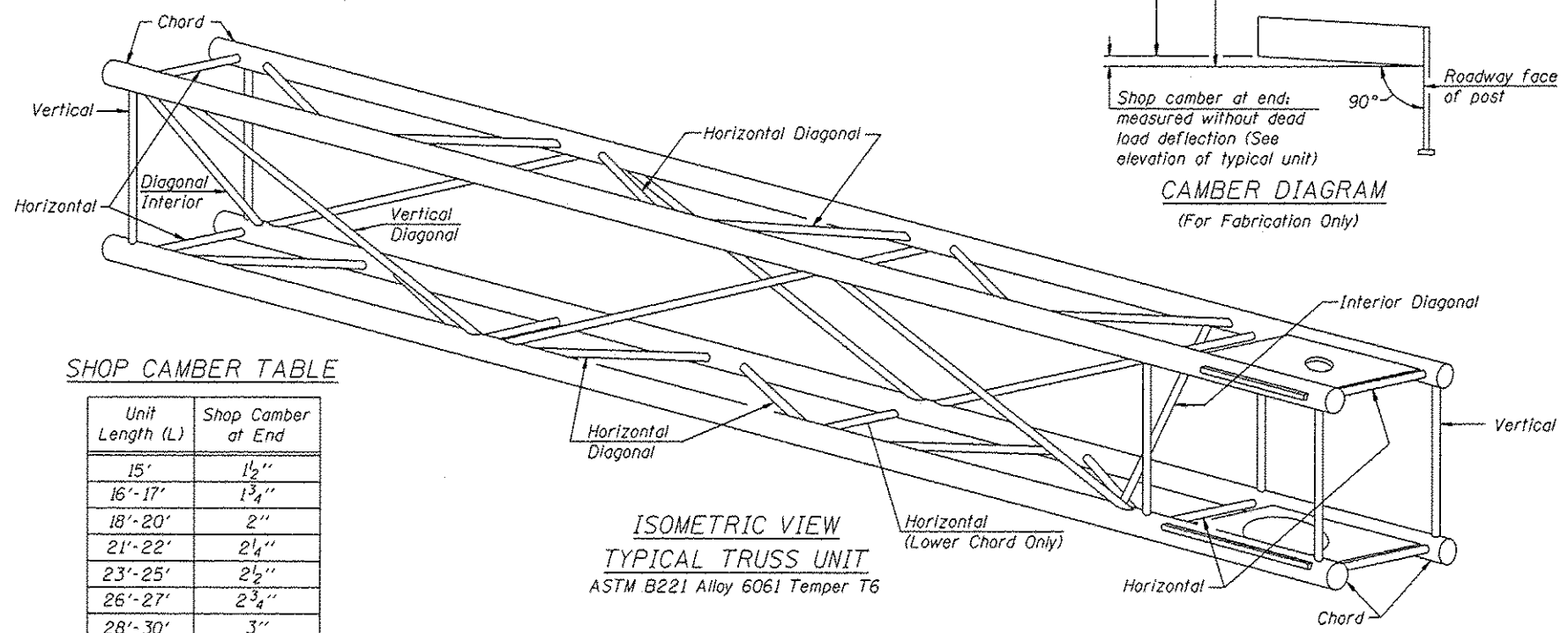
For Section B-B and Section C-C, see Base Sheet OSC-A-3.

TRUSS UNIT TABLE

Truss Type	Dimension "a"	Dimension "b"	Dimension "s"	Limits for Panel Spacing (P)*	Up. & Low. Chord		Verticals, Horizontals, Vertical, Horizontal, and Interior Diagonals	
					O.D.	Wall	O.D.	Wall
I-C-A	24"	54"	16"	36" min. to 48" max.	5"	5/16"	2 1/2"	5/16"
II-C-A	36"	66"	21"	42" min. to 54" max.	6 1/2"	5/16"	3 1/4"	5/16"
III-C-A (35' Max.)	36"	84"	21"	48" min. to 66" max.	7"	3/8"	3 1/2"	3/8"
III-C-A (>35' to 40')	36"	84"	21"	48" min. to 66" max.	8"	3/8"	3 1/2"	3/8"

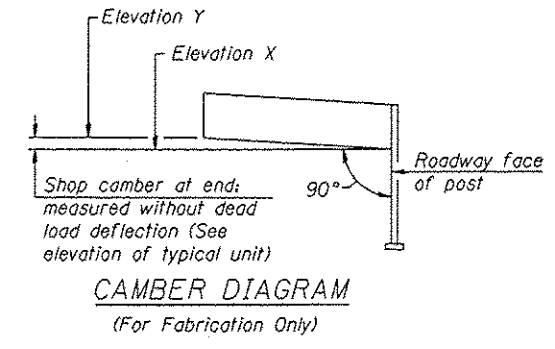
*P = $\frac{L-s-3}{\# \text{ Panels}}$

Structure Number	Location	Station	Truss Type	Design Length (L)	Number of Panels Per Unit	Panel Length (P)*
IC049U041L000.0-001	3	53+42	III-C-A	35'-0"	7	4'-8 9/16"
IC049U041R000.0-000	4	60+50	III-C-A	30'-0"	6	4'-8"
IC045S056R000.0-000	5	106+00	III-C-A	35'-0"	7	4'-8 9/16"
IC022S038R000.0-001	8	59+15	III-C-A	35'-0"	7	4'-8 9/16"
IC0161090R081.9-000	9	3502+10	II-C-A	27'-6"	6	4'-3"
IC0161090R082.5-000	10	3533+10	II-C-A	27'-0"	6	4'-2"
IC0161090R083.9-000	11	3608+10	II-C-A	23'-0"	5	4'-2 3/8"
IC022S083L000.0-003	19	966+51.9	III-C-A	33'-6"	6	5'-3"

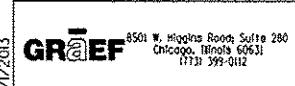


SHOP CAMBER TABLE

Unit Length (L)	Shop Camber at End
15'	1 1/2"
16'-17'	1 3/4"
18'-20'	2"
21'-22'	2 1/4"
23'-25'	2 1/2"
26'-27'	2 3/4"
28'-30'	3"
31'-32'	3 1/4"
33'-35'	3 1/2"
36'-37'	4"
38'-40'	4 1/2"



H:\p052011\2013012-44\CAD\Site\gdr\00\046239-s10cont-trussdet.dgn
 8/1/2013 4:48:06 PM



USER NAME =	DESIGNED -	REVISOR
PLOT SCALE =	CHECKED -	REVISOR
PLOT DATE =	DRAWN - 08/01/2013	REVISOR
	CHECKED -	REVISOR

STATE OF ILLINOIS
DEPARTMENT OF TRANSPORTATION

ALUMINUM CANTILEVER SIGN TRUSS; STEEL COLUMN
TRUSS DETAILS

SHEET NO. 510 OF 28 SHEETS

F.A. RTE.	SECTION	COUNTY	TOTAL SHEETS	SHEET NO.
VAR. 01 OVD SIN STR REPL14-30		VARIOUS	47	19
CONTRACT NO. 46291			ILLINOIS FED. AID PROJECT	