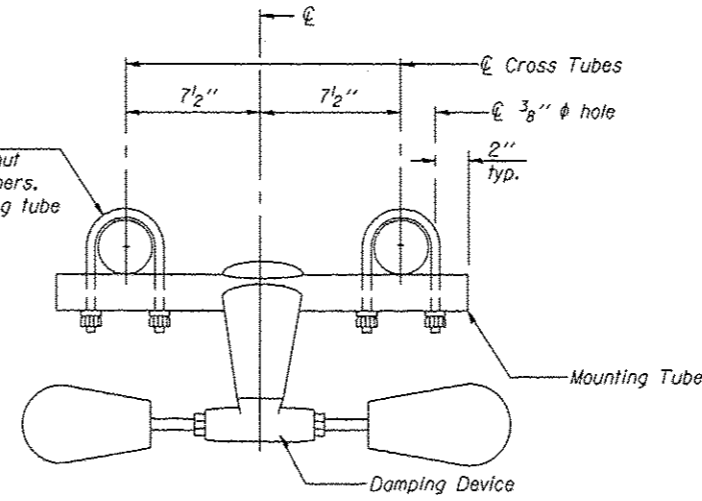
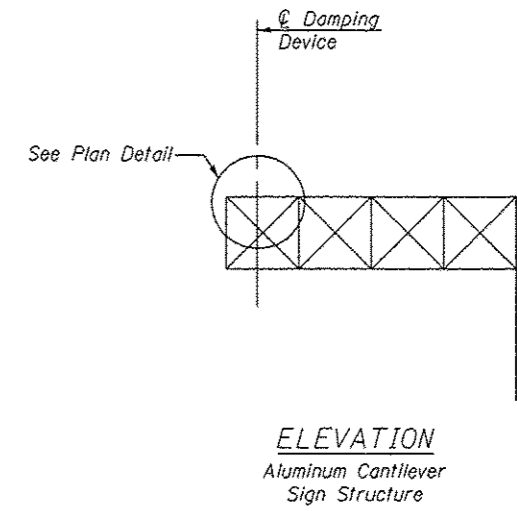


PLAN DETAIL

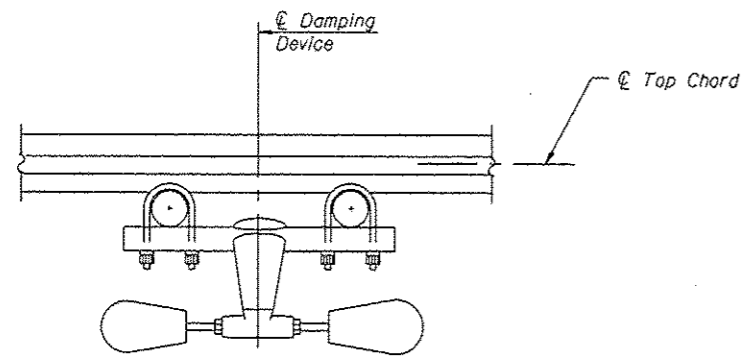


TRUSS DAMPING DEVICE CONNECTION DETAIL

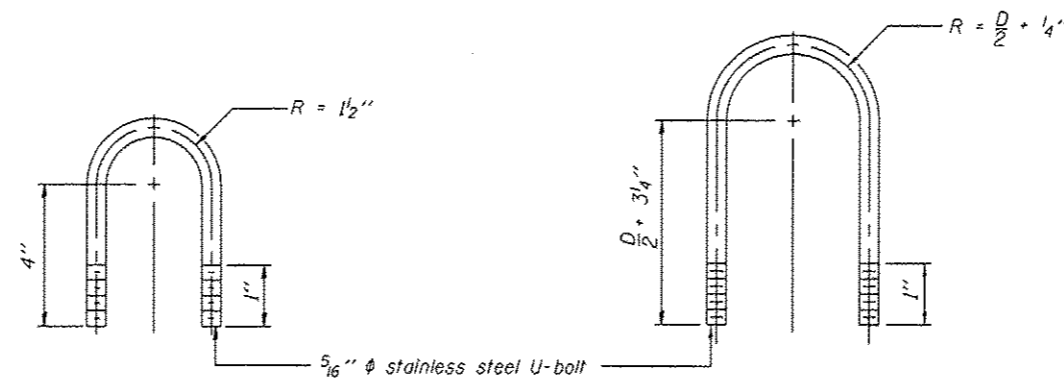


ELEVATION
Aluminum Cantilever
Sign Structure

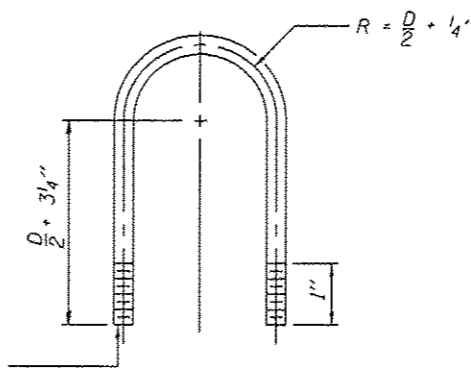
GENERAL NOTES
 Damper: One damper per truss. (31 lbs. Stockbridge-Type Aluminum-29" minimum between ends of weights)
 Materials: Aluminum tubes shall be ASTM B221 alloy 6061 temper T6



SECTION A-A



DAMPING DEVICE MOUNTING TUBE U-BOLT DETAIL
(Typical)



TOP CHORD TO CROSS TUBE U-BOLT DETAIL
(Typical)

H:\Jobs\2011\201102-44\CAD\Site\dgn\00\046291-sicant-trussdampdev.dgn 8/1/2013 3:57:05 PM

OSC-A-D

6-1-12

GRÖEF 8501 W. Higgins Road, Suite 280
Chicago, IL 60631
(773) 399-0112

USER NAME =	DESIGNED -	REVISED
PLOT SCALE =	CHECKED -	REVISED
PLOT DATE =	DRAWN - 08/01/2013	REVISED
	CHECKED -	REVISED

STATE OF ILLINOIS
DEPARTMENT OF TRANSPORTATION

ALUMINUM CANTILEVER SIGN TRUSS; STEEL COLUMN
TRUSS DAMPING DEVICE

SHEET NO. 511 OF 28 SHEETS

F.A. RTE.	SECTION	COUNTY	TOTAL SHEETS	SHEET NO.
VAR. 01 OVD SIN STR REPL14-30		VARIOUS	47	20
CONTRACT NO. 46291			ILLINOIS FED. AID PROJECT	