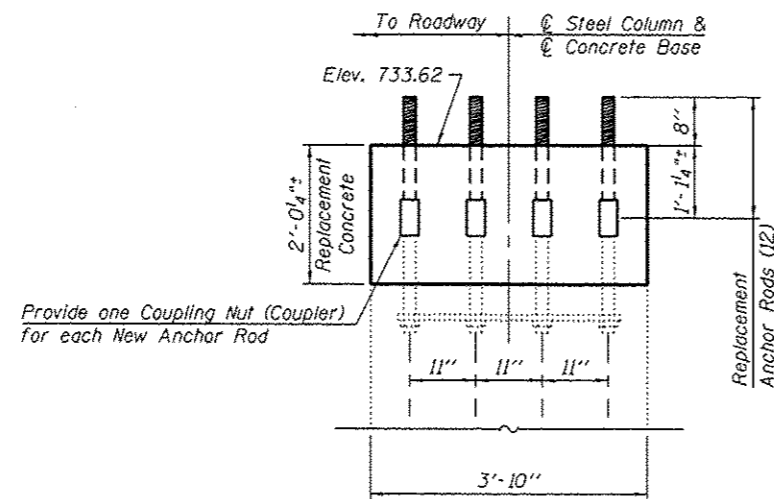
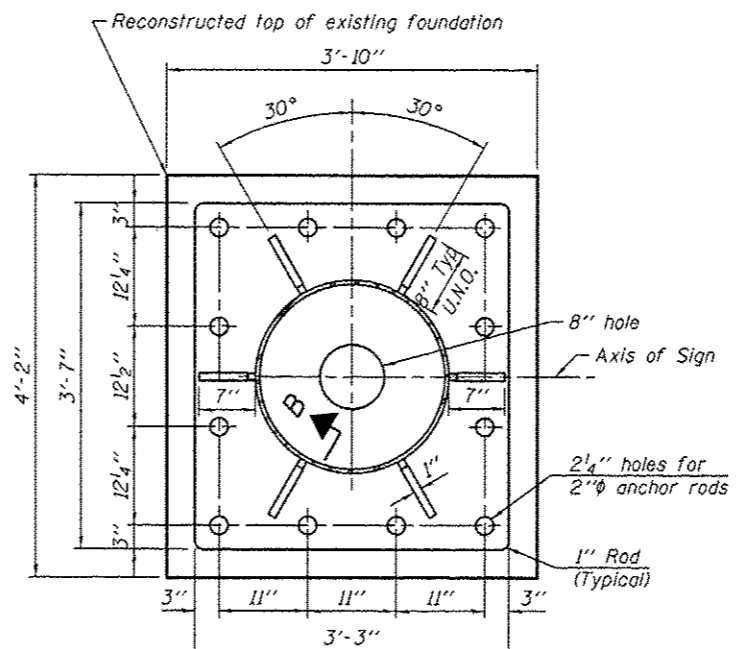


EXISTING

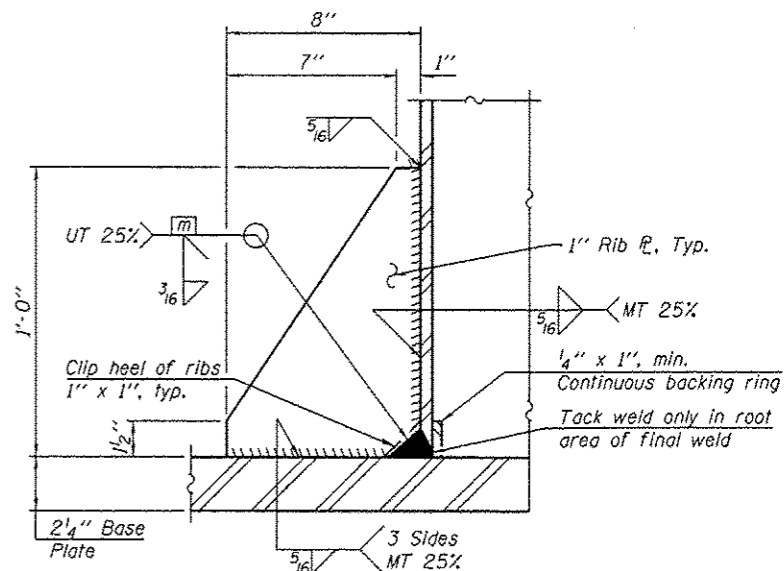


PROPOSED

SIGN STRUCTURE FOUNDATION LOOKING EAST



SECTION Z-Z FOR LOCATION 5



SECTION B-B

**LEGEND**

- Indicates Concrete Removal.
- Indicates Existing Structure.

**NOTES**

1. It shall be the Contractor's responsibility to verify all dimensions and conditions existing in the field prior to construction and ordering materials.
2. In "Sign Structure Foundation Looking East", existing reinforcement bars within the concrete foundation are not shown (for clarity). 12 Existing Anchor Rods (Bolts), 2" diameter, are to be removed partially as shown.
3. For Location of Section Z-Z, see Sheet S13.
4. Saw cut 1" deep on the perimeter of concrete removal. Care shall be exercised to prevent damage to existing reinforcement bars. See Special Provisions.
5. This work is paid for as REBUILD CONCRETE FOUNDATION FOR OVERHEAD SIGN STRUCTURE.

H:\jobs\2011\201102-44\CAD\Site\dgn\00\014629t-s15cont-fdr.dgn  
 8/1/2013 3:57:07 PM

	USER NAME =	DESIGNED -	REVISED	<b>STATE OF ILLINOIS</b> <b>DEPARTMENT OF TRANSPORTATION</b>	<b>ALUMINUM CANTILEVER SIGN TRUSS; STEEL COLUMN</b> <b>FOUNDATION REPAIRS, LOCATION 5</b>	F.A. RTE.	SECTION	COUNTY	TOTAL SHEETS	SHEET NO.
	PLOT SCALE =	CHECKED -	REVISED			VAR. 01 OVD SIN STR REPL14-30	VARIOUS	47	24	
	PLOT DATE =	DRAWN - 08/01/2013	REVISED			CONTRACT NO. 46291				
		CHECKED -	REVISED			ILLINOIS FED. AID PROJECT				