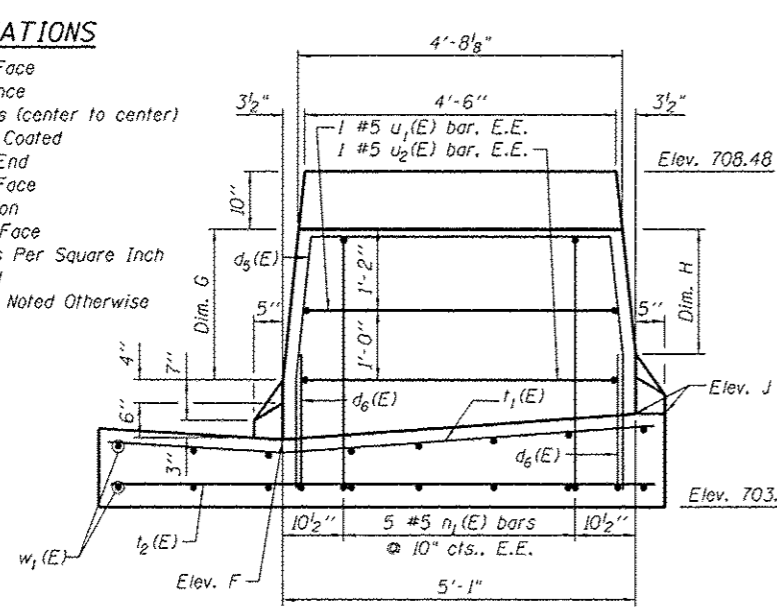
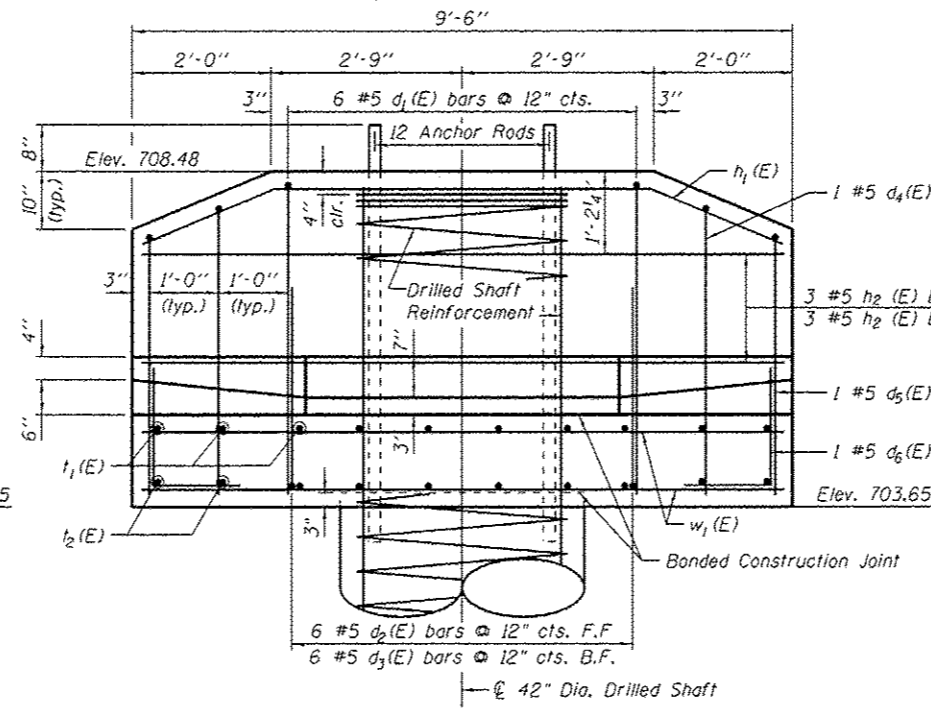


**ABBREVIATIONS**

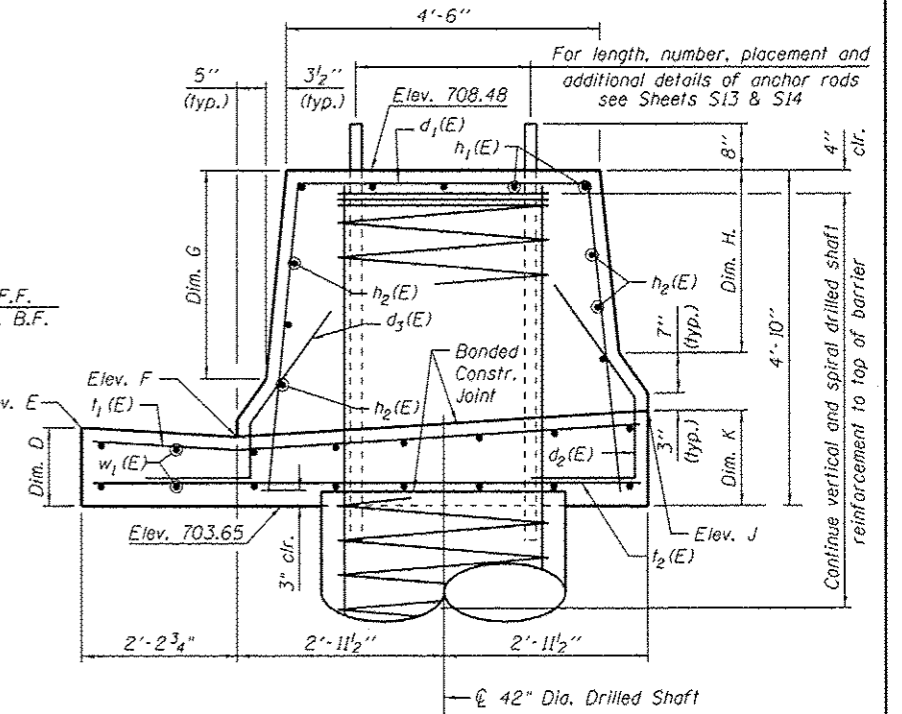
- B.F. Back Face
- clr. Clearance
- cts. centers (center to center)
- E.C. Epoxy Coated
- E.E. Each End
- E.F. Each Face
- Elev. Elevation
- F.F. Front Face
- psi Pounds Per Square Inch
- Typ. Typical
- U.N.O. Unless Noted Otherwise



**VIEW A-A**



**VIEW B-B**



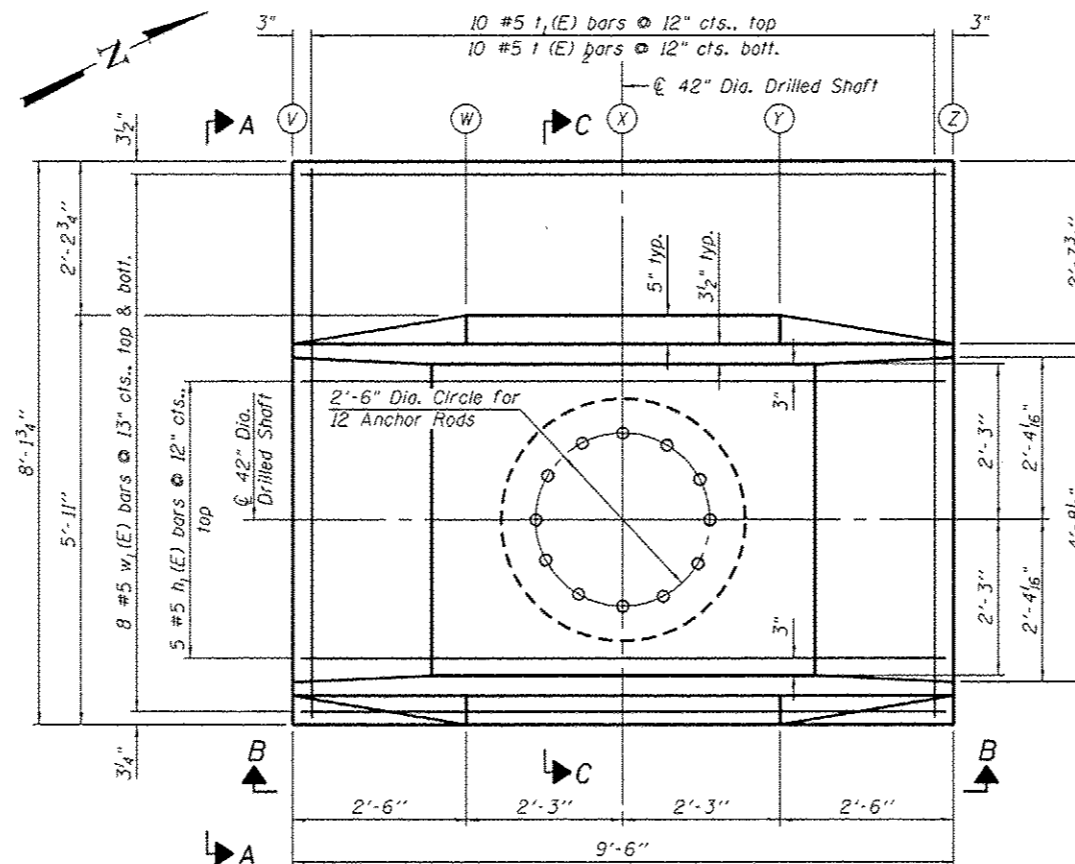
**SECTION C-C**

**TABLE OF DIMENSIONS & ELEVATIONS**

Location	V	W	X	Y	Z
Dim. D	1'-2"	1'-2 1/4"	1'-2 1/2"	1'-2 3/4"	1'-3"
Elev. E	704.82	704.84	704.86	704.88	704.90
Elev. F	704.65	704.70	704.72	704.74	704.73
Dim. G	2'-2"	2'-11 3/8"	2'-11 1/8"	2'-10 7/8"	2'-1"
Dim. H	1'-10 3/8"	2'-8 1/4"	2'-8 1/8"	2'-8 1/8"	1'-10"
Elev. J	704.95	704.96	704.97	704.97	704.98
Dim. K	1'-3 5/8"	1'-3 3/4"	1'-3 7/8"	1'-3 7/8"	1'-4"

**NOTES**

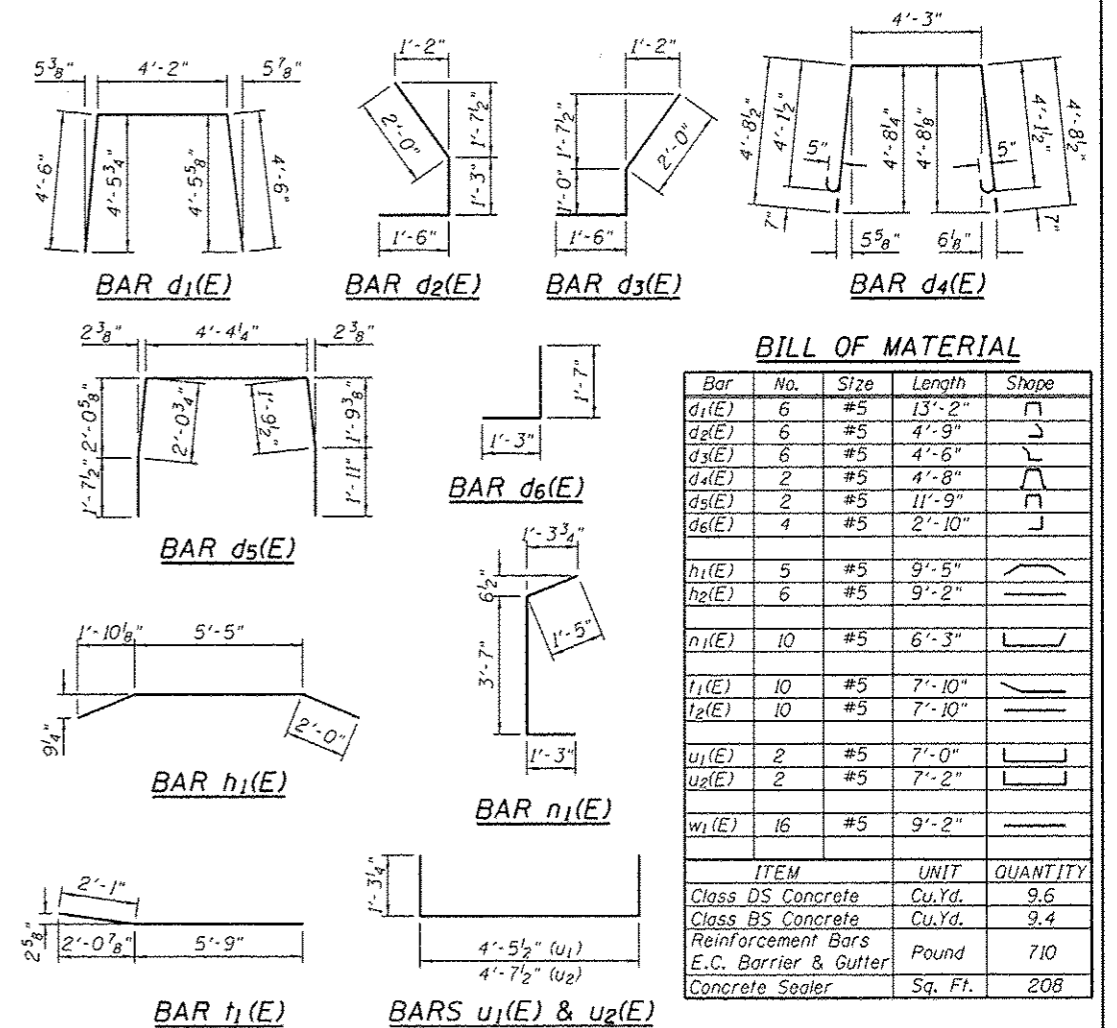
1. All exposed concrete edges shall have a 3/4" x 45° chamfer except where shown otherwise. Chamfer on vertical edges shall be continued a minimum of one foot below finished grade level.
2. Reinforcement bar bending details shall be in accordance with the latest "Manual of Standard Practice For Detailing Reinforced Concrete Structures", ACI 315.
3. Reinforcement bar bending dimensions are out to out.
4. Cover from face of concrete to face of reinforcement bars shall be 3" for surfaces cast against earth and 2" for all other surfaces unless otherwise noted.
5. Reinforcement bars designated (E) shall be epoxy coated.
6. Concrete for barrier & gutter shall be Class BS and shall be paid for as Drilled Shaft Concrete Foundations.
7. A normal surface finish followed by an application of Concrete Sealer will be required on the vertical, nearly vertical and top surfaces of the barrier and gutter. Cost is included in Drilled Shaft Concrete Foundations.
8. For galvanized steel conduit embedded in the barrier, see Sheet S14.



**PLAN VIEW**

**DESIGN STRESSES**

f'c = 4,000 psi @ 14 days, Class BS Concrete, for Barrier & Gutter  
 f'c = 4,000 psi @ 14 days, Class DS Concrete, for Drilled Shaft  
 fy = 60,000 psi, Reinforcement Bars



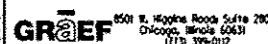
**BILL OF MATERIAL**

Bar	No.	Size	Length	Shape
d1(E)	6	#5	13'-2"	U
d2(E)	6	#5	4'-9"	J
d3(E)	6	#5	4'-6"	J
d4(E)	2	#5	4'-8"	J
d5(E)	2	#5	11'-9"	J
d6(E)	4	#5	2'-10"	J
h1(E)	5	#5	9'-5"	U
h2(E)	6	#5	9'-2"	U
n1(E)	10	#5	6'-3"	J
t1(E)	10	#5	7'-10"	J
u1(E)	2	#5	7'-0"	J
u2(E)	2	#5	7'-2"	J
w1(E)	16	#5	9'-2"	J

ITEM	UNIT	QUANTITY
Class DS Concrete	Cu.Yd.	9.6
Class BS Concrete	Cu.Yd.	9.4
Reinforcement Bars	Pound	710
E.C. Barrier & Gutter		
Concrete Sealer	Sq. Ft.	208

I:\Jobs\2013\201309-14\CAD\Sheet\14629-316shaft11-loc18.dgn  
 09/2/2013 8:28:41 AM



USER NAME *	DESIGNED -	REVISED
PLOT SCALE *	CHECKED -	REVISED
PLOT DATE *	DRAWN - 09/05/2013	REVISED
	CHECKED -	REVISED

**STATE OF ILLINOIS  
 DEPARTMENT OF TRANSPORTATION**

**ALUMINUM CANTILEVER SIGN TRUSS; STEEL COLUMN  
 CONCRETE BARRIER ON DRILLED SHAFT AT LOCATION 19**

SHEET NO. S16 OF 28 SHEETS

F.A. RTE.	SECTION	COUNTY	TOTAL SHEETS	SHEET NO.
VAR. DI OVD SIN STR REPL14-30	VARIOUS	VARIOUS	53	25
			CONTRACT NO.	46291
ILLINOIS FED. AID PROJECT				