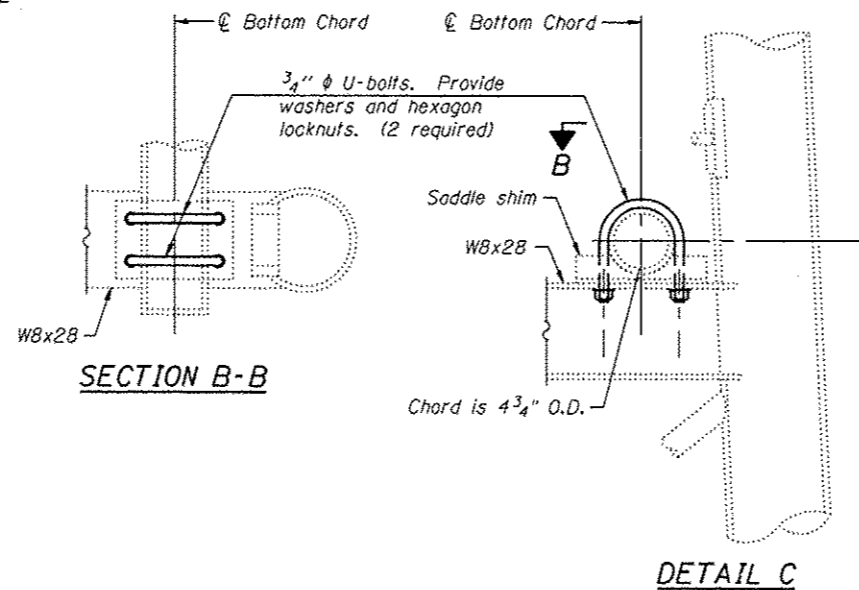
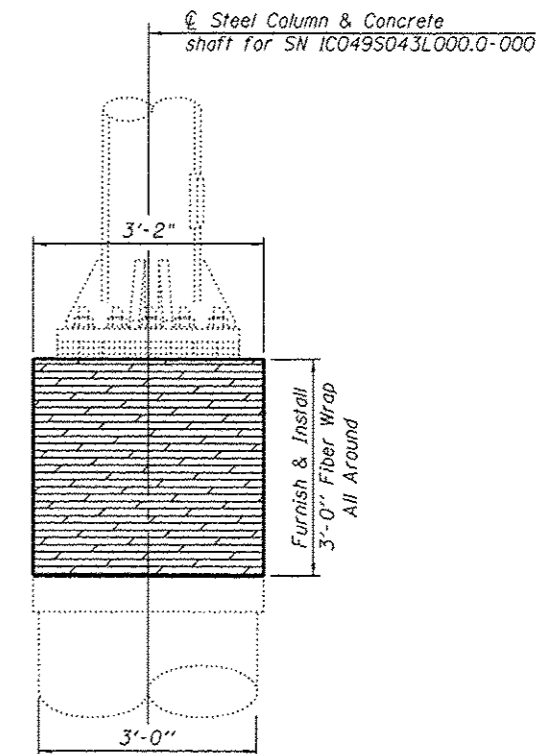


Replace 2 Missing U-Bolts
See Detail C



SECTION B-B

DETAIL C



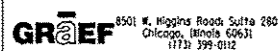
ELEVATION VIEW OF FOUNDATION
LOCATION #14

SIDE ELEVATION LOOKING NORTH AT SOUTH SUPPORT
FRAME, SN:IS045S056L000.0-000, LOCATION 13

NOTES

1. It shall be the Contractor's responsibility to verify all dimensions and conditions existing in the field prior to construction and ordering materials.
2. Indicates Existing Structure.

H:\jobs\2011\201302-44\CAD\Site\vgp\00\046291-s22misc-13814.dgn 8/1/2013 3:51:10 PM



USER NAME =	DESIGNED -	REVISIONS
PLOT SCALE =	CHECKED -	REVISIONS
PLOT DATE =	DRAWN - 08/01/2013	REVISIONS
	CHECKED -	REVISIONS

STATE OF ILLINOIS
DEPARTMENT OF TRANSPORTATION

SIGN STRUCTURE REPAIRS
LOCATIONS 13 & 14

SHEET NO. S22 OF 28 SHEETS

F.A. RTE.	SECTION	COUNTY	TOTAL SHEETS	SHEET NO.
VAR. DI OVD SIN STR REPL14-30		VARIOUS	47	31

CONTRACT NO. 46291

ILLINOIS FED. AID PROJECT