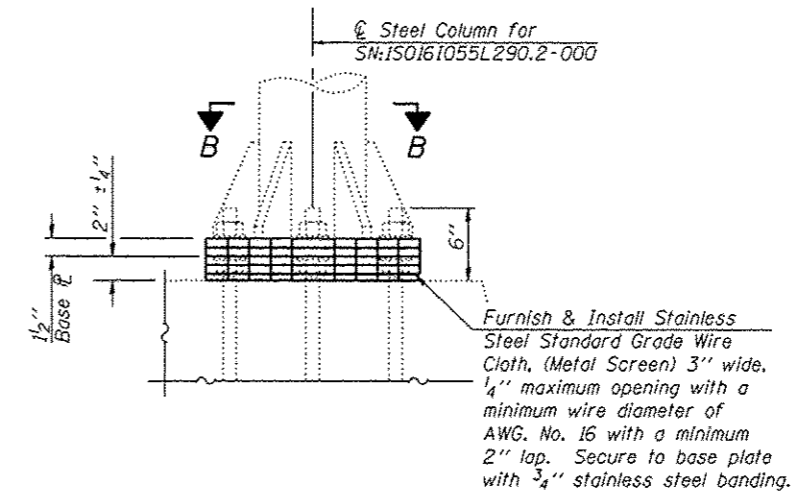
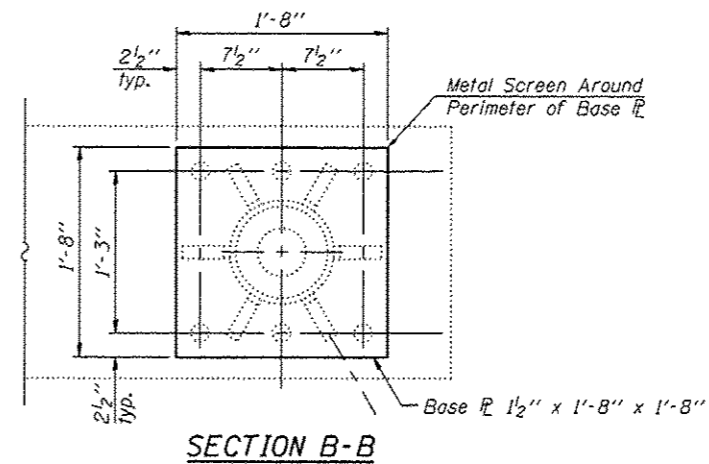


**ELEVATION VIEW OF FOUNDATION
LOCATION 17**



**SIDE ELEVATION OF LEFT REAR
COLUMN AND FOUNDATION, LOCATION 18**



SECTION B-B

NOTES

- It shall be the Contractor's responsibility to verify all dimensions and conditions existing in the field prior to construction and ordering materials.

H:\p01\2013\20130102-44\AD\Site\Drawings\24misc-17&18.dgn
 8/1/2013 3:55:11 PM

GRAF
 8501 W. Higgins Road Suite 280
 Chicago, Illinois 60631
 (773) 399-0112

USER NAME =	DESIGNED -	REVISED
PLOT SCALE =	CHECKED -	REVISED
PLT DATE =	DRAWN - 08/01/2013	REVISED
	CHECKED -	REVISED

**STATE OF ILLINOIS
DEPARTMENT OF TRANSPORTATION**

**SIGN STRUCTURE REPAIRS
LOCATIONS 17 & 18**

SHEET NO. 524 OF 28 SHEETS

F.A. RTE.	SECTION	COUNTY	TOTAL SHEETS	SHEET NO.
VAR. 01 OVD SIN STR REPL14-30		VARIOUS	47	33
CONTRACT NO. 46291			ILLINOIS FED. AID PROJECT	