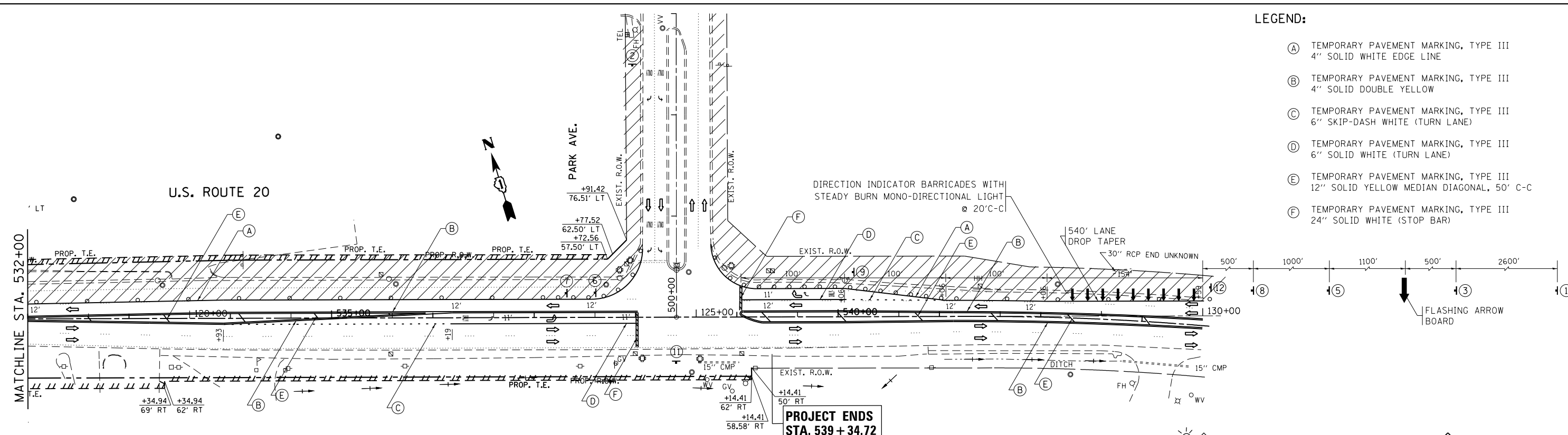


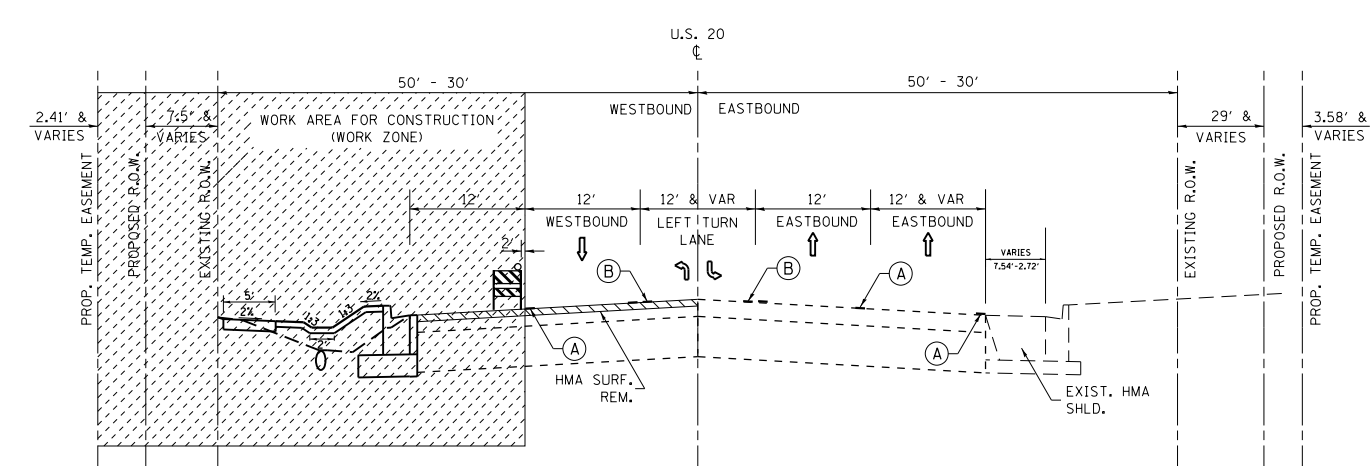
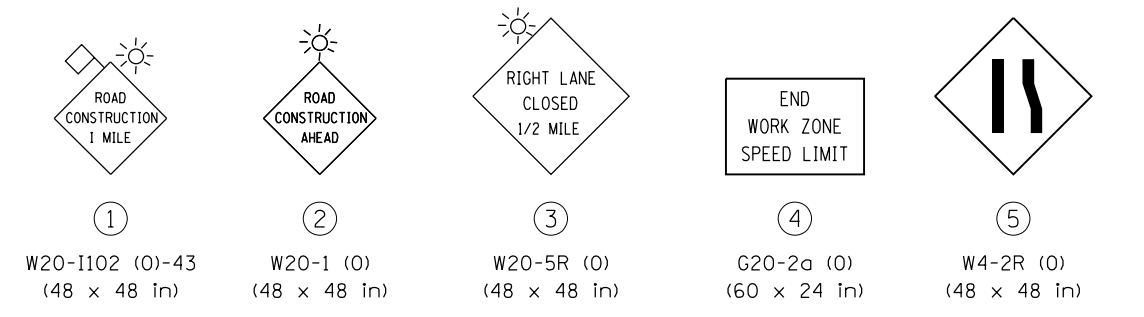
LEGEND:

- (A) TEMPORARY PAVEMENT MARKING, TYPE III
4" SOLID WHITE EDGE LINE
- (B) TEMPORARY PAVEMENT MARKING, TYPE III
4" SOLID DOUBLE YELLOW
- (C) TEMPORARY PAVEMENT MARKING, TYPE III
6" SKIP-DASH WHITE (TURN LANE)
- (D) TEMPORARY PAVEMENT MARKING, TYPE III
6" SOLID WHITE (TURN LANE)
- (E) TEMPORARY PAVEMENT MARKING, TYPE III
12" SOLID YELLOW MEDIAN DIAGONAL, 50' C-C
- (F) TEMPORARY PAVEMENT MARKING, TYPE III
24" SOLID WHITE (STOP BAR)



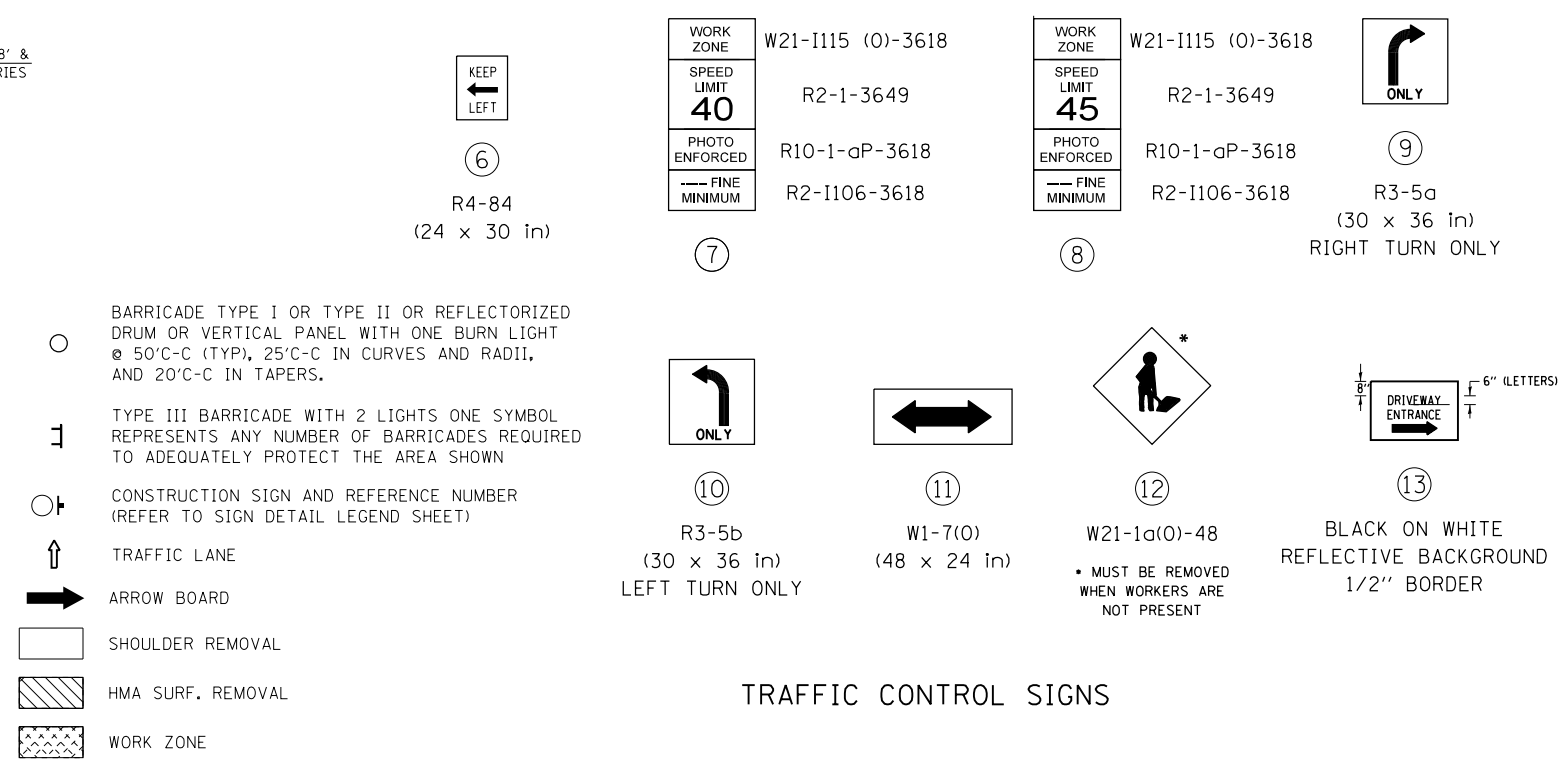
FOR WIDENING AND RESURFACING OPERATIONS THE SIGNING, BARRICADING AND LANE CLOSURE SHALL BE IN ACCORDANCE WITH STDS. 701602 AND 701606 IN ADDITION TO THE SIGNS SHOWN.

**PROJECT ENDS
STA. 539 + 34.72**



**U.S. 20 (LAKE STREET)
STAGE I CONSTRUCTION
STA. 515+78.66 TO STA. 539+34.72**

WESTBOUND: (WIDENING SECTION)
2" HMA SURFACE COURSE, MIX "F", N90
2-1/2" POLY. HMA BINDER COURSE, IL-19, N90
8" HMA BASE COURSE
12" AGG. SUBGRADE IMPROVEMENT



- BARRICADE TYPE I OR TYPE II OR REFLECTORIZED DRUM OR VERTICAL PANEL WITH ONE BURN LIGHT @ 50'C-C (TYP), 25'C-C IN CURVES AND RADII, AND 20'C-C IN TAPERS.
- ⌋ TYPE III BARRICADE WITH 2 LIGHTS ONE SYMBOL REPRESENTS ANY NUMBER OF BARRICADES REQUIRED TO ADEQUATELY PROTECT THE AREA SHOWN
- + CONSTRUCTION SIGN AND REFERENCE NUMBER (REFER TO SIGN DETAIL LEGEND SHEET)
- ↑ TRAFFIC LANE
- ➔ ARROW BOARD
- SHOULDER REMOVAL
- ▨ HMA SURF. REMOVAL
- ▩ WORK ZONE

TRAFFIC CONTROL SIGNS

| | | | | | | | | | | | |
|---|------------------------------|------------|-----------|---|--|---------------------------|---------|--------|--------------|-----------|--|
| FILE NAME = | USER NAME = galbenjr | DESIGNED - | REVISED - | STATE OF ILLINOIS DEPARTMENT OF TRANSPORTATION | SUGGESTED STAGING & TRAFFIC CONTROL PLAN, STAGE 1 U.S. 20 (OAK AVE. TO PARK AVE.) | F.A.P. RTE. | SECTION | COUNTY | TOTAL SHEETS | SHEET NO. | |
| et:\p\work\p\dot\galbenjr\d0304020\PI57 | 408-sh-t-Design-staging1.dgn | DRAWN - | REVISED - | | | 345 | 7Y-WRS | COOK | 97 | 23 | |
| #MODELNAME# | PLOT SCALE = 100.0000' / in. | CHECKED - | REVISED - | | | CONTRACT NO. 60N18 | | | | | |
| | PLOT DATE = 4/3/2013 | DATE - | REVISED - | | | ILLINOIS FED. AID PROJECT | | | | | |