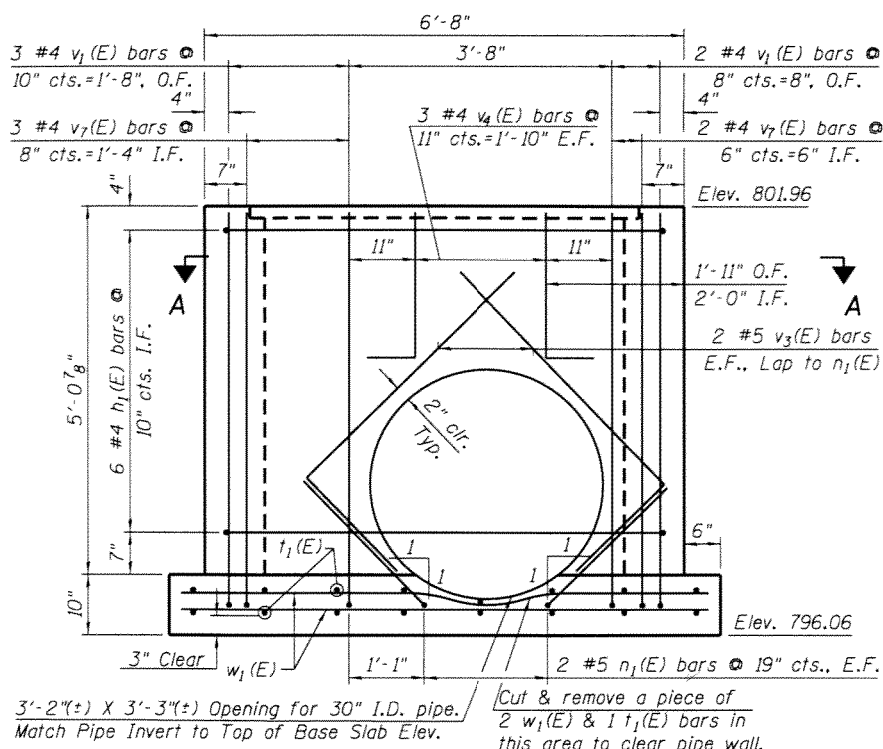
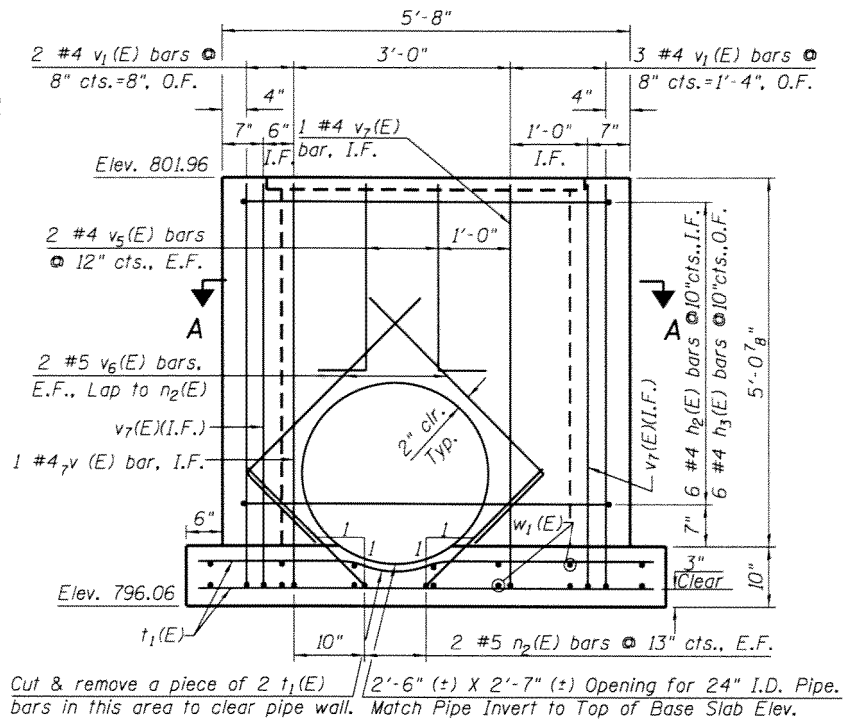


BILL OF MATERIAL

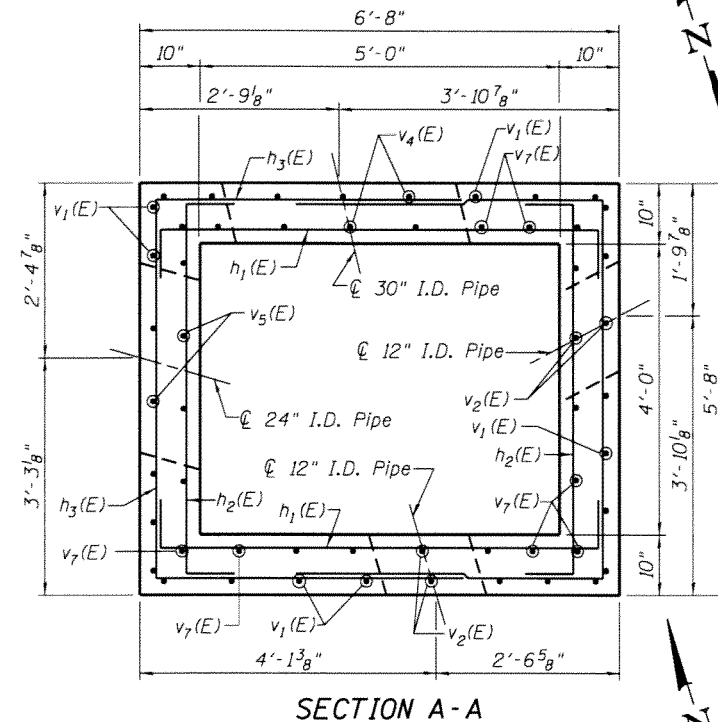
Bar	No.	Size	Length	Shape
$h_1(E)$	12	#4	7'-7"	[Shape]
$h_2(E)$	12	#4	6'-7"	[Shape]
$h_3(E)$	12	#4	13'-11"	[Shape]
$h_4(E)$	4	#5	4'-6"	[Shape]
$n_1(E)$	4	#5	3'-4"	[Shape]
$n_2(E)$	4	#5	3'-1"	[Shape]
$t_1(E)$	8	#4	6'-4"	[Shape]
$v_1(E)$	23	#4	6'-1"	[Shape]
$v_2(E)$	4	#4	4'-3"	[Shape]
$v_3(E)$	4	#5	5'-10"	[Shape]
$v_4(E)$	6	#4	2'-7"	[Shape]
$v_5(E)$	4	#4	3'-2"	[Shape]
$v_6(E)$	4	#5	4'-9"	[Shape]
$v_7(E)$	17	#4	6'-0"	[Shape]
$w_1(E)$	7	#4	7'-4"	[Shape]
Item	Unit	Quantity		
Concrete Structures	Cu. Yd.	4.4		
Protective Coat	Sq. Yd.	7.3		
Stud Shear Connectors	Each	18		
Reinforcement Bars, Epoxy Coated	Pound	580		
Metal Bar Grating	Pound	370		



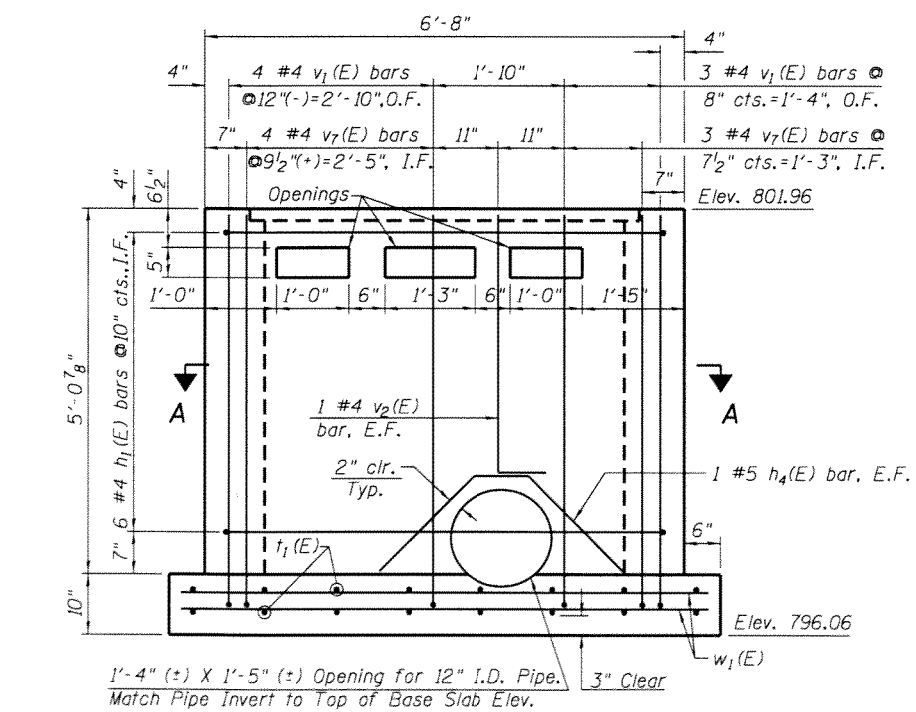
NORTH WALL ELEVATION LOOKING SOUTH



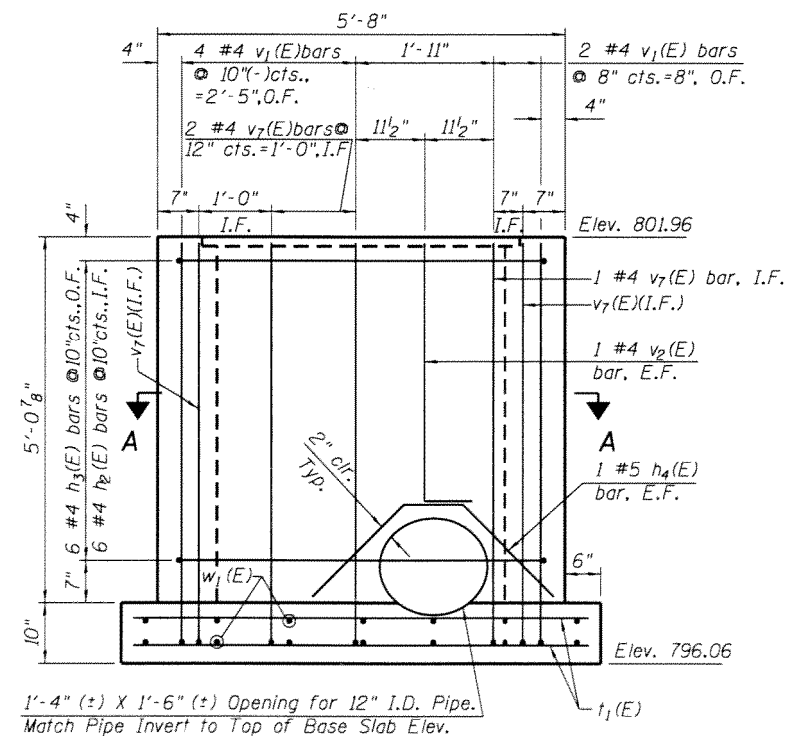
WEST WALL ELEVATION LOOKING EAST



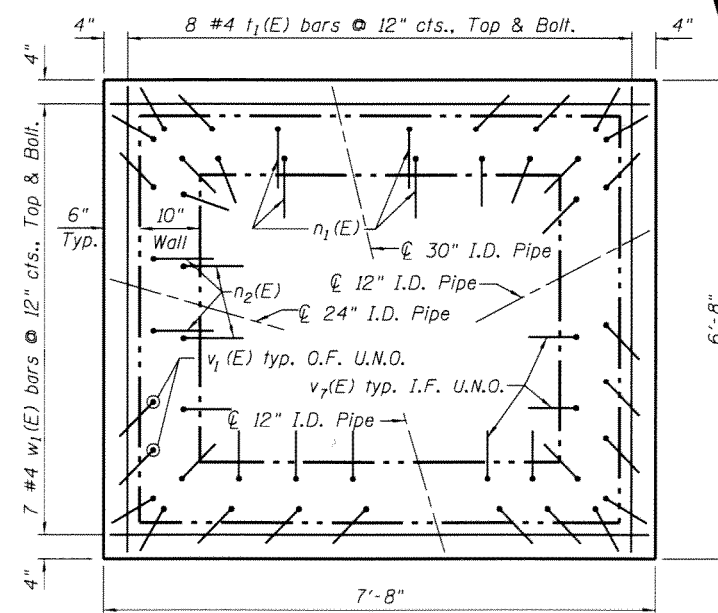
SECTION A-A



SOUTH WALL ELEVATION LOOKING NORTH



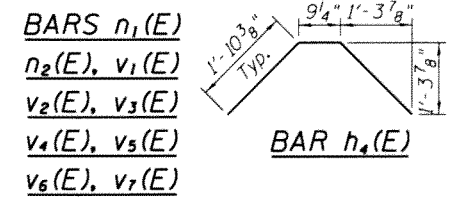
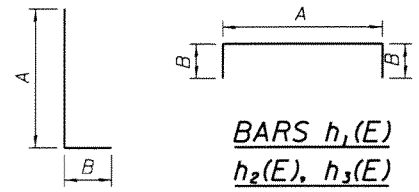
EAST WALL ELEVATION LOOKING WEST



FOOTING PLAN

BAR BENDING DIMENSIONS

Bar	A	B
$h_1(E)$	6'-3"	8"
$h_2(E)$	5'-3"	8"
$h_3(E)$	5'-3"	4'-4"
$n_1(E)$	2'-6"	10"
$n_2(E)$	2'-3"	10"
$v_1(E)$	5'-5" ②	8"
$v_2(E)$	3'-7"	8"
$v_3(E)$	4'-1 1/4"	1'-8 3/4"
$v_4(E)$	1'-11"	8"
$v_5(E)$	2'-6"	8"
$v_6(E)$	3'-5"	1'-4"
$v_7(E)$	5'-4" ②	8"



NOTES:

- Provide Openings thru horizontal reinforcement bars to clear pipe openings.
- See General Notes, Note B.

H:\Jobs\2011\20110102-34\CAD\Site\dgn\00\F05\016\016.dgn 12/26/2012 5:02:48 PM