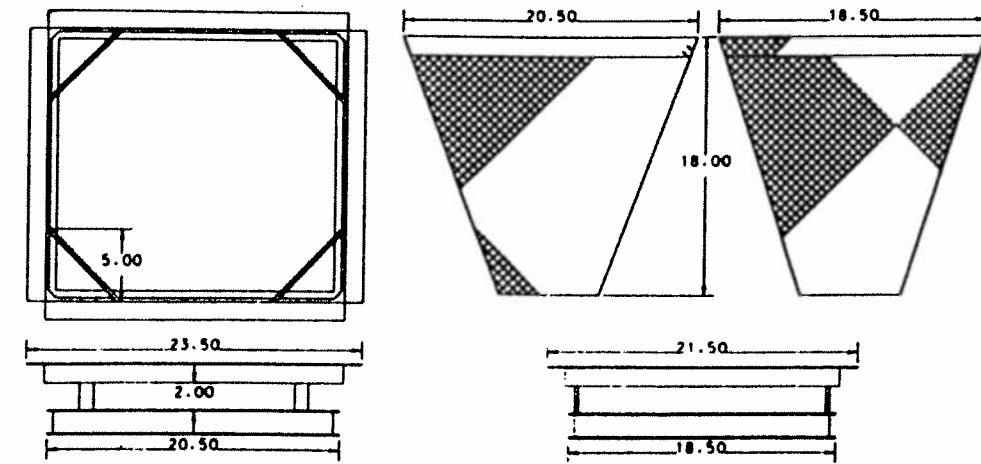


TYPE I INLET FILTER

NOTE:

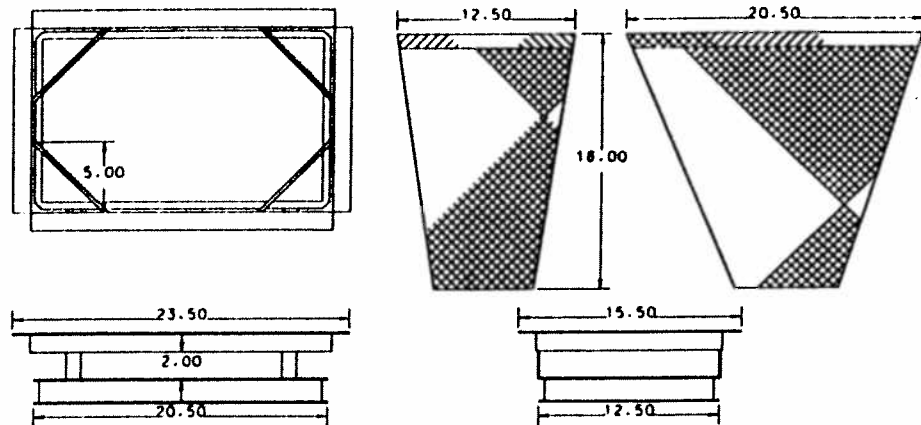
FRAME: TOP RING SHALL BE FABRICATED FROM 1-1/4" x 1-1/4" x 1/8" ANGLE.
 BASE RING SHALL BE FABRICATED FROM 1-1/2" x 1/2" x 1/8" CHANNEL. HANDLES
 AND SUSPENSION BRACKETS SHALL BE FABRICATED FROM 1-1/4" x 1/4" FLAT STOCK.



TYPE 24 INLET FILTER

NOTE:

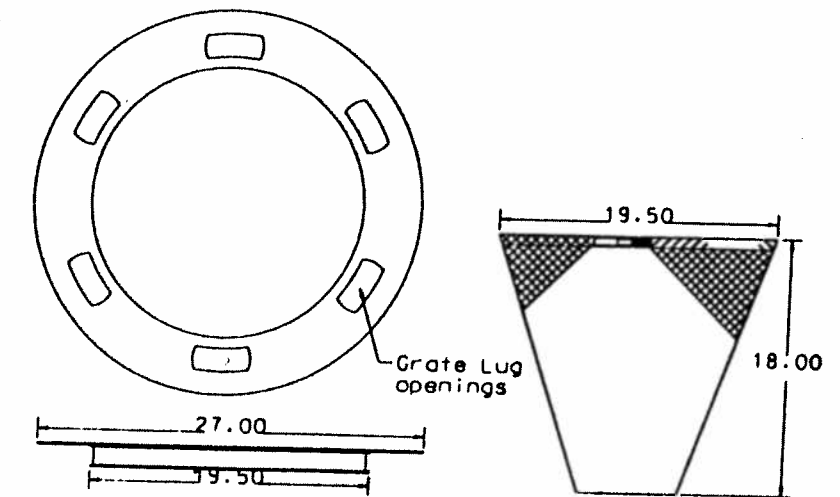
FRAME: TOP PIECE SHALL BE FABRICATED FROM 1-1/4" x 1-1/4" x 1/8" ANGLE.
 BASE PIECE SHALL BE FABRICATED FROM 1-1/2" x 1-1/2" x 1/8" CHANNEL.
 HANDLES AND SUSPENSION BRACKETS SHALL BE FABRICATED FROM 1-1/4" x 1/4" FLAT STOCK.



TYPE 23 INLET FILTER

NOTE:

FRAME: TOP PIECE SHALL BE FABRICATED FROM 1-1/4" x 1-1/4" x 1/8" ANGLE.
 BASE PIECE SHALL BE FABRICATED FROM 1-1/2" x 1/2" x 1/8" CHANNEL. HANDLES
 AND SUSPENSION BRACKETS SHALL BE FABRICATED FROM 1-1/4" x 1/4" FLAT STOCK.



TYPE 8 INLET FILTER

NOTE:

FRAME: FLANGE SHALL BE FABRICATED FROM 1/8" FLAT STOCK.
 BASE RING SHALL BE FABRICATED FROM 1-1/2" x 1/2" x 1/8" CHANNEL.

FILE NAME *	USER NAME * galbany	DESIGNED -	REVISED -	STATE OF ILLINOIS DEPARTMENT OF TRANSPORTATION	INLET FILTER DETAILS		P.A.P. RTE.	SECTION	COUNTY	TOTAL SHEETS	SHEET NO.
cd:\pe_work\pwsdot\galbany\ad384828\PI5	488-Design.dgn	DRAWN -	REVISED -				345	TY-WRS	COOK	97	73
MODEL NAME #	PLOT SCALE * 100.0000 1/ in.	CHECKED -	REVISED -				SCALE: SHEET OF SHEETS STA. TO STA.		CONTRACT NO. 60N18		ILLINOIS FED. AID PROJECT
	PLOT DATE * 2/1/2013	DATE -	REVISED -								