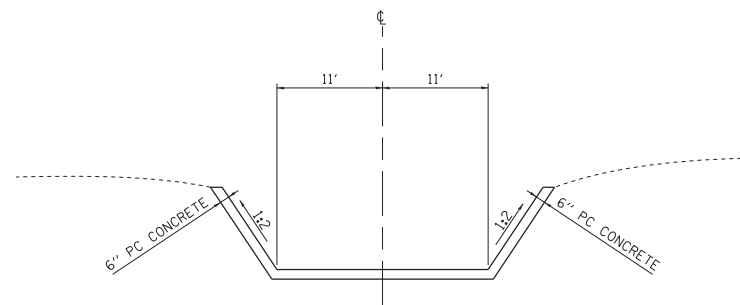


**PROPOSED LEGEND**

- ① AGGREGATE SUBGRADE IMPROVEMENT 12"
- ② AGGREGATE BASE COURSE, TYPE B 8"
- ③ SEEDING, CLASS 3
- ④ TOPSOIL FURNISH AND PLACE, 4"
- ⑤ EROSION CONTROL BLANKET (SPECIAL)
- ⑥ PAVED DITCH, TYPE A-60
- ⑦ GEOTECHNICAL FABRIC - AS DIRECTED



EXISTING TYPICAL SECTION  
WAUBONSIE CREEK SPILLWAY  
(NTS)

FILE NAME = Q:\DOT\_25368367\_US\_34.ctb CN Ph2\Drawings-Advance Cont-\Roadway\Typical\Section\0160T83-Sht-Typical.dgn



USER NAME = URS	DESIGNED - MB	REVISED -
	DRAWN - KJB	REVISED -
PLOT SCALE = 10.0000' / in.	CHECKED - SPF	REVISED -
PLOT DATE = 5/13/2013	DATE - 5/13/2013	REVISED -

STATE OF ILLINOIS  
DEPARTMENT OF TRANSPORTATION

**PROPOSED TYPICAL SECTIONS**

SCALE: SHEET NO. OF SHEETS STA. TO STA.

F.A.P. RTE.	SECTION	COUNTY	TOTAL SHEETS	SHEET NO.
311	2012-0371	DUPAGE	45	8
FED. ROAD DIST. NO. 1 ILLINOIS FED. AID PROJECT			CONTRACT NO. 60T83	