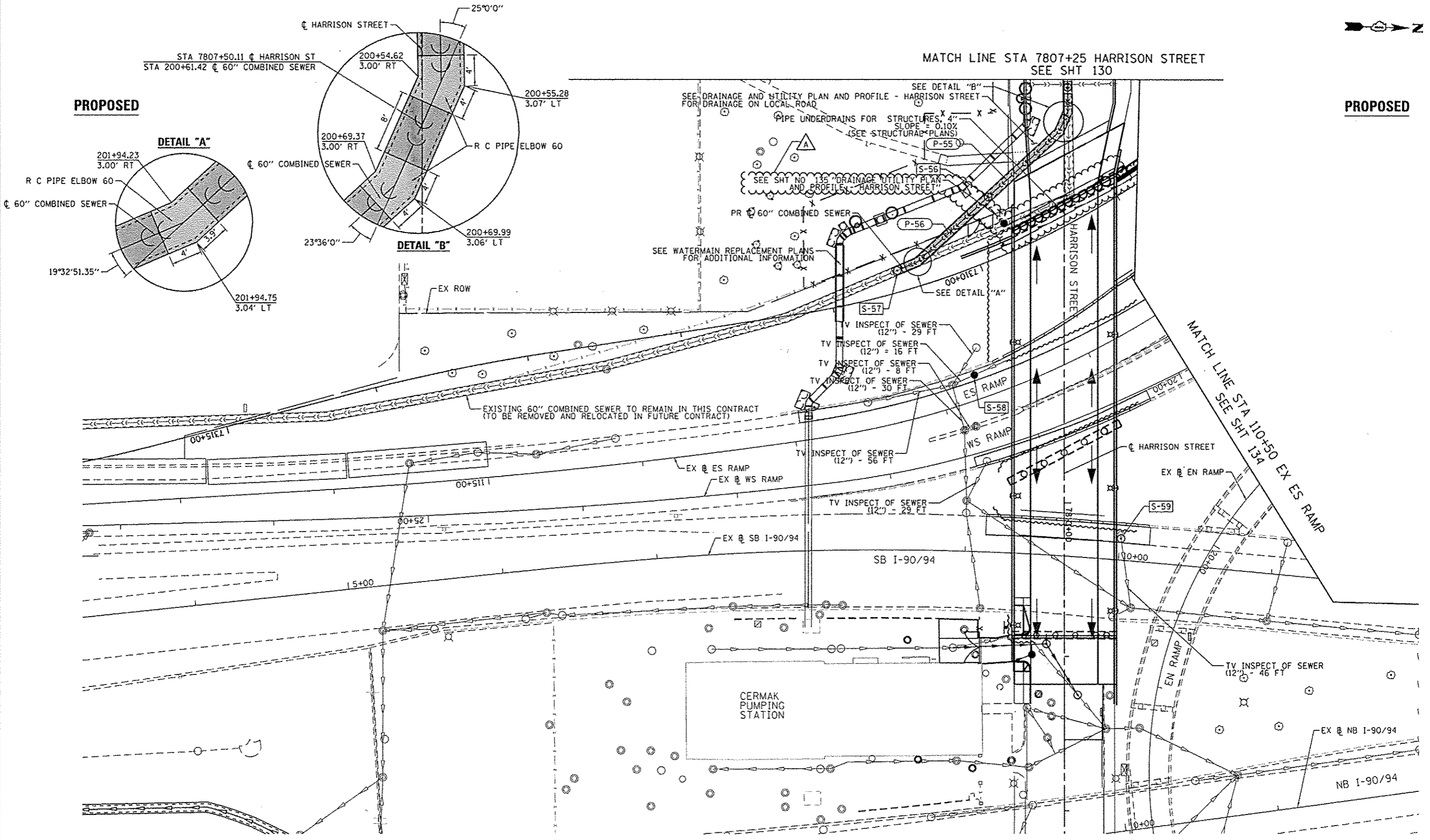


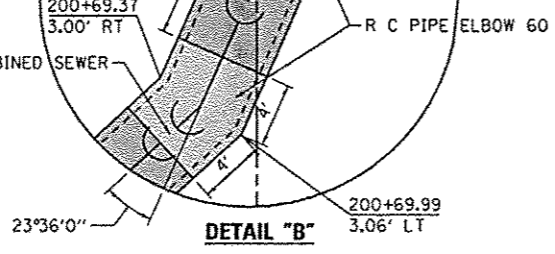
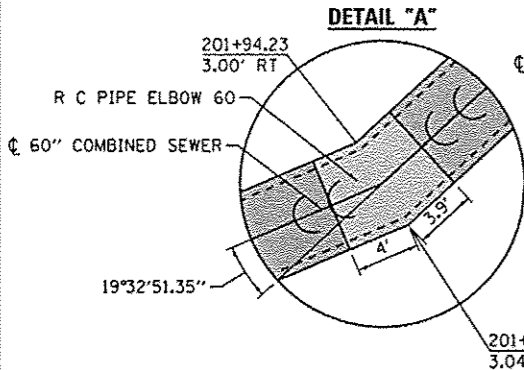
PROPOSED



GRAPHIC SCALE



PROPOSED



FILE PATH: \\p1\1\380839\p1\1\380839\Drawings\60W26\60W26-ht-Drain-09.dgn



D:\60W26-ht-Drain-09.dgn
USER NAME = chizu
PLOT SCALE = 30.0000 1/ in.
PLOT DATE = 10/13/2013

DESIGNED - AFC	REVISED - 10/15/2013
DRAWN - DMS	REVISED -
CHECKED - EY	REVISED -
DATE - 9/15/13	REVISED -

STATE OF ILLINOIS
DEPARTMENT OF TRANSPORTATION

DRAINAGE AND UTILITY PLAN
RAMP ES AND SB I-90/94

SCALE: 1"=30' SHEET 9 OF 10 SHEETS STA. TO STA.

F.A.I. RTE.	SECTION	COUNTY	TOTAL SHEETS	SHEET NO.
90/94/290	2013-008R	COOK	559	138
CONTRACT NO. 60W26				
ILLINOIS FED. AID PROJECT				