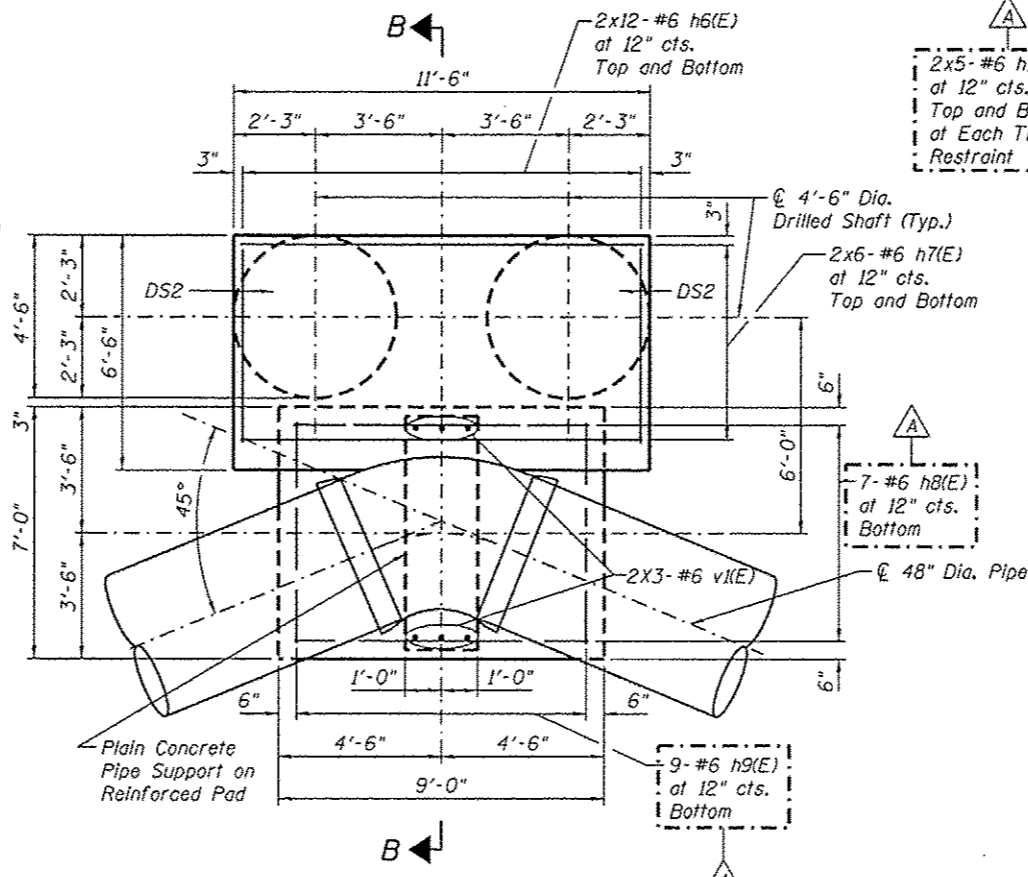
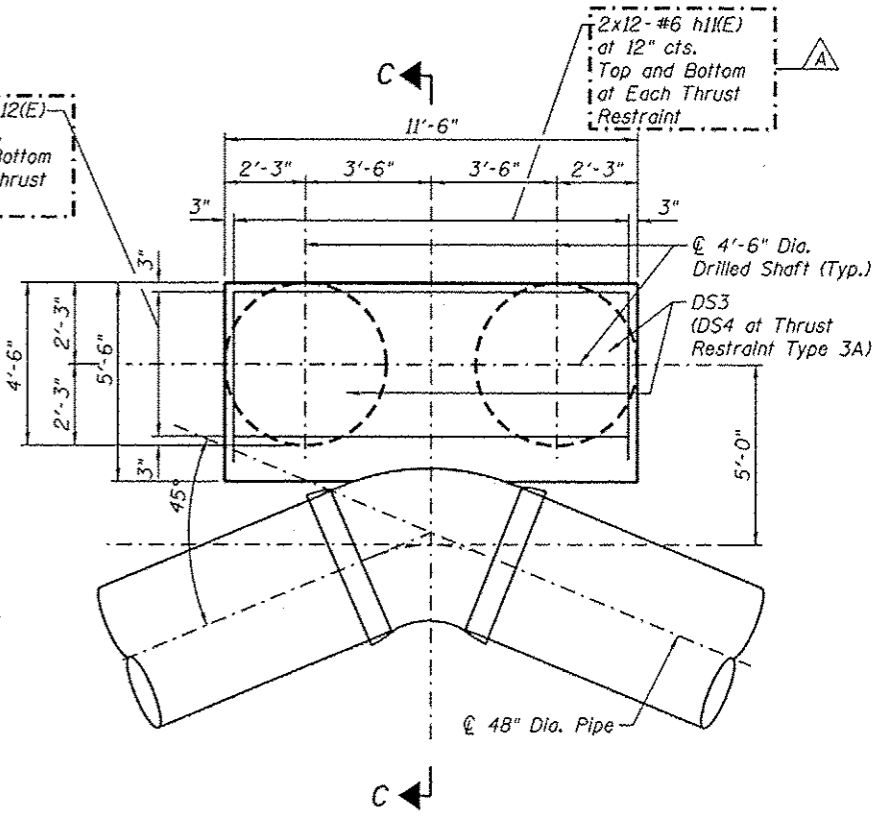


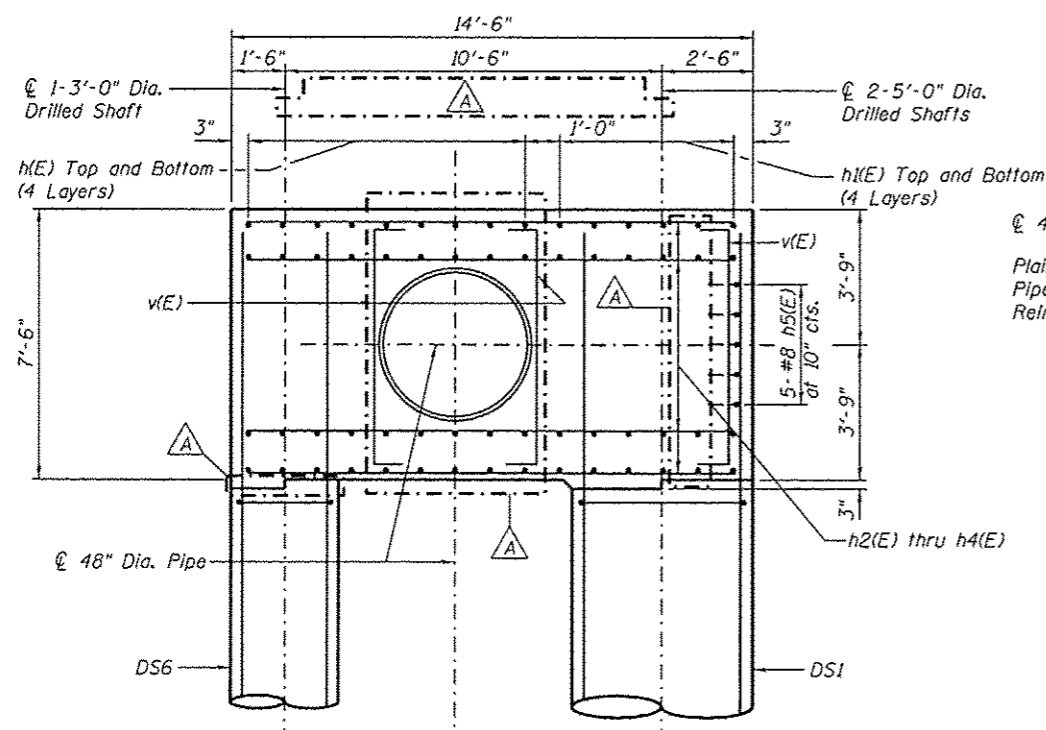
**PLAN DETAIL
THRUST RESTRAINT - TYPE 1**



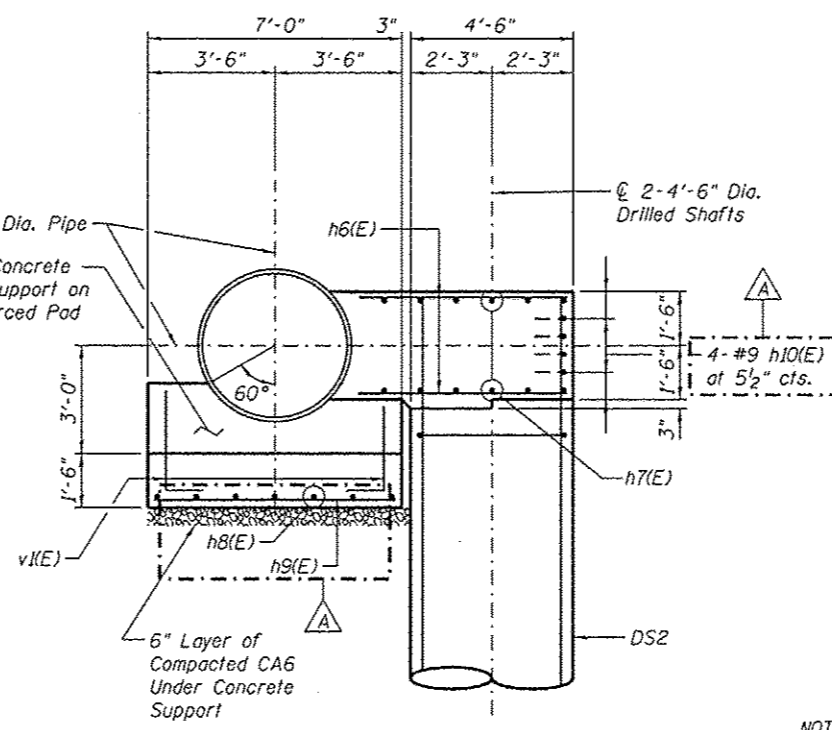
**PLAN DETAIL
THRUST RESTRAINT - TYPE 2**



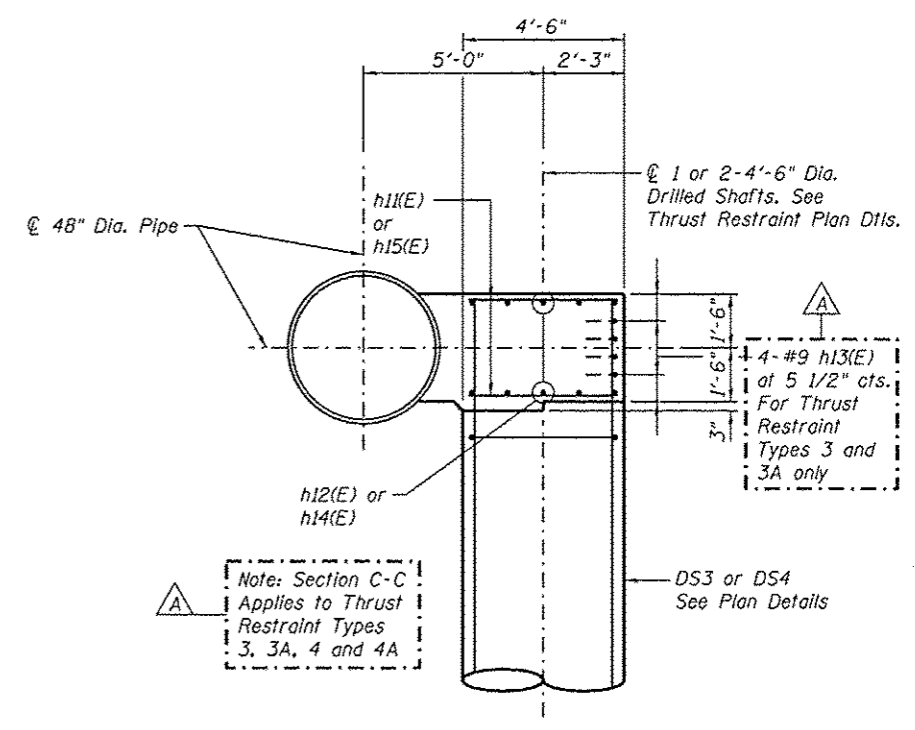
**PLAN DETAIL
THRUST RESTRAINT - TYPE 3 (1 THUS)
THRUST RESTRAINT - TYPE 3A (1 THUS)**



SECTION A-A



SECTION B-B



SECTION C-C

NOTES
1. Work this Sheet with Sheets 148 and 149

D:\60W26-sht-WM-08.dgn



USER NAME = cleord	DESIGNED - AAG	REVISED - A 10/15/2013 A.A.G.
PLAT SCALE = N.T.S.	CHECKED - WWC	REVISED
PLAT DATE = 9/15/2013	DRAWN - DLC	REVISED
	CHECKED - AAG, WWC	REVISED

**STATE OF ILLINOIS
DEPARTMENT OF TRANSPORTATION**

**WATER MAIN THRUST RESTRAINTS
PLAN DETAILS AND SECTIONS**

SHEET NO. 1 OF 4 SHEETS

F.A.I. RTE. 90/94/290	SECTION 2013-008R	COUNTY COOK	TOTAL SHEETS 559	SHEET NO. 147
CONTRACT NO. 60W26			ILLINOIS FED. AID PROJECT	