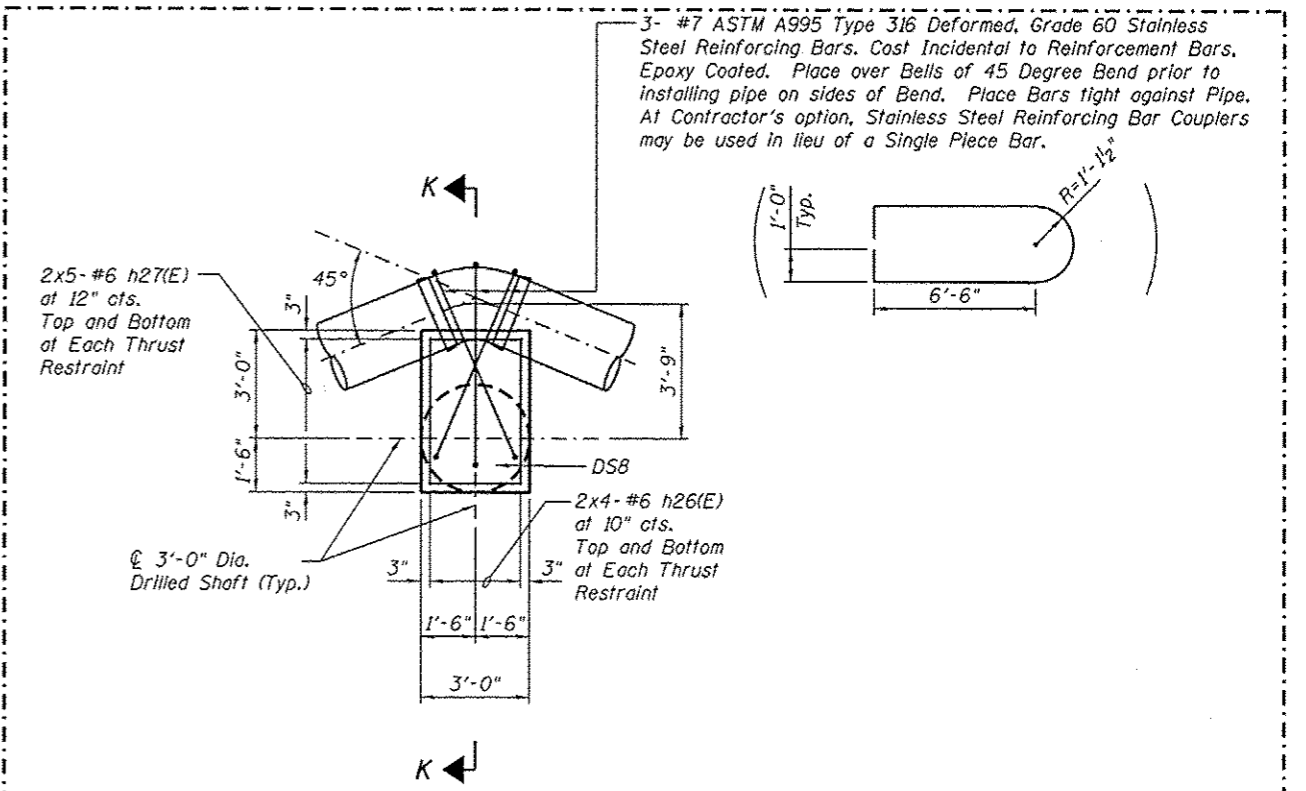
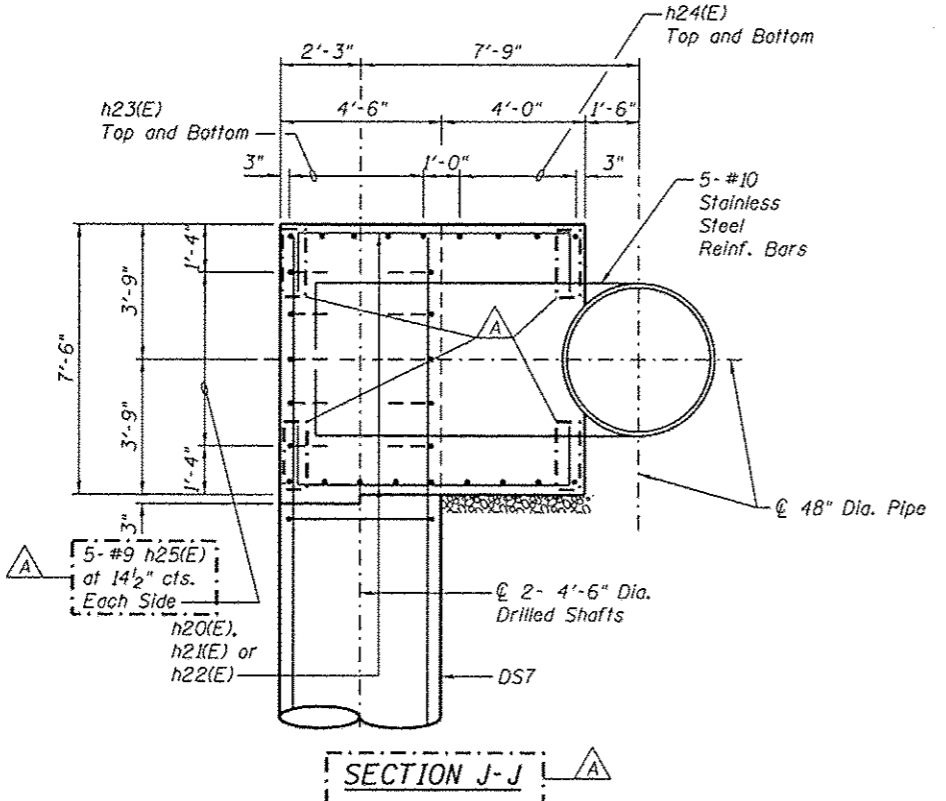


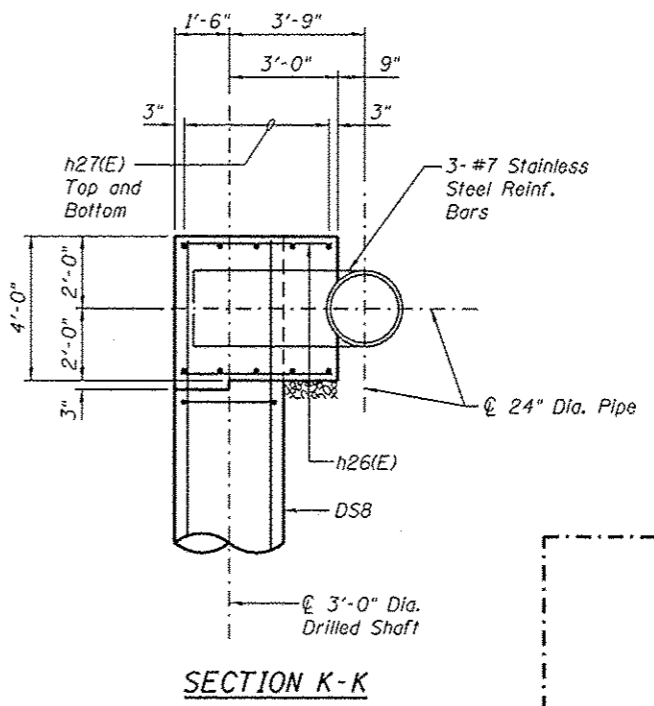
**PLAN DETAIL  
THRUST RESTRAINT - TYPE 7**



**PLAN DETAIL  
THRUST RESTRAINT - TYPE 8 (2 THUS)**



**SECTION J-J**



**SECTION K-K**

**NOTES:**  
1. Work this Sheet with Sheets 148 and 149

D:\EOW26-srt+mm-09A.dgn



USER NAME = cloard  
PLOT SCALE = N.T.S.  
PLOT DATE = 9/15/2013

DESIGNED - AAG  
CHECKED - WWC  
DRAWN - DLC  
CHECKED - AAG, WWC

REVISED 10/15/2013 A.A.G.  
REVISED  
REVISED  
REVISED

**STATE OF ILLINOIS  
DEPARTMENT OF TRANSPORTATION**

**WATER MAIN THRUST RESTRAINTS  
PLAN DETAILS AND SECTIONS**

SHEET NO. 3 OF 4 SHEETS

F.A.I. RTE.	SECTION	COUNTY	TOTAL SHEETS	SHEET NO.
90/94/290	2013-008R	COOK	559	148A
CONTRACT NO. 60W26			ILLINOIS FED. AID PROJECT	