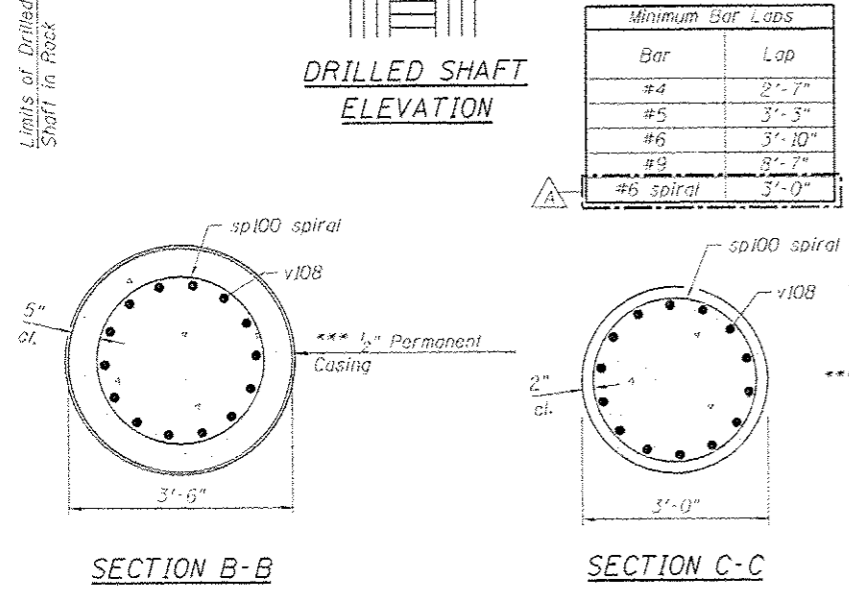
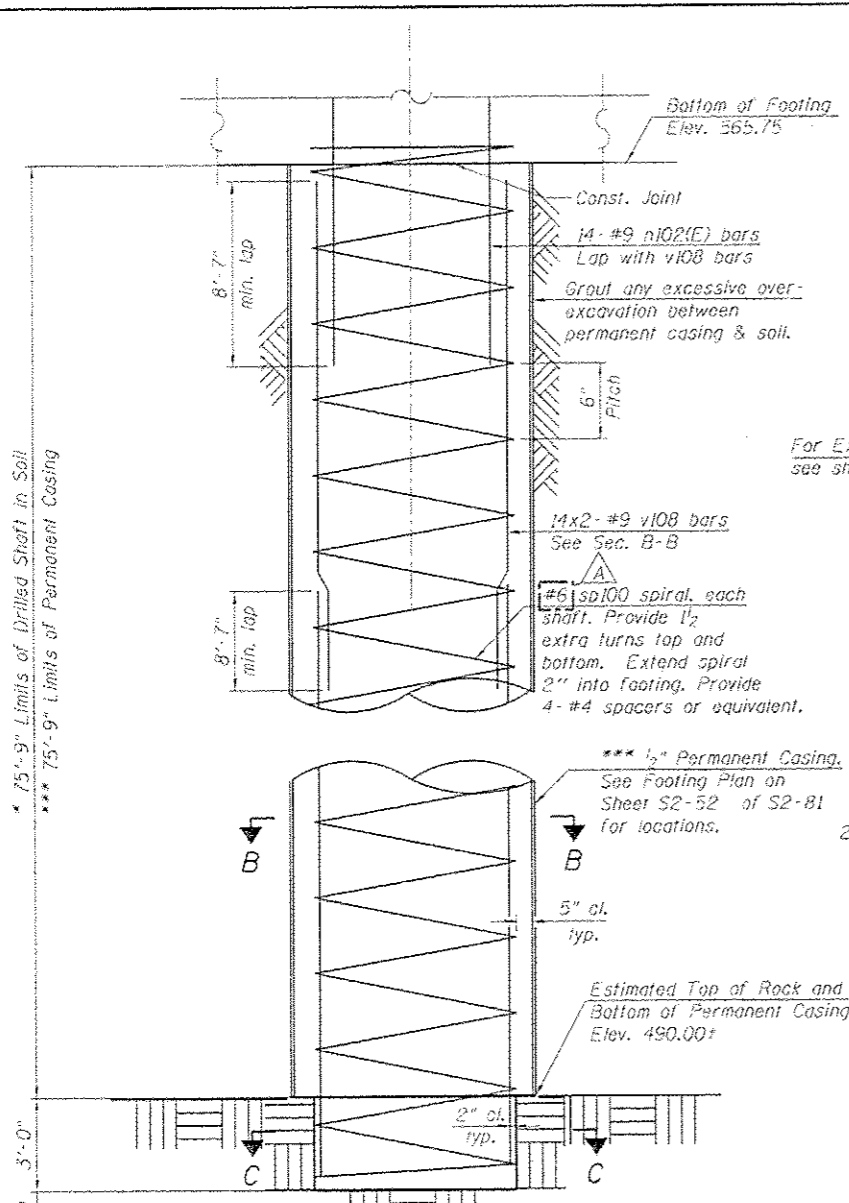
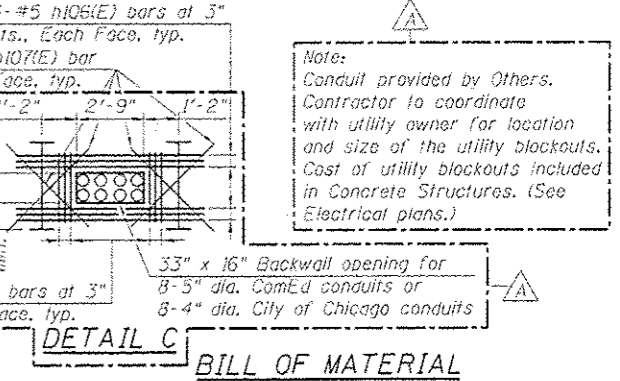
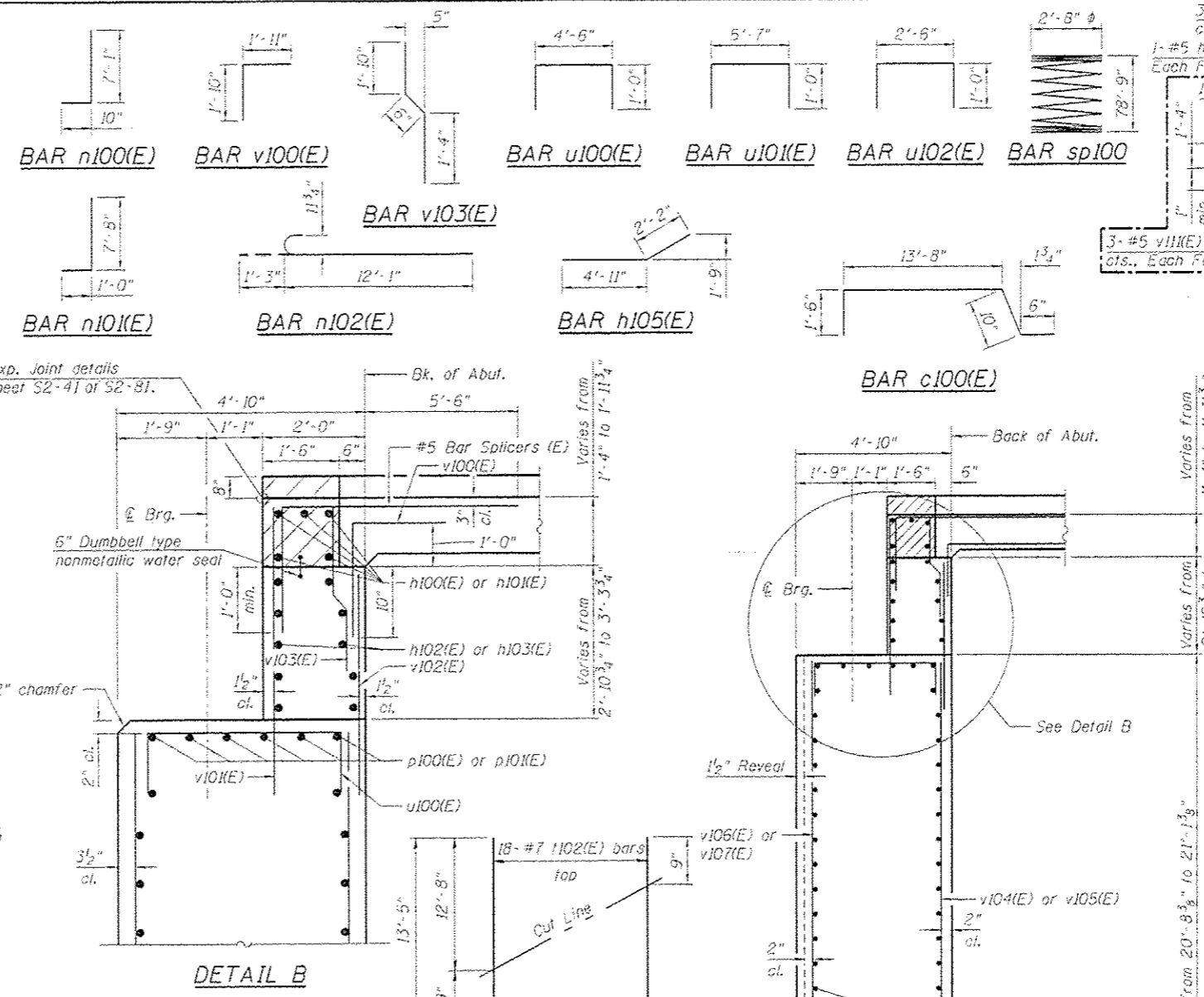


Limits of Drilled Shaft in Soil  
\*\*\* 7.5'-9" Limits of Permanent Casing



Minimum Bar Laps	
Bar	Lap
#4	2'-7"
#5	3'-3"
#6	3'-10"
#9	8'-7"
#6 spiral	3'-0"



Bar	No.	Size	Length	Shape
b100(E)	26	#5	1'-6"	
c100(E)	6	#5	16'-6"	
n100(E)	5	#6	47'-10"	
n101(E)	5	#6	44'-11"	
n102(E)	8	#5	47'-10"	
n103(E)	8	#5	44'-11"	
n104(E)	4	#5	3'-8"	
n105(E)	4	#5	7'-1"	
n106(E)	24	#5	9'-3"	
n107(E)	16	#5	4'-0"	
n108(E)	8	#5	2'-10"	
n100(E)	95	#5	7'-11"	
n101(E)	188	#6	8'-8"	
n102(E)	252	#9	13'-4"	
p100(E)	6	#6	47'-10"	
p101(E)	6	#6	44'-11"	
p102(E)	42	#5	47'-10"	
p103(E)	42	#5	44'-11"	
p104(E)	4	#6	24'-6"	
sp100	18	#6	78'-9"	
u100(E)	300	#7	13'-5"	
u101(E)	8	#7	16'-3"	
u102(E)	72	#7	13'-5"	
u100(E)	95	#6	6'-6"	
u101(E)	4	#6	7'-7"	
u102(E)	26	#6	4'-5"	
v100(E)	95	#5	3'-9"	
v101(E)	95	#5	5'-7"	
v102(E)	95	#5	3'-9"	
v103(E)	95	#5	3'-8"	
v104(E)	97	#6	20'-6"	
v105(E)	91	#6	20'-4"	
v106(E)	49	#5	20'-6"	
v107(E)	46	#5	20'-4"	
v108	504	#9	43'-8"	
v109(E)	4	#5	4'-6"	
v110(E)	6	#5	4'-2"	
v111(E)	24	#5	2'-8"	
w100(E)	30	#5	47'-10"	
w101(E)	30	#5	44'-11"	
Structure Excavation		Cu. Yd.	1646	
Concrete Structures		Cu. Yd.	536.2	
Concrete Superstructure		Cu. Yd.	9.6	
Reinforcement Bars		Pound	110,570	
Reinforcement Bars, Epoxy Coated		Pound	45,660	
Permanent Casing		Foot	228	
Drilled Shaft in Soil		Cu. Yd.	485.9	
Drilled Shaft in Rock		Cu. Yd.	14.1	
Concrete Sealer		Sq. Ft.	1934	
Geocomposite Wall Drain		Sq. Yd.	250	
Granular Backfill for Structures		Cu. Yd.	334	