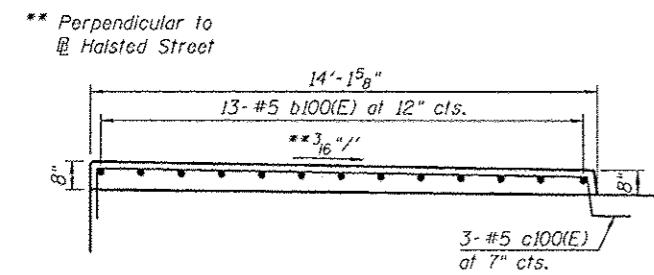
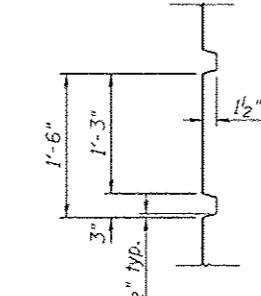


SOUTH ABUTMENT ELEVATION - ARCHITECTURAL DETAILS
(Looking South)

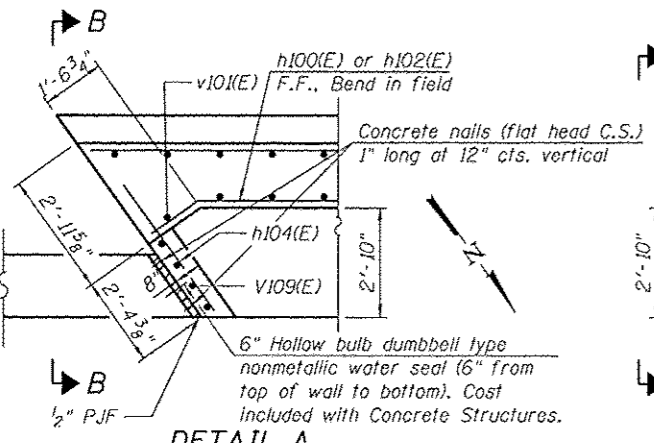
Note:
The 3" x 1/2" reveal will not be paid separately and shall be included in the cost of the pay item "Concrete Structures".



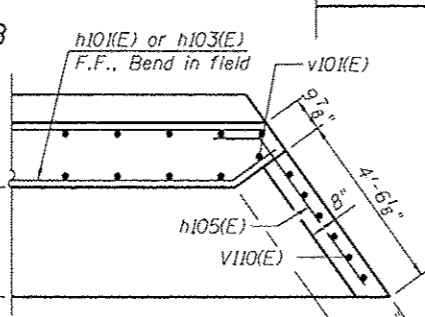
SIDEWALK DETAIL
(East sidewalk shown, West sidewalk similar, opp. hand)



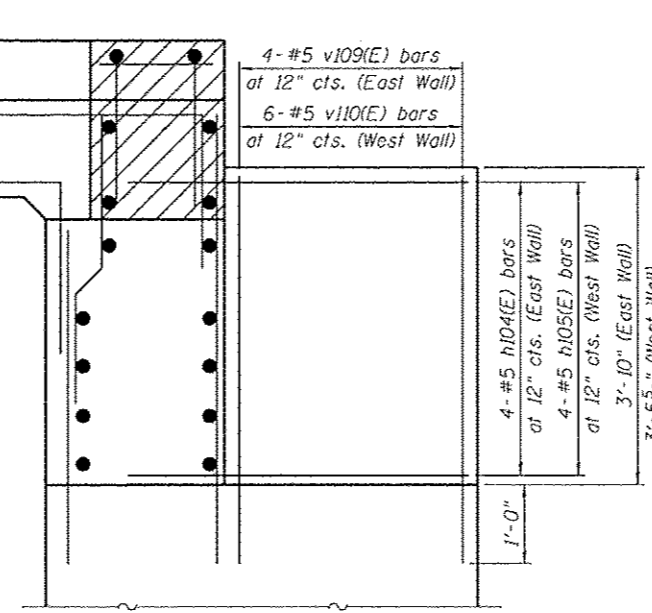
DETAIL E
(Typical Reveal Detail)



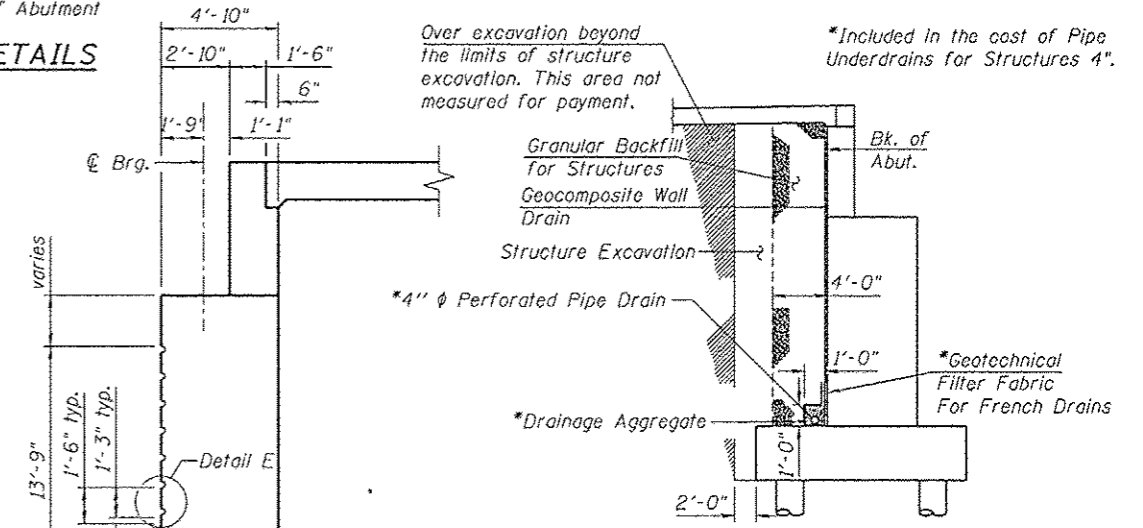
DETAIL A
(East Wall)



DETAIL D
(West Wall)



SECTION B-B



SECTION THRU ABUTMENT

All drainage system components shall extend to the end of the Southwest Soil Retention System to the West and to Retaining Wall 13 to the East. An outlet pipe shall extend from the West end of the Southwest Soil Retention System to drain into proposed drainage structure S-20.

BILL OF MATERIAL

Item	Unit	Total
Pipe Underdrains for Structures 4"	Foot	151

12/21/15 PM 0161716-60W26-5054-Abutment_SouthDet01S2.dgn



USER NAME = BAWITort	DESIGNED - JRM	REVISED
PLOT SCALE = 0:1.0000 1" / in.	CHECKED - MOS	REVISED
PLOT DATE = 10/14/2013	DRAWN - RLS	REVISED
	CHECKED - MOS	REVISED

STATE OF ILLINOIS
DEPARTMENT OF TRANSPORTATION

SOUTH ABUTMENT DETAILS 2
STRUCTURE NO. 016-1716
SHEET NO. S2-54 OF S2-81 SHEETS

F.A.U. RTE. 3730	SECTION 2013-008R	COUNTY COOK	TOTAL SHEETS 559	SHEET NO. 414
CONTRACT NO. 60W26			ILLINOIS FED. AID PROJECT	