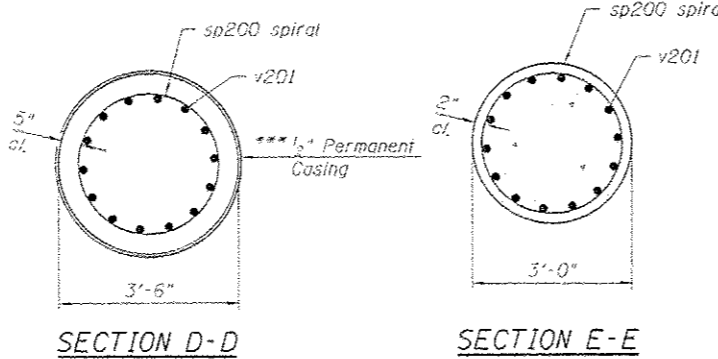
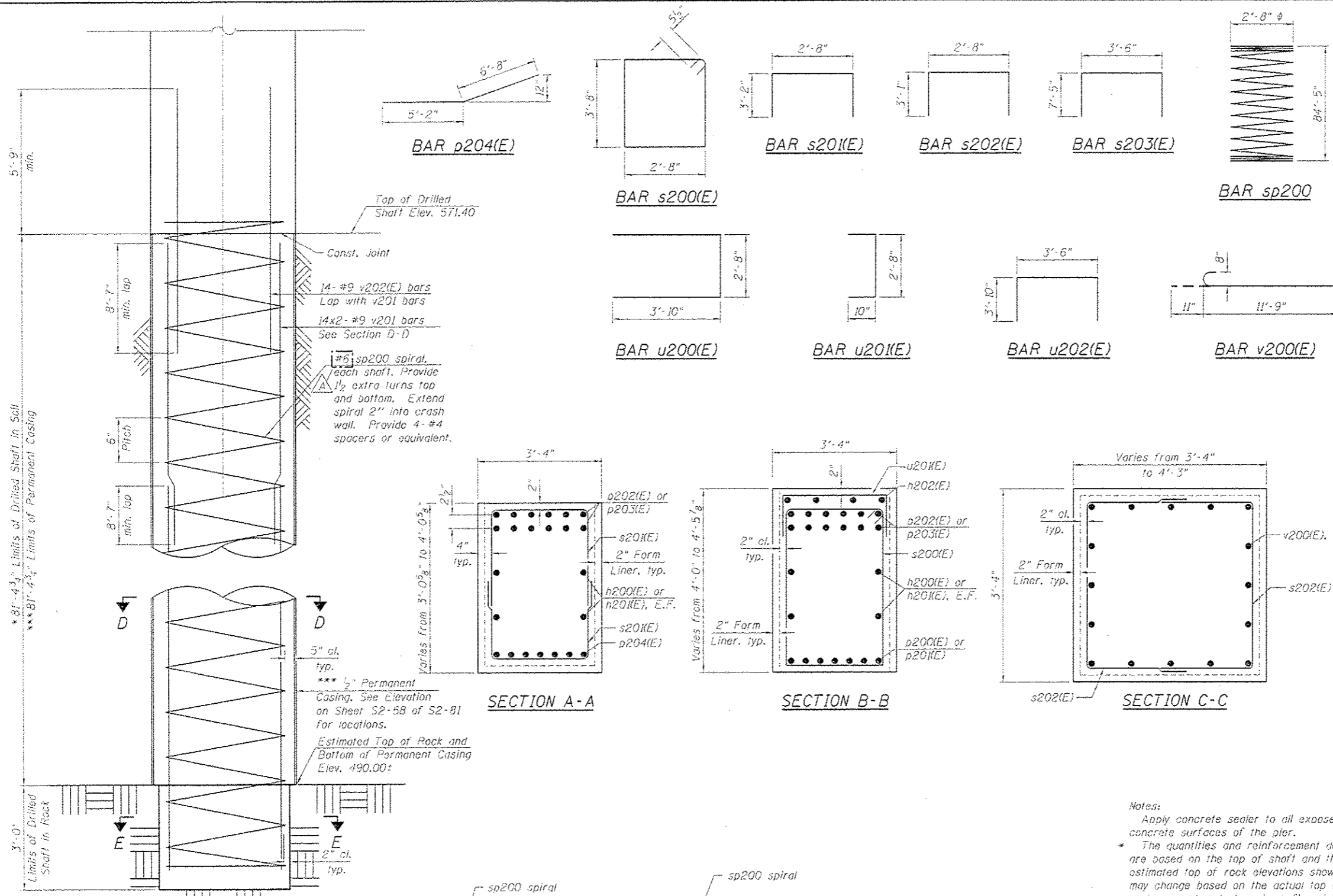


BILL OF MATERIAL

Bar	No.	Size	Length	Shape
h200(E)	4	#5	44'-10"	—
h201(E)	4	#5	41'-0"	—
h202(E)	4	#5	28'-7"	—
h203(E)	12	#7	38'-10"	—
h204(E)	12	#7	35'-0"	—
h205(E)	20	#5	38'-10"	—
h206(E)	20	#5	35'-0"	—
p200(E)	7	#7	38'-2"	—
p201(E)	7	#7	34'-4"	—
p202(E)	12	#9	45'-1"	—
p203(E)	12	#9	41'-3"	—
p204(E)	14	#7	11'-10"	—
s200(E)	149	#5	13'-7"	□
s201(E)	56	#5	9'-0"	□
s202(E)	84	#4	8'-10"	□
s203(E)	300	#6	18'-4"	□
sp200	8	#6	84'-5"	—
u200(E)	10	#6	10'-4"	□
u201(E)	30	#5	4'-4"	□
u202(E)	24	#6	11'-2"	□
v200(E)	96	#8	12'-8"	—
v201	224	#9	46'-4"	—
v202(E)	112	#9	14'-5"	—
Structure Excavation		Cu. Yd.	68	
Concrete Structures		Cu. Yd.	179.7	
Reinforcement Bars		Pound	52,320	
Reinforcement Bars, Epoxy Coated		Pound	29,590	
Permanent Casing		Foot	82	
Drilled Shaft in Soil		Cu. Yd.	232.1	
Drilled Shaft in Rock		Cu. Yd.	6.3	
Concrete Sealer		Sq. Ft.	3773	

Bars indicated thus 1x15 etc., indicates 1 line of bars with 15 lengths per line.



Bar	Lap
#4	2'-7"
#5	3'-3"
#6	3'-10"
#7	5'-2"
#8	6'-9"
#9	2'-7"
#6 spiral	3'-0"

Notes:
 Apply concrete sealer to all exposed concrete surfaces of the pier.
 * The quantities and reinforcement detailing are based on the top of shaft and the estimated top of rock elevations shown and may change based on the actual top of rock encountered at each shaft and the final top of shaft elevation.
 ** Length is height of spiral.

*** Contractor may need to increase the casing thickness to withstand the installation process. The Estimated Top of Rock/Bottom of Permanent Casing Elevation is shown. The limits of casing shall be adjusted as necessary, and as approved, such that the actual installed casing length extends to the as-encountered top of rock at each shaft. See Article 516.06(d) of the Standard Specifications.
 When Contractor's means and methods include initiating drilling for shafts at elevations higher than the final top of shaft elevation (e.g. Existing Ground Elevation), the costs for drilling, disposing of excavation, providing casing and backfilling of drilled shafts or other appurtenant work activities in the areas between the elevation where drilling is initiated and the proposed elevation of the top of shaft shall not be paid for separately but shall be included in the cost of Drilled Shaft in Soil.

231141.P1
 016176-00W26-S059-Pier 1.DwgTitle.dgn