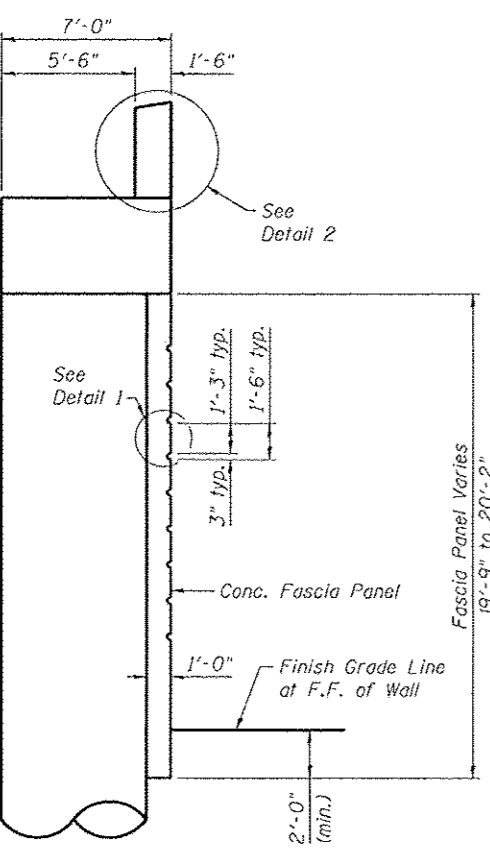
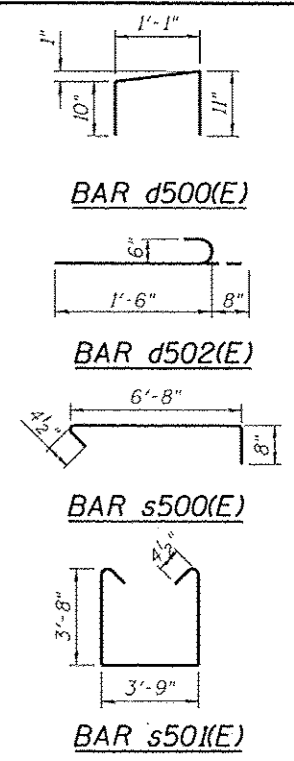
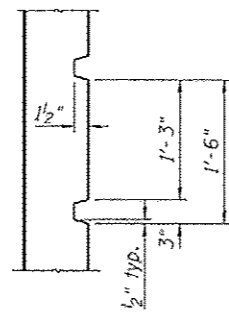


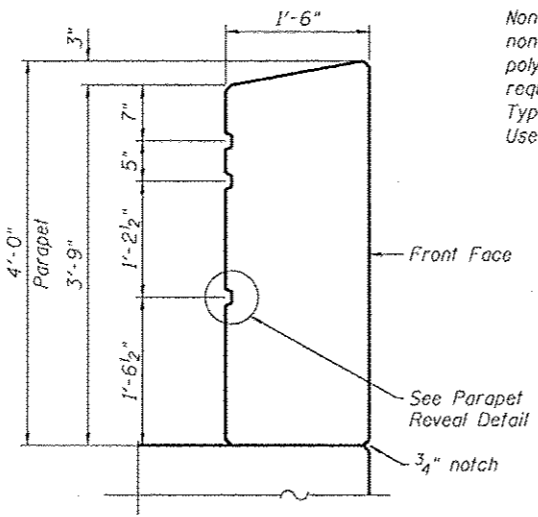
ELEVATION
(Looking West)



SECTION A-A



DETAIL 1



DETAIL 2

Non-staining gray one component non-sag elastomeric gun grade polyurethane sealant meeting the requirements of ASTM C-920, Type S, Grade NS, Class 25, Use T with a 5/8" backer rod.

1/2" Preformed Self-Expanding Cork Joint Filler according to Article 1051.07 of the Std. Spec. Cost included with Concrete Superstructure.

Non-staining gray one component non-sag elastomeric gun grade polyurethane sealant meeting the requirements of ASTM C-920, Type S, Grade NS, Class 25, Use T with a 5/8" backer rod.

1/2" Preformed Self-Expanding Cork Joint Filler according to Article 1051.07 of the Std. Spec. Cost included with Concrete Superstructure.

NOTES:

- The 3" x 1/2" reveal in the fascia wall will not be paid separately and shall be included in the cost of the pay item Class SI Concrete Miscellaneous.
- Parapet reveal will not be paid separately and shall be included in the cost of pay item Concrete Superstructures.
- Prior to fascia panel construction the Contractor shall submit retaining wall and abutments elevations showing reveal spacing and location to the Engineer for review and approval.
- Work this sheet with Sheet RW-03 & RW-04.

BILL OF MATERIAL

Bar	No.	Size	Length	Shape
d500(E)	164	#5	2'-10"	[U]
d501(E)	328	#5	6'-4"	[U]
d502(E)	784	#6	2'-2"	[U]
e500(E)	60	#5	32'-1"	[—]
e501(E)	12	#5	16'-0"	[—]
h500(E)	369	#6	32'-1"	[—]
h501(E)	123	#6	17'-6"	[—]
h502(E)	41	#6	20'-4"	[—]
p500(E)	110	#6	32'-6"	[—]
p501(E)	22	#6	16'-2"	[—]
s500(E)	164	#4	7'-8 1/2"	[U]
s501(E)	328	#4	11'-10"	[U]
sp500	14	#6	79'-9"	[W]
v500(E)	656	#5	11'-7"	[—]
v501	544	#14	41'-9"	[—]
v502	544	#14	40'-0"	[—]
Structure Excavation		Cu. Yd.	467	
Concrete Structures		Cu. Yd.	170	
Concrete Superstructure		Cu. Yd.	36	
Reinforcement Bars, Epoxy Coated		Pound	14,200	
Drilled Shaft In Soil		Cu. Yd.	1,173	
Concrete Sealer		Sq. Ft.	6,418	
Geocomposite Wall Drain		Sq. Yd.	44	
Pipe Underdrain For Structures 4"		Foot	170	
Class SI Concrete Miscellaneous		Cu. Yd.	167	
Crosshole Sonic Logging		Each	1	
Reinforcement Bars		Pound	457,210	
Mechanical Splicers		Each	544	

* Length is height of spiral
** Shown for information only. Cost included with Class SI Concrete Special (Fascia Wall).

Entire Sheet Revised



USER NAME = dunkerloyb	DESIGNED - DD	REVISION A 10/15/2013 A.T.B.
PLOT SCALE = N.T.S.	CHECKED - ATB	REVISION
PLOT DATE = 9/15/2013	DRAWN - BRD	REVISION
	CHECKED - ATB	REVISION

STATE OF ILLINOIS
DEPARTMENT OF TRANSPORTATION

ARCHITECTURAL DETAILS
STRUCTURE NO. 016-1802

SHEET NO. RW-05 OF RW-08 SHEETS

F.A.I. RTE. 90/94/290	SECTION 2013-008R	COUNTY COOK	TOTAL SHEETS 559	SHEET NO. 457
CONTRACT NO. 60W26			ILLINOIS FED. AID PROJECT	

0161802-50126-505-Super-Struct