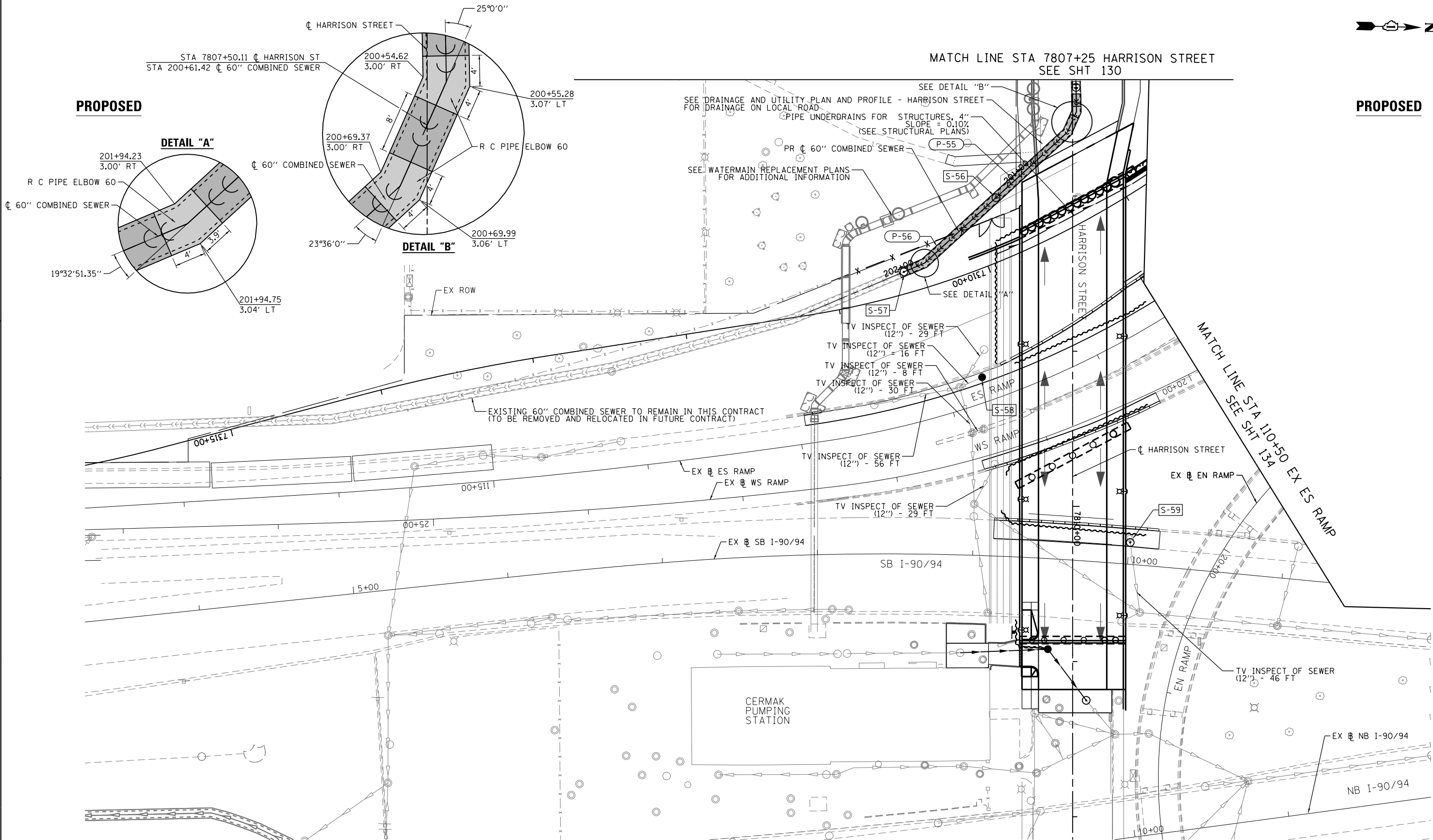




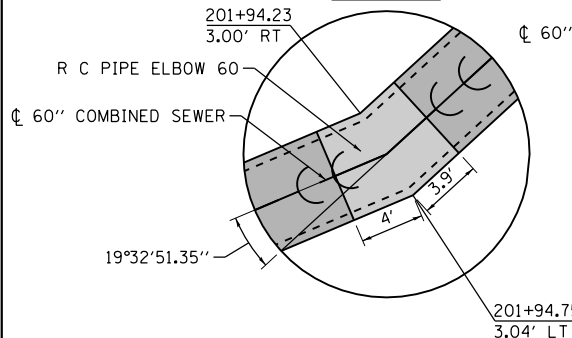
PROPOSED



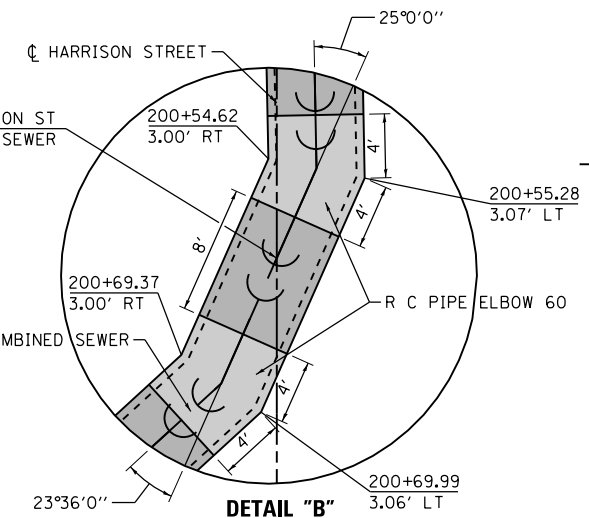
PROPOSED

STA 7807+50.11 ϕ HARRISON ST
 STA 200+61.42 ϕ 60" COMBINED SEWER

DETAIL "A"



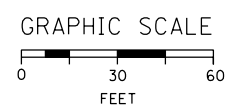
DETAIL "B"



MATCH LINE STA 7807+25 HARRISON STREET
 SEE SHT 130

MATCH LINE STA 110+50 EX ES RAMP
 SEE SHT 134

CERMAK
 PUMPING
 STATION



FILE PATH = p:\1\388039\p\m\l\escomon\me\local\p\AECD\00\Documents\01_Americas\Transportation\60269938_Circle\Phase_1\1000_CAD\006_Roadway_Sheets\60W26-sht-Drain-09.dgn



D160W26-sht-Drain-09.dgn
 USER NAME = chitua
 PLOT SCALE = 30.0000' / in.
 PLOT DATE = 9/12/2013

DESIGNED - AFC	REVISED -
DRAWN - DMS	REVISED -
CHECKED - E EY	REVISED -
DATE - 9/15/13	REVISED -

**STATE OF ILLINOIS
 DEPARTMENT OF TRANSPORTATION**

**DRAINAGE AND UTILITY PLAN
 RAMP ES AND SB I-90/94**

SCALE: 1"=30' SHEET 9 OF 10 SHEETS STA. TO STA.

F.A.I. RTE. 90/94/290	SECTION 2013-008R	COUNTY COOK	TOTAL SHEETS 559	SHEET NO. 138
CONTRACT NO. 60W26				
ILLINOIS FED. AID PROJECT				