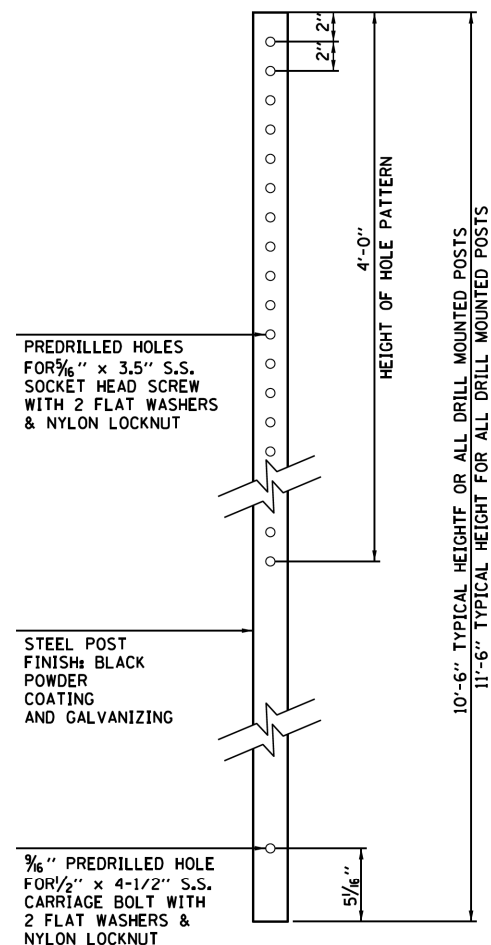
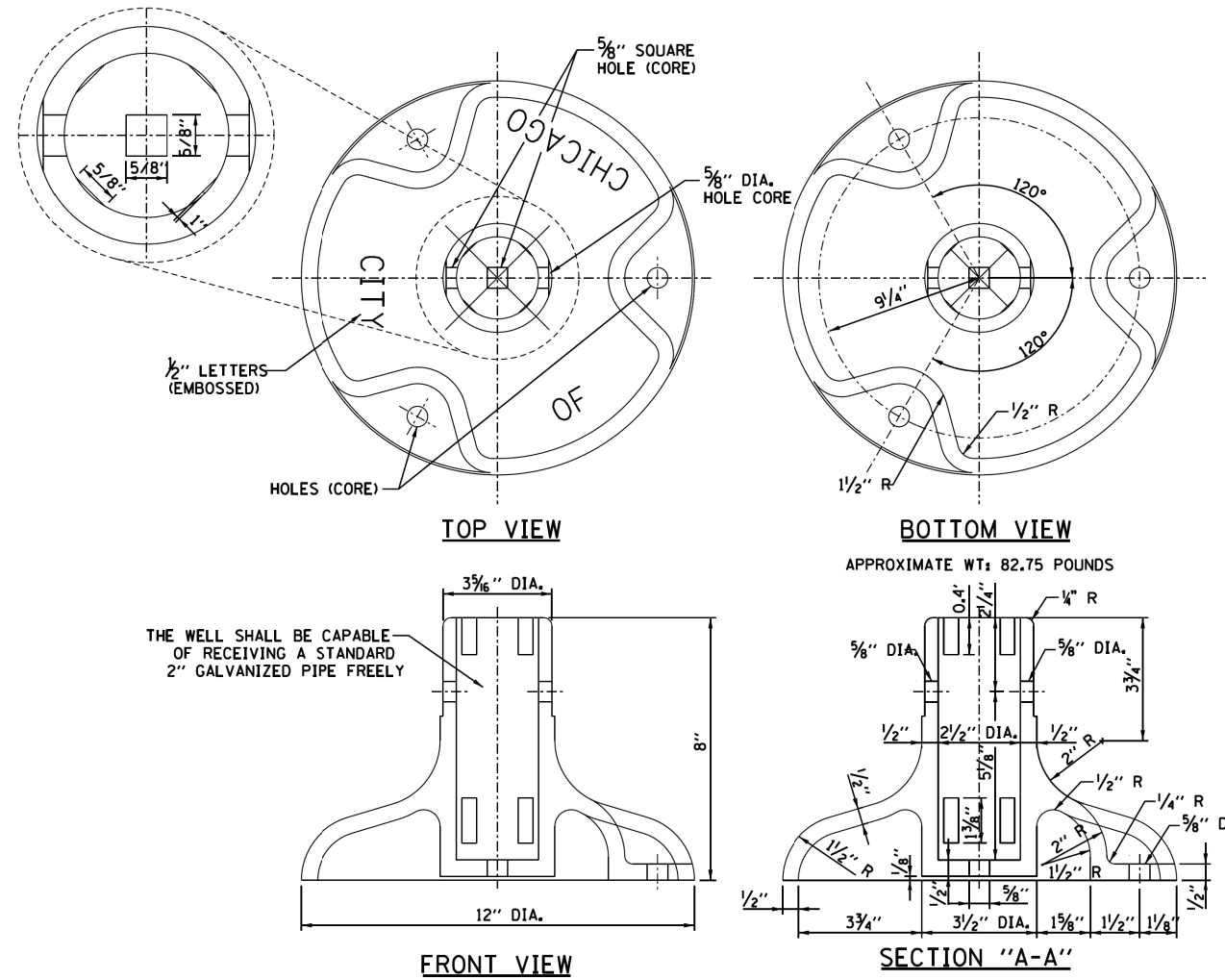


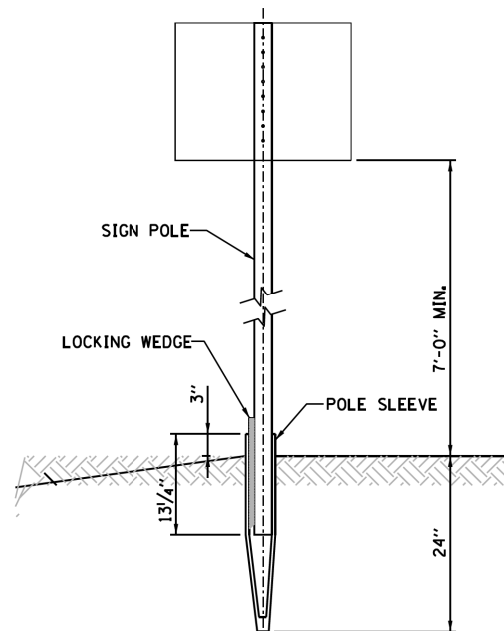
DRILL MOUNTED INSTALLATION DETAIL NOT TO SCALE



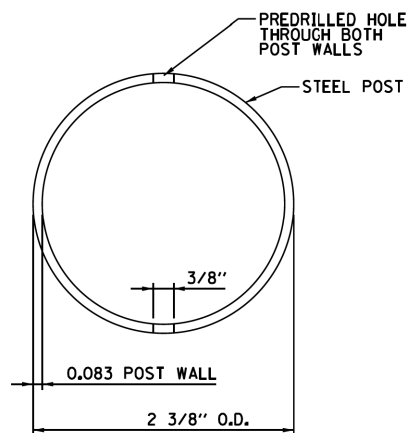
1 ELEVATION: DRILLED SIGN POST NOT TO SCALE



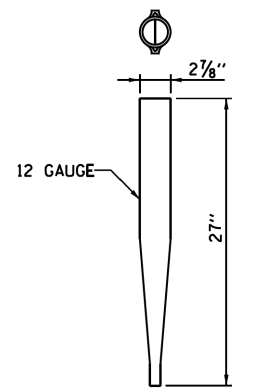
SIGN POLE BASE DETAIL NOT TO SCALE



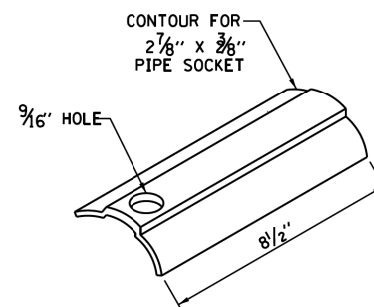
GROUND DIG INSTALLATION DETAIL NOT TO SCALE



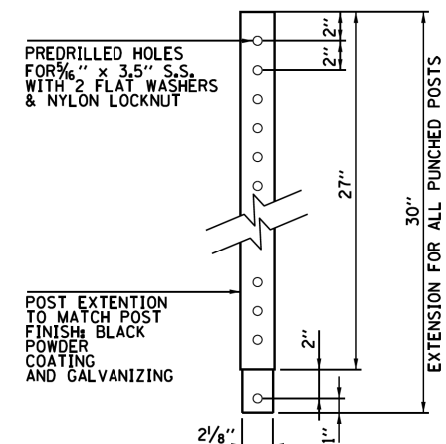
2 ELEVATION: DRILLED POST NOT TO SCALE



PIPE SLEEVE NOT TO SCALE



WEDGE NOT TO SCALE



SECTION: DRILLED POST EXTENSION NOT TO SCALE

NOTE: PROVIDE ADDITIONAL TWO SETS OF PREDRILLED HOLES ON EXTENSION. HOLES SHALL BE LOCATED AT 30° ANGLE TO HOLES SHOWN IN SECTION 3. HOLES SHALL ACCOMMODATE 5/8" x 3.5" S.S. SOCKET HEAD SCREW WITH 2 FLAT WASHERS AND NYLON LOCKNUT.

FILE PATH = c:\pwworking\lucascorrea\work\2013\0820\F55\16160W26-sht-Sign-Det-17.dgn



D160W26-sht-Sign-Det-17.dgn
USER NAME = kolorenz
PLOT SCALE = 10.0000 '' / in.
PLOT DATE = 8/18/2013

DESIGNED - KAL
DRAWN - BAW
CHECKED - JLV
DATE - 8/20/13

REVISED -
REVISED -
REVISED -
REVISED -

STATE OF ILLINOIS
DEPARTMENT OF TRANSPORTATION

SIGNING DETAILS

SCALE: N.T.S. SHEET 1 OF 4 SHEETS STA. TO STA.

F.A.I. RE.	SECTION	COUNTY	TOTAL SHEETS	SHEET NO.
90/94/290	2013-008R	COOK	559	204
CONTRACT NO. 60W26				
ILLINOIS FED. AID PROJECT				