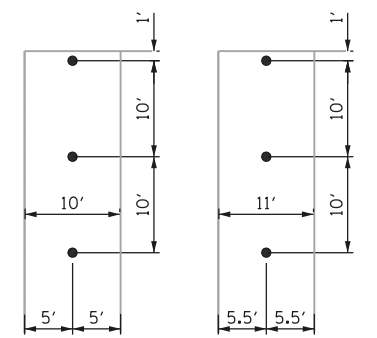


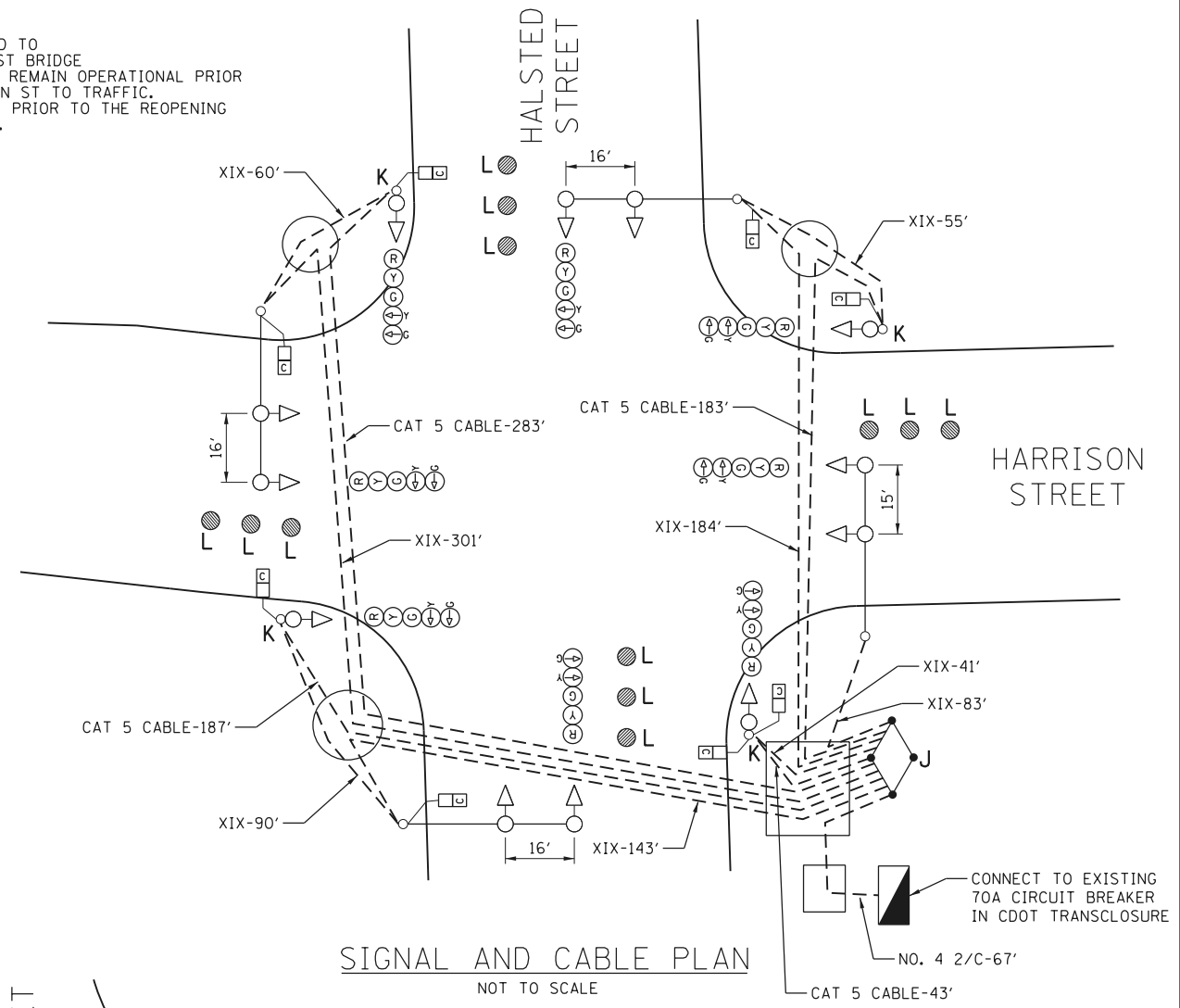
FOUNDATION AND CONDUIT PLAN  
SCALE: 1"=20'

CONSTRUCTION NOTES

1. THE EAST LEG OF HARRISON ST WILL BE CLOSED TO TRAFFIC FOR THE DURATION OF THE HARRISON ST BRIDGE CONSTRUCTION. THE WESTBOUND SIGNALS MUST REMAIN OPERATIONAL PRIOR TO THE CLOSURE OF THE EAST LEG OF HARRISON ST TO TRAFFIC. THE WESTBOUND SIGNALS MUST BE OPERATIONAL PRIOR TO THE REOPENING OF THE EAST LEG OF HARRISON ST TO TRAFFIC.
2. ALL CONDUITS PLACED UNDER PAVEMENT SHALL BE SCHEDULE 80
3. FOR LEGEND SEE DEO DRAWING NO. 826

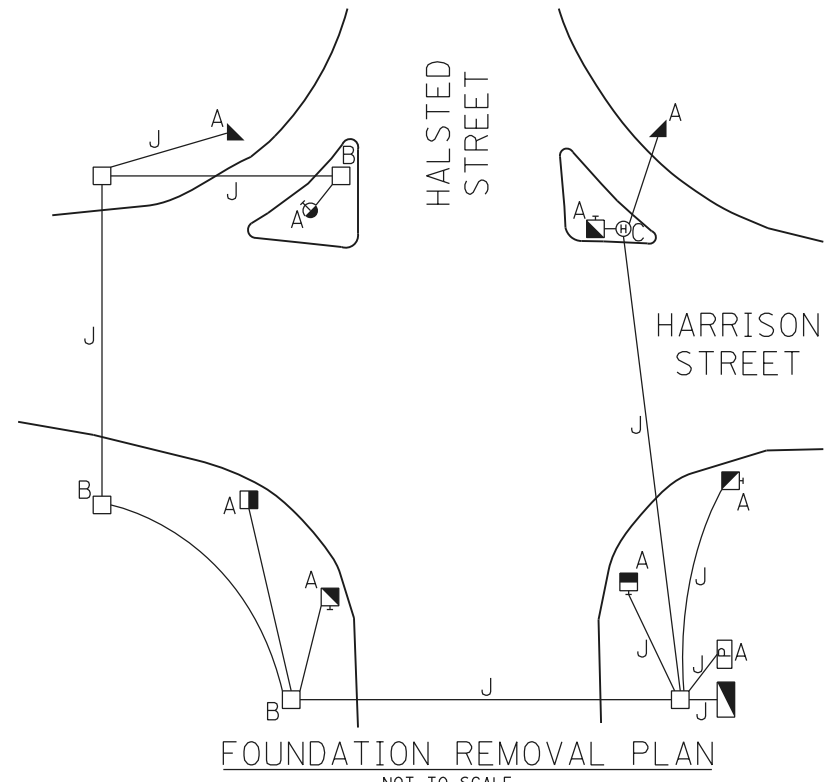


TYPICAL WIRELESS DETECTION LAYOUT



SIGNAL AND CABLE PLAN  
NOT TO SCALE

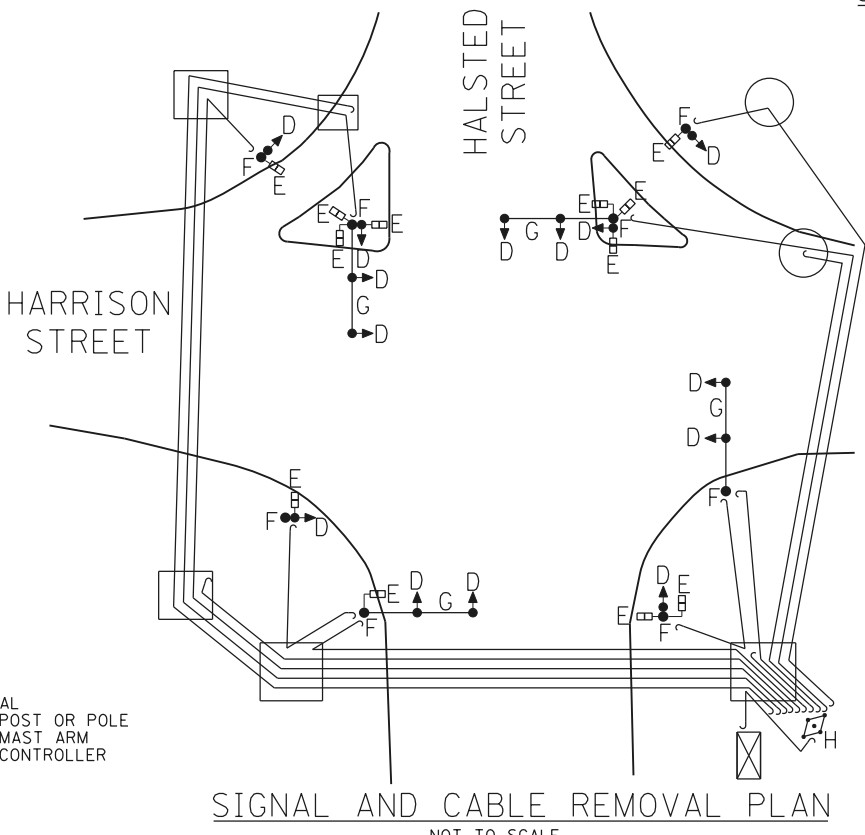
- SIGNAL AND CABLE LEGEND:**
- J - INSTALL WIRELESS DETECTION PACKAGE IN TRAFFIC CONTROLLER
  - K - INSTALL RADIO RECEIVER ON POLE
  - L - INSTALL WIRELESS SENSOR IN PAVEMENT
  - ☐ - LED PEDESTRIAN SIGNAL HEAD WITH COUNTDOWN TIMER
  - - WIRELESS SENSOR IN PAVEMENT



FOUNDATION REMOVAL PLAN  
NOT TO SCALE

REMOVAL LEGEND

- A - BREAKDOWN FOUNDATION
- B - BREAKDOWN MANHOLE
- C - BREAKDOWN HANDHOLE
- D - REMOVE TRAFFIC SIGNAL
- E - REMOVE PEDESTRIAN SIGNAL
- F - REMOVE TRAFFIC SIGNAL POST OR POLE
- G - REMOVE TRAFFIC SIGNAL MAST ARM
- H - REMOVE TRAFFIC SIGNAL CONTROLLER
- J - ABANDON CONDUIT
- - CABLE TO BE REMOVED



SIGNAL AND CABLE REMOVAL PLAN  
NOT TO SCALE

DATE		REVISION	
SUPERSEDES DRAWING NO.: 14737 DATED: 3-28-07			
TRAFFIC CONTROL SIGNALS HALSTED ST AND HARRISON ST			
CITY OF CHICAGO DEPARTMENT OF TRANSPORTATION DIVISION OF ELECTRICAL OPERATIONS			
DRAFTSMAN:	CHIEF DRAFTSMAN:	ENGINEER:	
		G. GEDEMER	
SUPERVISING ENGINEER:	ELEC. DESIGN ENGR.	DWG. NO.	
ENGINEER OF ELECTRICITY:		14737	
GEN'L SUPT. OF ELECTRICITY:			
DEPUTY COMMISSIONER:			
SIZE:	SCALE: AS NOTED	DATE:	09/15/13

FILE PATH = c:\pwworking\escom00\ggedemer\2014\436\160\26-sht-Ts-03.dgn



D160W26-sht-Ts-03.dgn  
USER NAME = ggedemer  
PLOT SCALE = 20.0000' / in.  
PLOT DATE = 9/11/2013

DESIGNED - GG  
DRAWN - GG  
CHECKED - JW  
DATE - 09/15/13

REVISED -  
REVISED -  
REVISED -  
REVISED -

STATE OF ILLINOIS  
DEPARTMENT OF TRANSPORTATION

TRAFFIC CONTROL SIGNALS  
HALSTED ST AND HARRISON ST

SCALE: AS NOTED SHEET OF SHEETS STA. TO STA.

F.A.I. RTE.	SECTION	COUNTY	TOTAL SHEETS	SHEET NO.
90/94/290	2013-008R	COOK	559	210
CONTRACT NO. 60W26				
ILLINOIS FED. AID PROJECT				