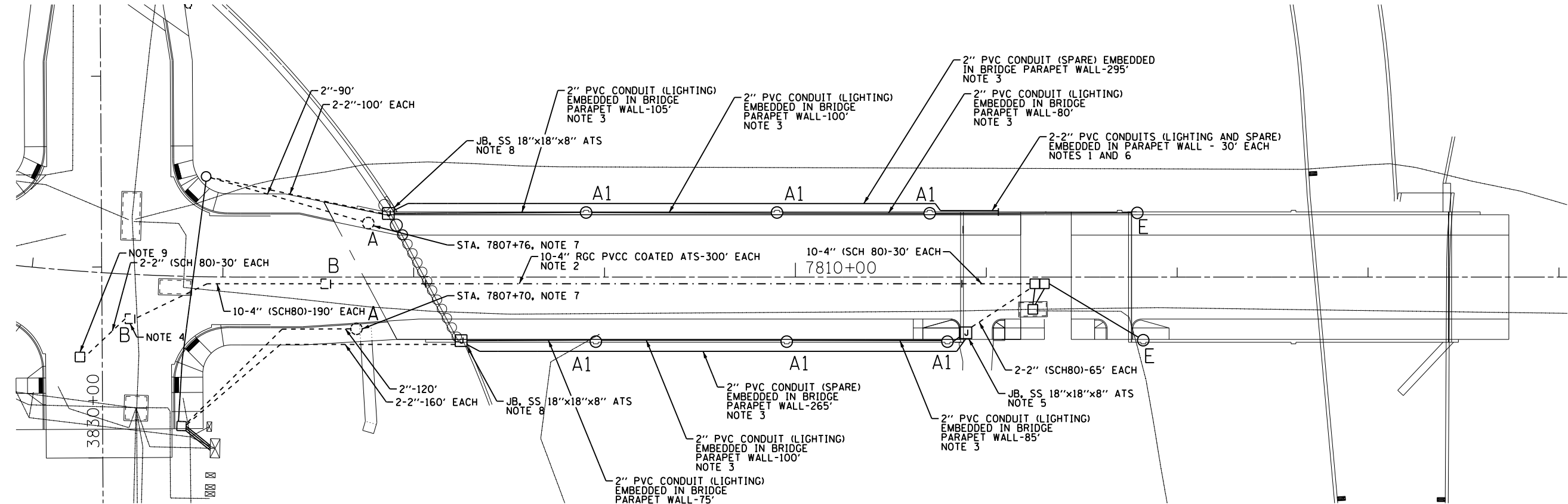


c:\pwworking\aecom\00\myer\sc\d0207895\DIGOW26-sht-Light-I.dgn
 9/12/2013 6:02:59 AM



| | |
|------|--|
| "A" | PROVIDE 24"x7", 1-1/4" A.R., 15" B.C. FOUNDATION FOR LIGHT POLE, PER DWG. NOS. 818 AND 837. |
| "A1" | LIGHT POLE FOUNDATION IS INTEGRAL TO THE BRIDGE STRUCTURE PARAPET WALL. SEE STRUCTURAL PLANS FOR DETAILS AND FINAL LOCATION OF FOUNDATION. |
| "B" | PROVIDE 3'x4'x4' CONCRETE MANHOLE PER DWG. NO. 730 WITH 24" FRAME AND COVER. |
| "C" | DRILL EXISTING MANHOLE/HANDHOLE. |
| "E" | EXISTING TO REMAIN. |

NOTES:

- INTERCEPT EXISTING LIGHTING CONDUIT EMBEDDED IN PARAPET WALL AND CONNECT TO NEW LIGHTING CONDUIT.
- PROVIDE TEN 4-INCH RIGID GALVANIZED STEEL PVC COATED CONDUITS ATTACHED TO STRUCTURE. THE CONDUITS SHALL BE MOUNTED UNDER THE BRIDGE DECK. SEE STRUCTURAL PLANS FOR LOCATION OF CONDUITS.
- PROVIDE TWO 2-INCH SCHEDULE 40 PVC CONDUITS IN BOTH BRIDGE PARAPET WALLS; ONE FOR THE LIGHTING CIRCUITS AND ONE SPARE. SEE STRUCTURAL PLANS FOR LOCATION OF CONDUITS.
- INTERCEPT EXISTING CONDUITS AND CONNECT TO NEW CONDUITS ROUTED TO PROPOSED MANHOLE.
- SEE EMBEDDED BRIDGE CONDUIT DETAIL-A ON DRAWING NO. E-13 FOR CONDUIT EXITING PARAPET WALL INSTALLATION DETAILS.
- PROVIDE A CAPPED STUB OUT WITH COUPLING AT THE END OF THE SPARE CONDUIT RUN EMBEDDED IN THE NEW PARAPET WALL FOR CONNECTION AND CONTINUATION OF THE CONDUIT RUN IN A FUTURE CONTRACT.
- INSTALL LIGHT POLE FOUNDATION IN THE SIDEWALK 3 FEET FROM FACE OF CURB TO CENTER OF FOUNDATION.
- SEE EMBEDDED BRIDGE CONDUIT DETAIL-B ON DRAWING NO. E-13 FOR CONDUIT EXITING PARAPET WALL INSTALLATION DETAILS.
- PROVIDE NEW CONDUITS (EMPTY) FROM AN EXISTING AT&T MANHOLE TO THE NEW CITY MANHOLE.

FOR LIGHTING CABLE AND EQUIPMENT INSTALLATION PLANS SEE DRAWING NO. E-11.
 FOR LIGHTING REMOVAL PLANS SEE DRAWING NO. E-12.

| | |
|---|-------------------------------|
| | |
| DATE | REVISION |
| CITY OF CHICAGO | |
| DEPARTMENT OF TRANSPORTATION DIVISION OF ENGINEERING | |
| CONSULTANT: AECOM | |
| WORK ORDER NO. _____ | DATE _____ |
| COST ALLOCATION ACCOUNT _____ | |
| APPROPRIATION ACCOUNT _____ | MATERIAL _____ LABOR _____ |
| HARRISON STREET LIGHTING CONDUIT AND FOUNDATION PLAN | |
| CITY OF CHICAGO DEPT. OF TRANSPORTATION DIVISION OF ELECTRICAL OPERATIONS | |
| DRAFTSMAN: CAM | CHIEF DRAFTSMAN: WDS |
| SUPERVISING ENGINEER: WDS | ENGINEER: WDS |
| ENGINEER OF ELECTRICITY: | E-10 |
| GEN'L SUPT. OF ELECTRICITY: | |
| DEPUTY COMMISSIONER: | |
| SIZE: 22" 34" | SCALE: 1" = 30' |
| DATE: 09/15/13 | DATE: 9/15/13 |
| C.D.O.T. PROJECT NO.: | DWG. NO.: 10 OF 22 |