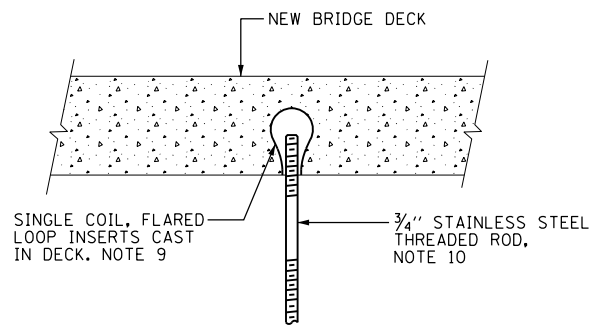
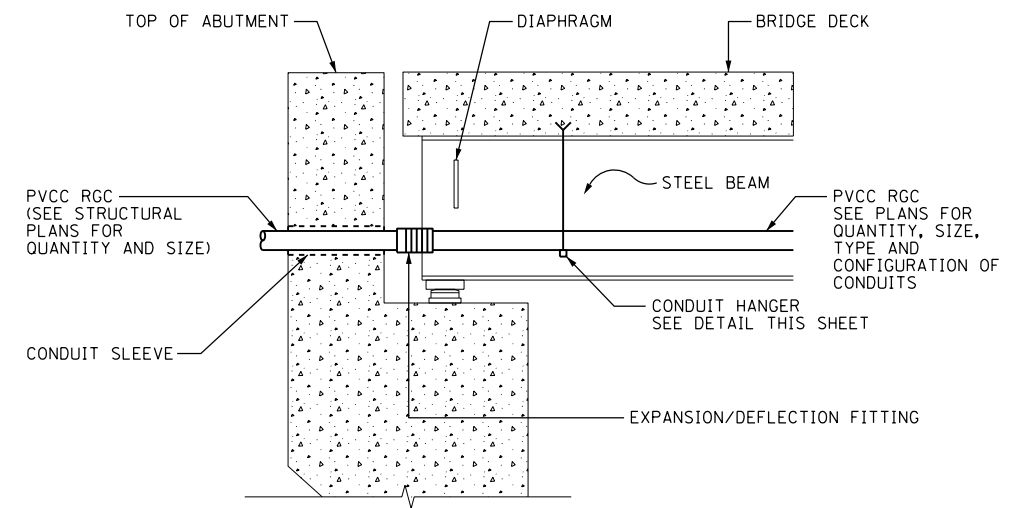


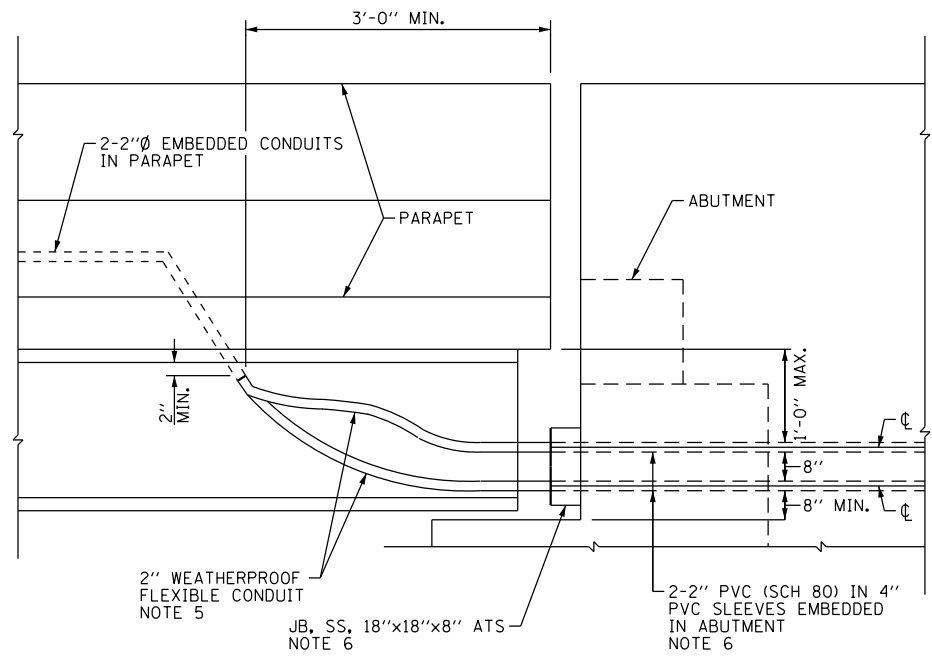
TYPICAL CONDUIT SUPPORT ATTACHED TO BRIDGE DECK DETAIL
SCALE: NOT TO SCALE
NOTE 11



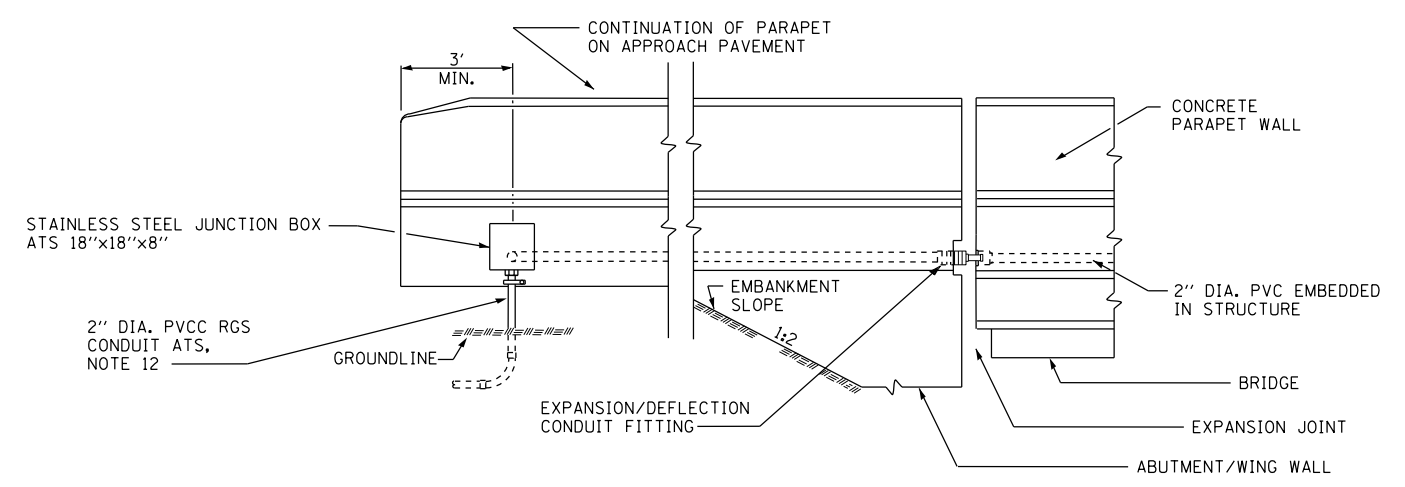
BRIDGE DECK THREADED ROD INSTALLATION ANCHOR DETAILS
SCALE: NOT TO SCALE



TYPICAL CONDUIT INSTALLATION THROUGH ABUTMENT WALL
SCALE: NOT TO SCALE



EMBEDDED BRIDGE CONDUIT DETAIL-A
SCALE: NOT TO SCALE



EMBEDDED BRIDGE CONDUIT DETAIL-B
SCALE: NOT TO SCALE

NOTES:

1. SEE DRAWING E-01 FOR IDOT ELECTRICAL SYMBOLS.
2. 2" PVCC CONDUITS SHALL HAVE A MINIMUM BENDING RADIUS OF 10".
3. SEE STRUCTURAL PLANS FOR LOCATION OF EMBEDDED CONDUITS.
4. JUNCTION BOXES SHALL HAVE A 1 1/2" WIRE MESH DRAIN IN THE BOTTOM.
5. WEATHERPROOF FLEXIBLE CONDUIT WILL NOT BE PAID FOR SEPARATELY, BUT SHALL BE CONSIDERED AS INCLUDED IN THE PRICE FOR "CONDUIT EMBEDDED IN STRUCTURE" PAY ITEM. COST OF 4" SLEEVES IS INCLUDED WITH CONCRETE STRUCTURES.
6. COORDINATE THE LOCATION OF THE JUNCTION BOX AND CONDUITS ROUTED THROUGH THE ABUTMENT WITH THE LOCATION OF THE CONDUIT SLEEVE OPENINGS SHOWN ON THE STRUCTURAL PLANS.
7. SEE PLAN DRAWINGS FOR THE PROPOSED CONDUIT ROUTING.
8. ALL MOUNTING HARDWARE FOR CONDUIT SUPPORTS AND PVCC RGC MUST BE PVC COATED.
9. THE CONTRACTOR MUST USE APPROVED SINGLE COIL FLARED LOOP INSERTS WHEN PENDANT MOUNTING THREADED RODS TO A NEW BRIDGE DECK. THE FLARED LOOP INSERTS MUST BE CAST INTO THE CONCRETE DECK. THE CONTRACTOR IS RESPONSIBLE FOR LOCATING AND COORDINATING THE INSERT LOCATIONS WITH THE BRIDGE DECK CONTRACTOR.
10. THE CONTRACTOR MUST COORDINATE THREADED ROD END SIZES WITH THE C-CHANNEL AND FLARED LOOP INSERT MANUFACTURERS.
11. THE CONDUIT SUPPORT SYSTEM ATTACHED TO THE BRIDGE DECK, INCLUDING THE INSERTS, WILL NOT BE PAID FOR SEPARATELY, BUT SHALL BE CONSIDERED AS INCLUDED IN THE PRICE FOR THE "CONDUIT ATTACHED TO STRUCTURE" PAY ITEM.

FILE PATH = p:\388035\pmt\secomon\me\local\p\AECOM\00\Documents\01_Americas\Transportation\62629938_Circle\Phase_1\000_CAD\016_Electrical\Sheets\60W26_Contract\160W26-sht-Light-13



D160W26-sht-Light-13	DESIGNED - WDS	REVISED -
USER NAME = myersc	DRAWN - CAM	REVISED -
PLOT SCALE = 1:8000 / in.	CHECKED - WDS	REVISED -
PLOT DATE = 8/15/2013	DATE - 8/20/13	REVISED -

**STATE OF ILLINOIS
DEPARTMENT OF TRANSPORTATION**

MISCELLANEOUS ELECTRICAL DETAILS

SCALE: N.T.S. SHEET 13 OF 22 SHEETS STA. TO STA.

F.A.I. RTE.	SECTION	COUNTY	TOTAL SHEETS	SHEET NO.
90/94/290	2013-008R	COOK	559	236
CONTRACT NO. 60W26				
ILLINOIS FED. AID PROJECT				