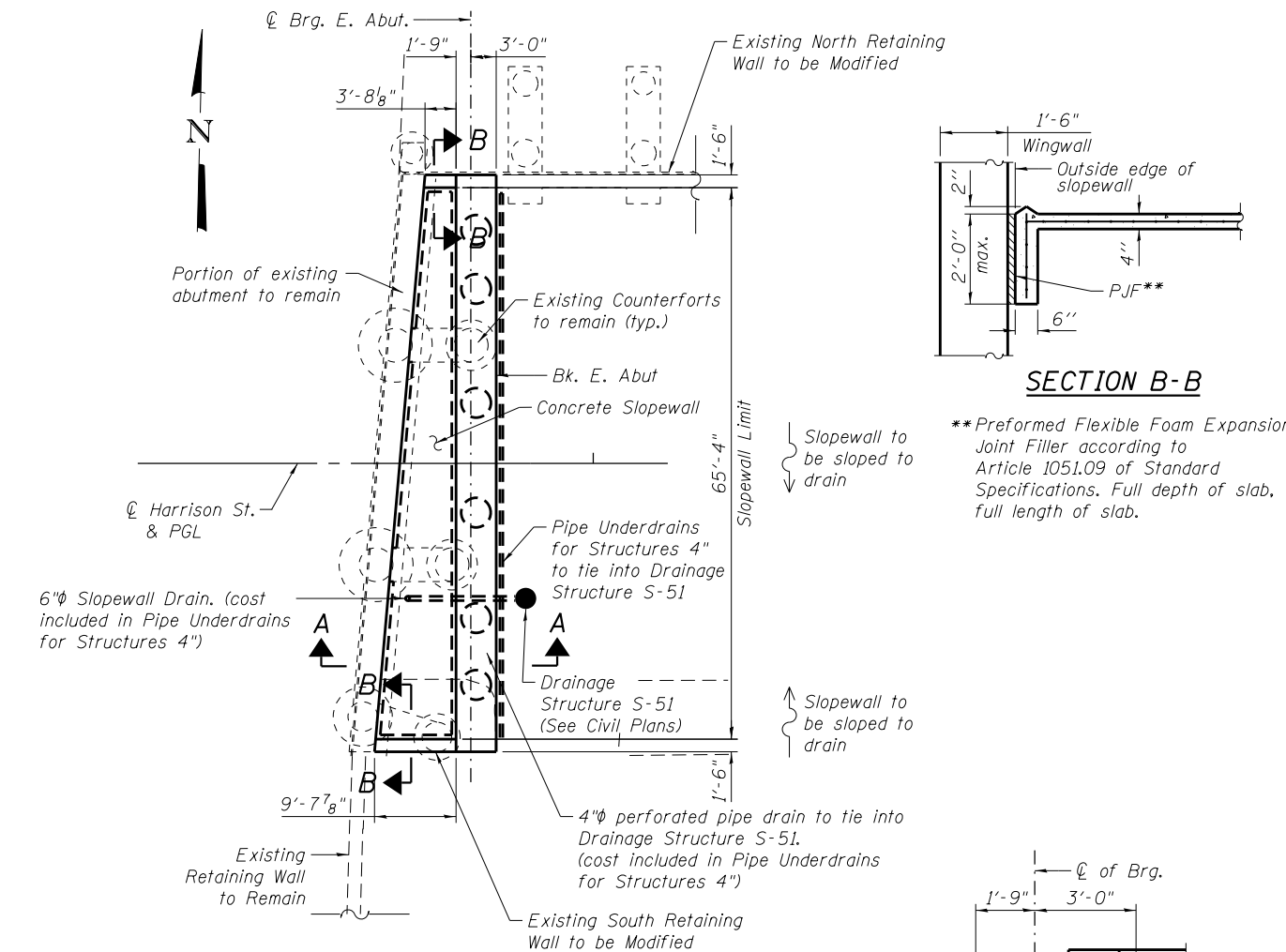
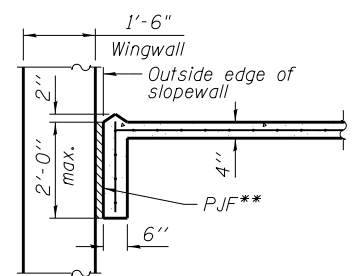


TOTAL BILL OF MATERIALS

DESCRIPTION	UNIT	S.N. 016-1713		TOTAL
		SUPER	SUB	
GRANULAR BACKFILL FOR STRUCTURES	CU. YD.		381	381
REMOVAL OF EXISTING STRUCTURES, NO. 1	EACH	1		1
PROTECTIVE SHIELD	SQ. YD.	1431		1431
STRUCTURE EXCAVATION	CU. YD.		1529	1529
CONCRETE STRUCTURES	CU. YD.		426	426
CONCRETE SUPERSTRUCTURE	CU. YD.	1076		1076
BRIDGE DECK GROOVING	SQ. YD.	1643		1643
FORM LINER TEXTURED SURFACE	SQ. FT.		1244	1244
PROTECTIVE COAT	SQ. YD.	3079		3079
FURNISHING AND ERECTING STRUCTURAL STEEL	L. SUM	0.51		0.51
STUD SHEAR CONNECTORS	EACH	8622		8622
REINFORCEMENT BARS	POUND		614360	614360
REINFORCEMENT BARS, EPOXY COATED	POUND	194700	346430	541130
BAR SPLICERS	EACH	144		144
MECHANICAL SPLICERS	EACH		1368	1368
SLOPE WALL 4 INCH	SQ. YD.		50	50
NAME PLATES	EACH	1		1
PERMANENT CASING	FOOT		460	460
DRILLED SHAFT IN SOIL	CU. YD.		1403	1403
DRILLED SHAFT IN ROCK	CU. YD.		12	12
PREFORMED JOINT STRIP SEAL	FOOT	143		143
ELASTOMERIC BEARING ASSEMBLY, TYPE I	EACH	24		24
ANCHOR BOLTS, 1 1/4"	EACH	48		48
ANCHOR BOLTS, 1 1/2"	EACH	24		24
CONCRETE SEALER	SQ. FT.		7472	7472
EPOXY CRACK INJECTION	FOOT		14	14
GEOCOMPOSITE WALL DRAIN	SQ. YD.		62	62
CHAIN LINK FENCE, 4'	FOOT		99	99
STRUCTURAL REPAIR OF CONCRETE (Depth equal or less than 5")	SQ. FT.		154	154
PIPE UNDERDRAINS FOR STRUCTURES 4"	FOOT		182	182
CLASS SI CONCRETE MISCELLANEOUS	CU. YD.		41	41
DECORATIVE RAILING (PARAPET MOUNTED)	FOOT	620		620
SOIL RETENTION SYSTEM	SQ. FT.		2297	2297
TEMPORARY SOIL RETENTION SYSTEM	SQ. FT.		2525	2525
TEMPORARY SOIL RETENTION SYSTEM (SPECIAL)	SQ. FT.		303	303
CROSSHOLE SONIC LOGGING	EACH		3	3

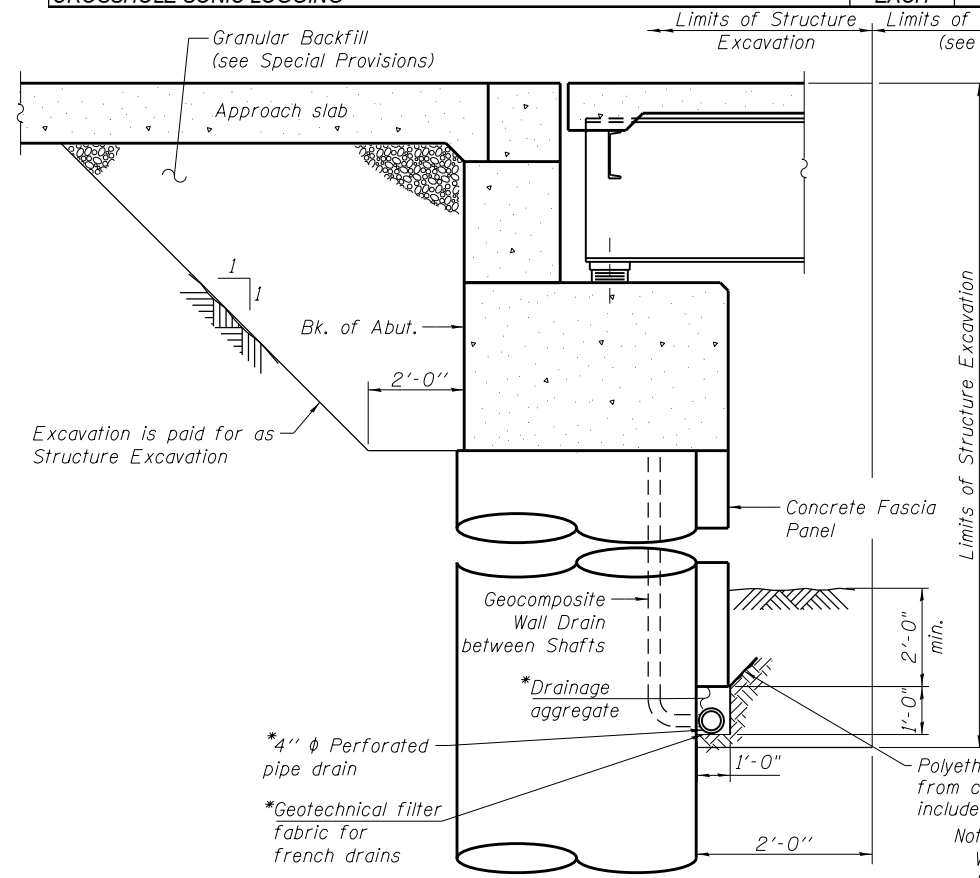


EAST ABUTMENT PLAN



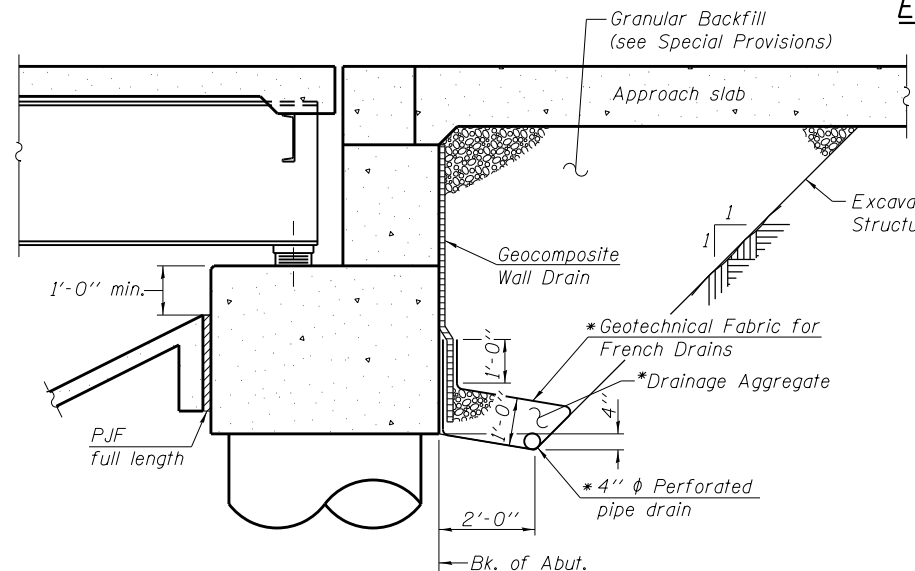
SECTION B-B

**Preformed Flexible Foam Expansion Joint Filler according to Article 1051.09 of Standard Specifications. Full depth of slab, full length of slab.



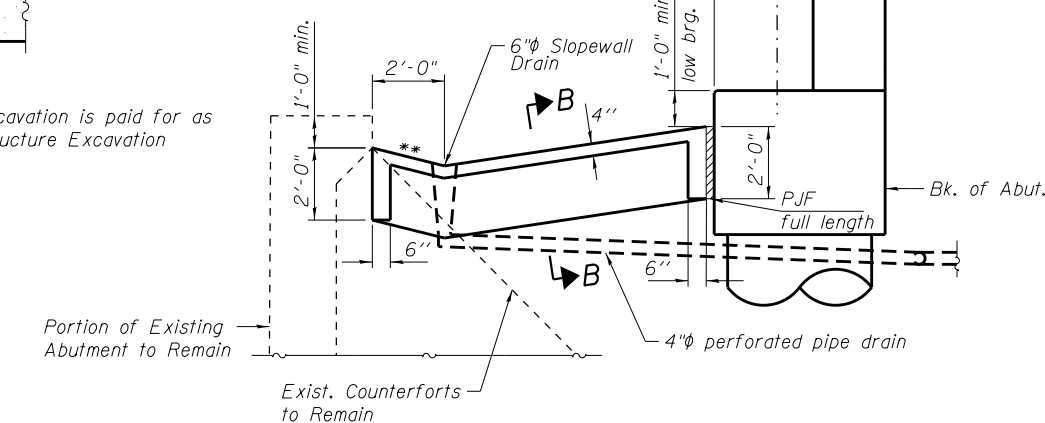
SECTION THRU WEST ABUTMENT

*Included in the cost of Pipe Underdrains for Structures 4".



SECTION THRU EAST ABUTMENT

Note:
West abutment drainage system components shall extend to the soil retention system to the south and tie into the retaining wall (SN 016-1802) underdrain to the north.
East abutment drainage system components shall extend the full width of the abutment and tie to drainage structure S-51.



SECTION A-A THRU CONCRETE SLOPEWALL EAST ABUTMENT

NOTES:

- Slope wall shall be reinforced with welded wire fabric, 6 in. x 6 in. - W4.0 x W4.0, weighing 58 lbs. per 100 sq. ft. Cost included in Slope Wall 4 Inch pay item.
 - Work this sheet with sheets S1-38 and S1-39.
- **1:4 (V:H)

0161713-60W26-S03-GenNote