

NORTH EDGE OF PAVEMENT

Location	Station	Offset	Theoretical Grade Elevations
W. End of Apr. Slab	7807+52.92	-39.375'	594.61
A	7807+64.17	-37.021'	595.02
B	7807+74.50	-36.385'	595.50
E. End of Apr. Slab	7807+85.69	-34.167'	595.98

NORTH CURB LINE

Location	Station	Offset	Theoretical Grade Elevations
W. End of Apr. Slab	7807+58.47	-28.927'	594.57
A	7807+69.72	-26.573'	595.01
B	7807+80.97	-24.219'	595.49
E. End of Apr. Slab	7807+92.15	-22.000'	595.96

CL HARRISON ST. & P.G.L.

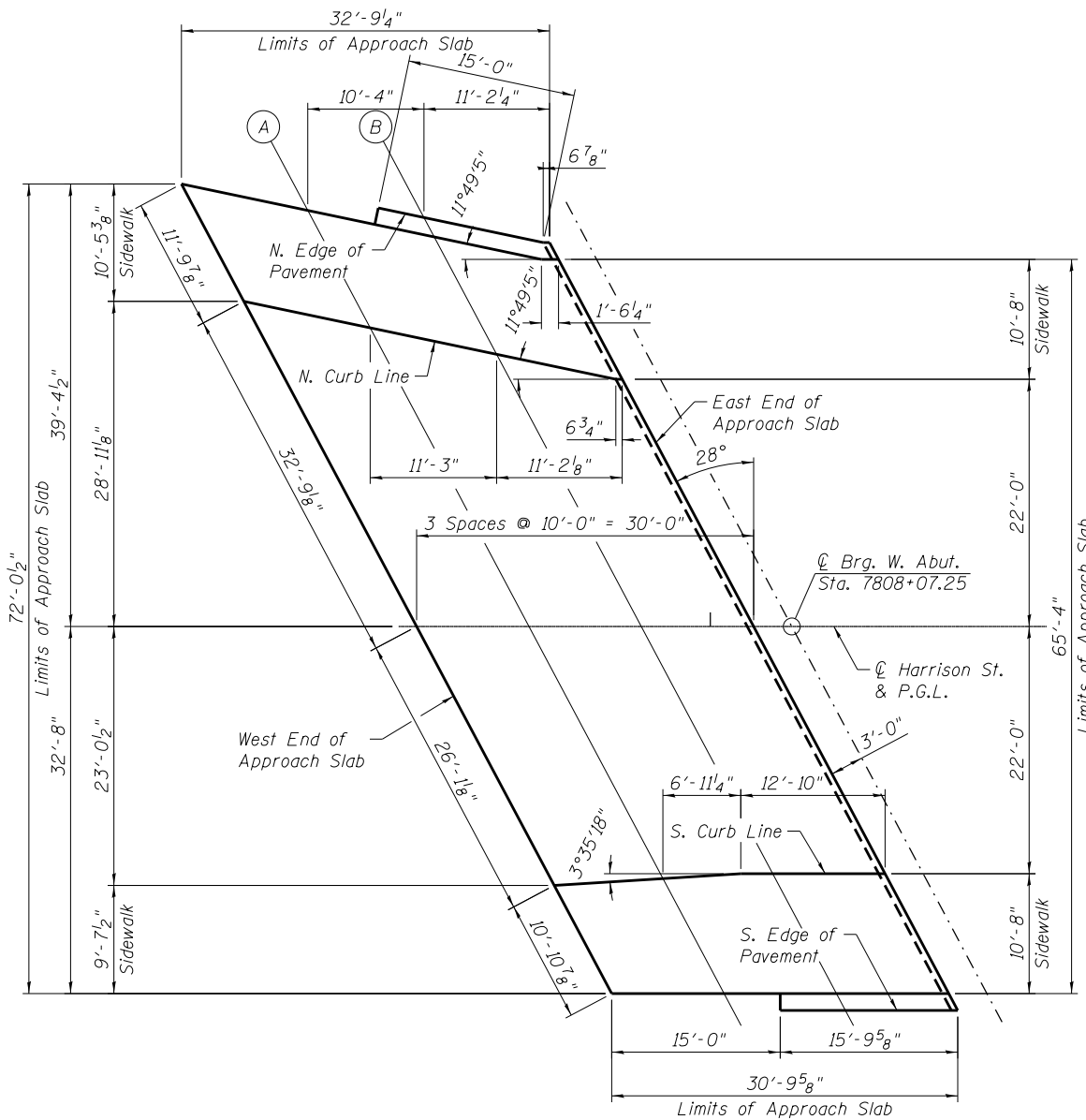
Location	Station	Offset	Theoretical Grade Elevations
W. End of Apr. Slab	7807+73.85	0.000'	595.59
A	7807+83.85	0.000'	595.98
B	7807+93.85	0.000'	596.37
E. End of Apr. Slab	7808+03.85	0.000'	596.76

SOUTH CURB LINE

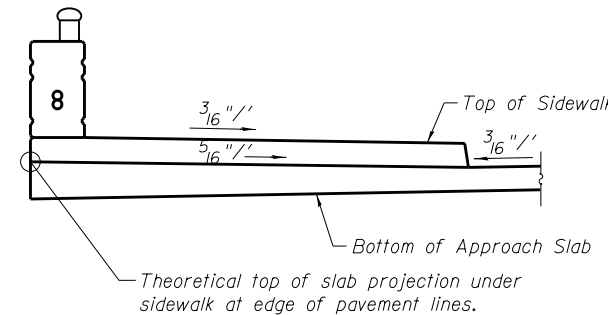
Location	Station	Offset	Theoretical Grade Elevations
W. End of Apr. Slab	7807+86.10	23.042'	595.71
A	7807+95.78	22.438'	596.10
B	7808+05.55	22.000'	596.48
E. End of Apr. Slab	7808+15.55	22.000'	596.87

SOUTH EDGE OF PAVEMENT

Location	Station	Offset	Theoretical Grade Elevations
W. End of Apr. Slab	7807+91.22	32.667'	596.17
A	7808+01.22	32.667'	596.59
B	7808+12.02	34.167'	597.05
E. End of Apr. Slab	7808+22.02	34.167'	597.44



PLAN



PROJECTION UNDER SIDEWALK

0161713-60W26-S14-TopSlab



USER NAME = dunkerleyb	DESIGNED - EJO	REVISED
PLOT SCALE = N.T.S.	CHECKED - ATB	REVISED
PLOT DATE = 9/15/2013	DRAWN - BRD	REVISED
	CHECKED - EJO	REVISED

**STATE OF ILLINOIS
DEPARTMENT OF TRANSPORTATION**

**TOP OF WEST APPROACH SLAB ELEVATION
STRUCTURE NO. 016-1713**

SHEET NO. S1-14 OF S1-48 SHEETS

F.A.I. RTE.	SECTION	COUNTY	TOTAL SHEETS	SHEET NO.
90/94/290	2013-008R	COOK	559	264
CONTRACT NO. 60W26				
ILLINOIS FED. AID PROJECT				