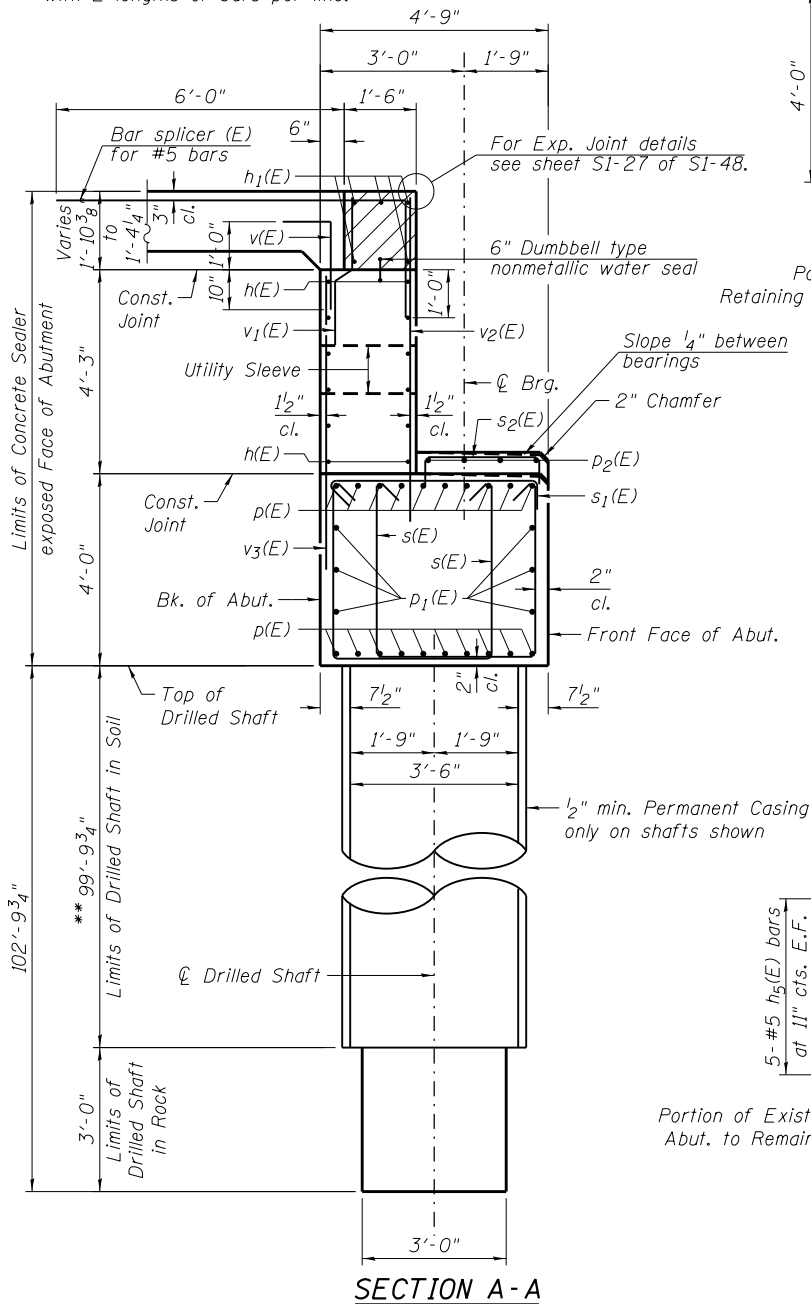
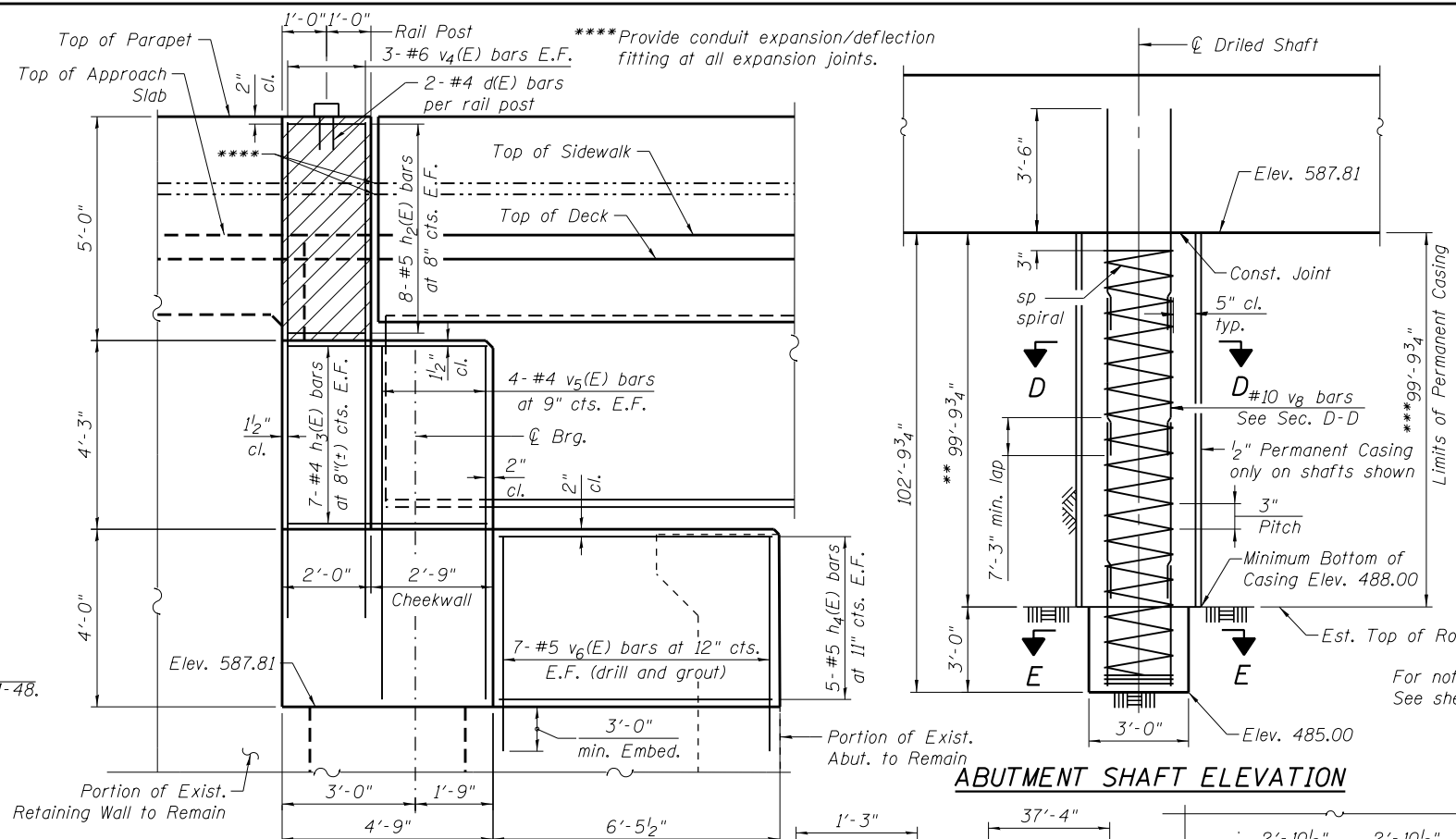


NOTES:

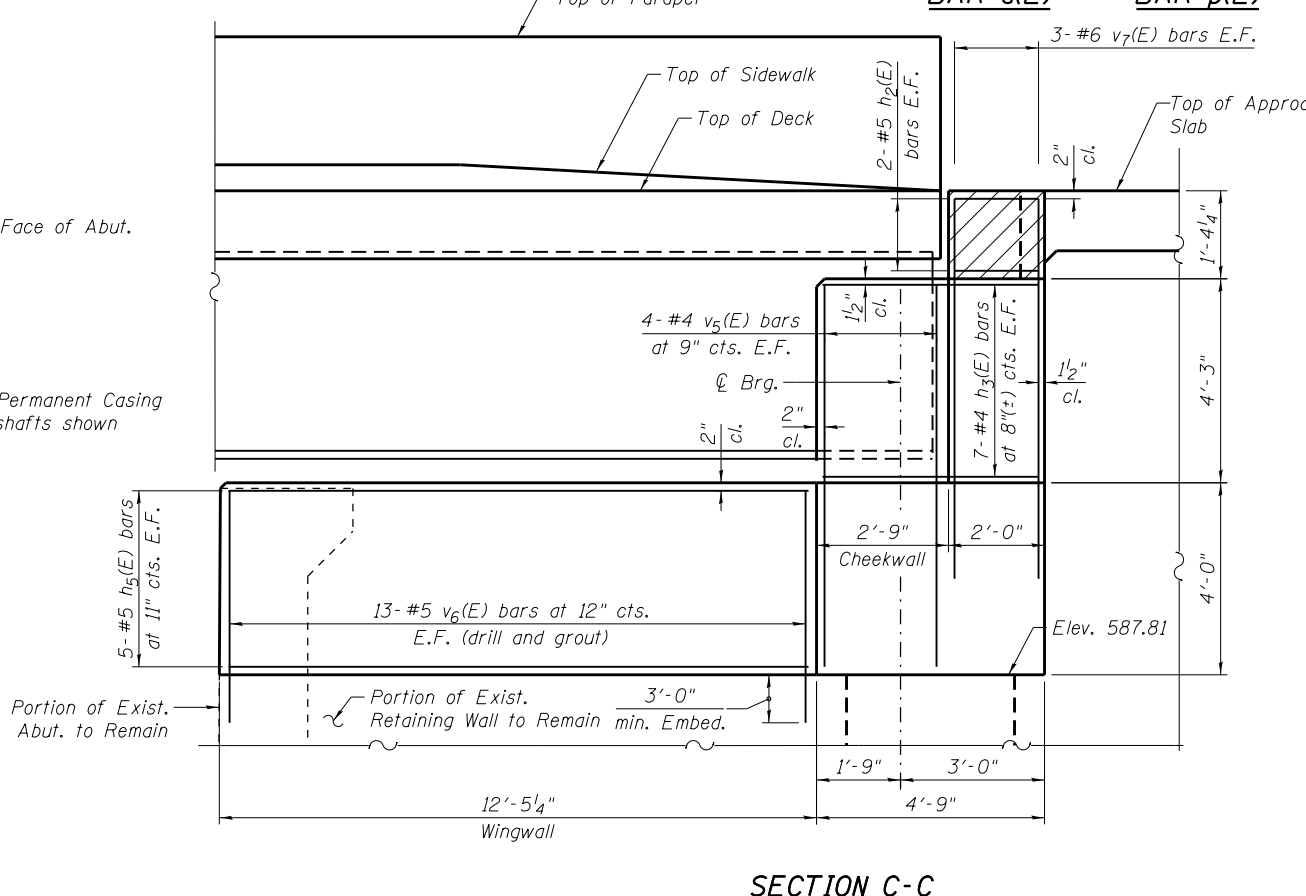
- Hatched area to be poured after superstructure false work has been removed. Quantity of concrete included with Concrete Superstructure.
- Concrete Sealer shall be applied to abutment backwall, bearing seats and exposed faces of abutment cap, cheekwalls and wingwalls.
- When splicing spiral reinforcement is necessary, the spiral shall be provided with 1/2 extra turns at the ends to be spliced. These additional turns shall either be welded together according to AWS D1.4 or shall both terminate with a 135° standard hook.
- E.F. = Each Face
- Drilling and grouting of v6(E) bars are included with Reinforcement Bars, Epoxy Coated pay item.
- For Pipe Underdrain detail see sheet S1-03.
- Bars noted thus, 3x2-#5 indicates 3 lines of bars with 2 lengths of bars per line.



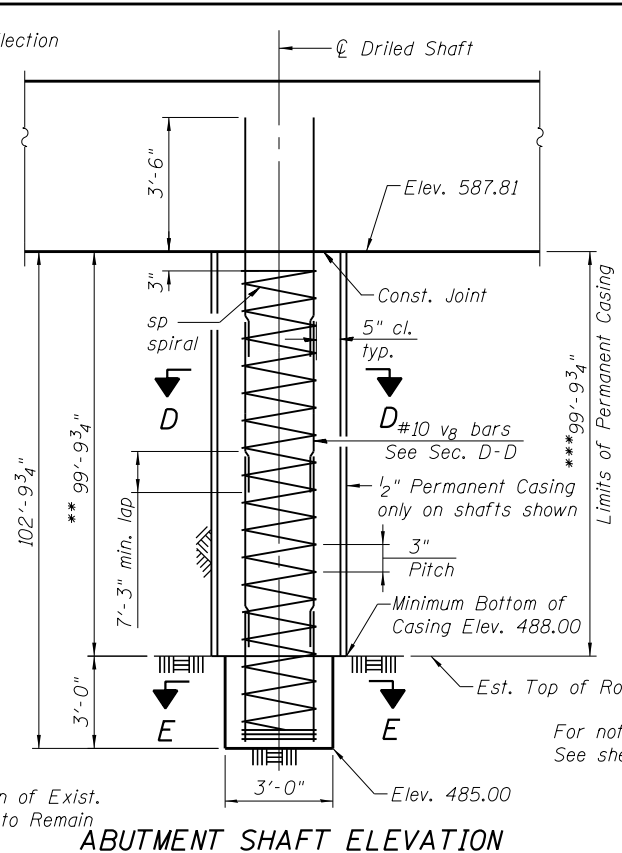
SECTION A-A



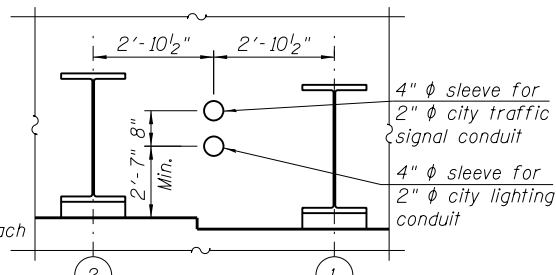
SECTION B-B



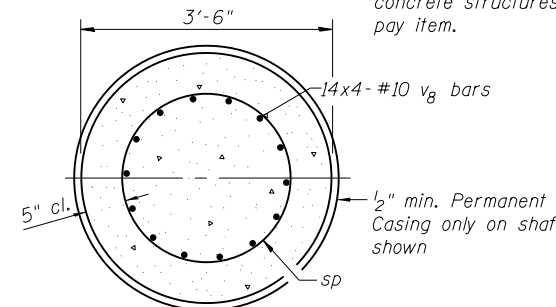
SECTION C-C



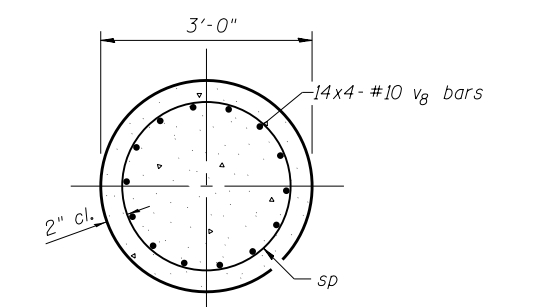
ABUTMENT SHAFT ELEVATION



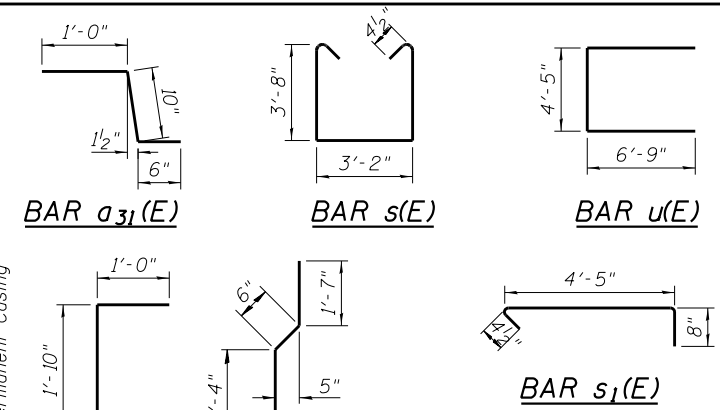
DETAIL 5



SECTION D-D



SECTION E-E



EAST ABUTMENT BILL OF MATERIAL

Bar	No.	Size	Length	Shape
a30(E)	2	#5	10'-4"	
a31(E)	2	#5	2'-4"	
b30(E)	11	#5	1'-2"	
d(E)	2	#4	2'-9"	
h(E)	36	#5	24'-10"	
h1(E)	10	#6	35'-11"	
h2(E)	20	#5	1'-8"	
h3(E)	28	#4	4'-5"	
h4(E)	10	#5	6'-1"	
h5(E)	10	#5	12'-1"	
h6(E)	24	#5	9'-6"	
h7(E)	8	#5	5'-0"	
p(E)	40	#8	38'-8"	
p1(E)	12	#8	37'-5"	
p2(E)	4	#5	22'-8"	
s(E)	178	#4	11'-3"	
s1(E)	89	#4	5'-5 1/2"	
s2(E)	23	#4	3'-9"	
sp	6	#6	102'-6"	
u(E)	10	#8	17'-11"	
v(E)	66	#5	2'-10"	
v1(E)	66	#5	3'-5"	
v2(E)	66	#6	7'-1"	
v3(E)	66	#6	6'-3"	
v4(E)	6	#6	11'-2"	
v5(E)	16	#4	7'-11"	
v6(E)	40	#5	7'-0"	
v7(E)	6	#6	7'-6"	
v8	336	#10	32'-1"	
v9(E)	24	#5	3'-0"	
Granular Backfill for Structures		Cu. Yd.	145	
Structure Excavation		Cu. Yd.	492	
Concrete Structures		Cu. Yd.	78	
Concrete Superstructure		Cu. Yd.	6	
Reinforcement Bars		Pound	77290	
Reinforcement Bars, Epoxy Coated		Pound	12100	
Permanent Casing		Foot	200	
Drilled Shaft In Soil		Cu. Yd.	214	
Drilled Shaft In Rock		Cu. Yd.	5	
Concrete Sealer		Sq. Ft.	817	
Geocomposite Wall Drain		Sq. Yd.	62	
Pipe Underdrain for Structures 4"		Foot	77	
Crosshole Sonic Logging		Each	1	

For details of Bar Splicers, see sheet S1-45.
* Length is height of spiral.



USER NAME = dunkerleyb
DESIGNED - EJO
CHECKED - ATB
PLOT SCALE = N.T.S.
DRAWN - BRD
PLOT DATE = 9/15/2013
CHECKED - EJO

DESIGNED - EJO
CHECKED - ATB
DRAWN - BRD
CHECKED - EJO

REVISED
REVISED
REVISED
REVISED

**STATE OF ILLINOIS
DEPARTMENT OF TRANSPORTATION**

**EAST ABUTMENT SECTION AND DETAILS
STRUCTURE NO. 016-1713**

SHEET NO. S1-39 OF S1-48 SHEETS

F.A.I. RTE.	SECTION	COUNTY	TOTAL SHEETS	SHEET NO.
90/94/290	2013-008R	COOK	559	289
CONTRACT NO.			60W26	

ILLINOIS FED. AID PROJECT

0161713-60W26-S39-Abutment