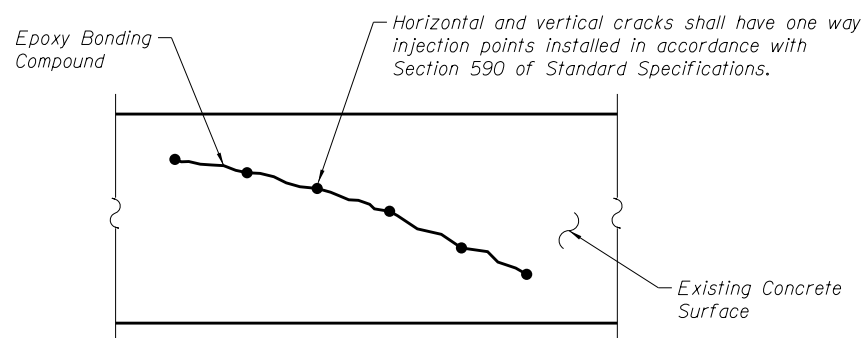
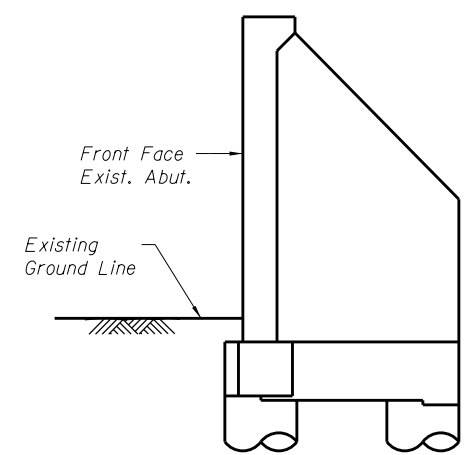


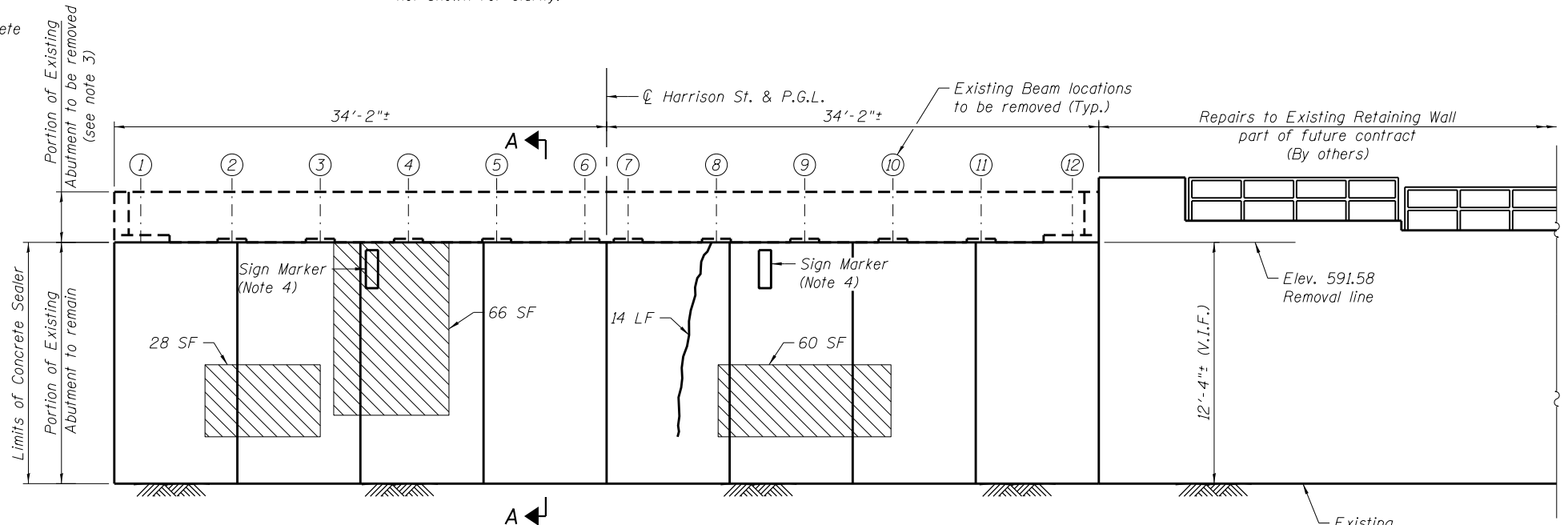
PLAN



EPOXY CRACK INJECTION



SECTION A-A



ELEVATION
(Looking East)

LEGEND

- Epoxy crack injection
- Area of structural repair of concrete (depth equal to or less than 5")

NOTES:

1. Deck and superstructure not shown for clarity.
2. Concrete sealer shall be applied to front face of existing abutment.
3. For removal details see sheets S1-04 thru S1-06.
4. Sign Markers attached to face of existing abutment shall be removed prior to repair work.

BILL OF MATERIAL

Item	Unit	Quantity
Structural Repair of Concrete (depth equal to or less than 5")	Sq. Ft.	154
Epoxy Crack Injection	Foot	14
Concrete Sealer	Sq. Ft.	843

0161713-60W26-S40-Abutment



USER NAME = dunkerleyb	DESIGNED - EJO	REVISION
	CHECKED - ATB	REVISION
PLOT SCALE = N.T.S.	DRAWN - BRD	REVISION
PLOT DATE = 9/15/2013	CHECKED - EJO	REVISION

STATE OF ILLINOIS
DEPARTMENT OF TRANSPORTATION

EAST ABUTMENT REPAIR DETAILS (1 OF 2)
STRUCTURE NO. 016-1713

SHEET NO. S1-40 OF S1-48 SHEETS

F.A.I. RTE.	SECTION	COUNTY	TOTAL SHEETS	SHEET NO.
90/94/290	2013-008R	COOK	559	290
CONTRACT NO.			60W26	
ILLINOIS FED. AID PROJECT				