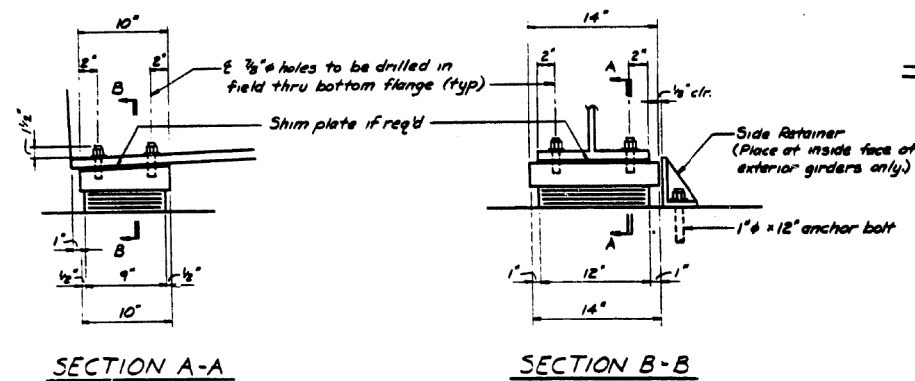


FOR INFORMATION ONLY

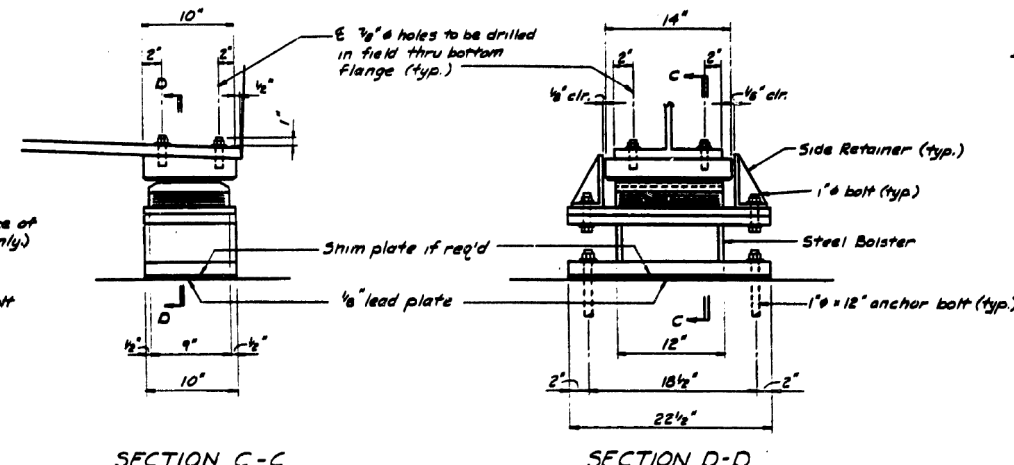
DATE	DESIGN	QUANTITY	NO.	BY
9/2/94	COOK	70	41	
FED. AID PROJ. NO. ILLINOIS				
* 008-080 R				

Notes: E Bearing remains the same. Existing anchor bolts to be burned off at the concrete surface. For new anchor bolt details, see sheet MD-1



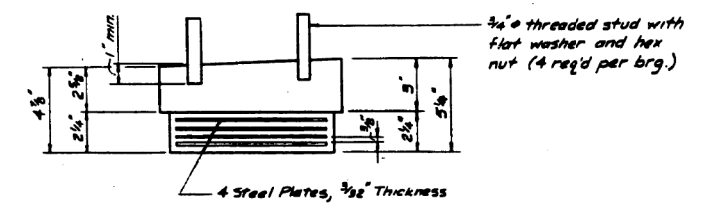
SECTION A-A SECTION B-B

TYPE I - ELASTOMERIC EXPANSION BEARING
(12 Required at Bent B)

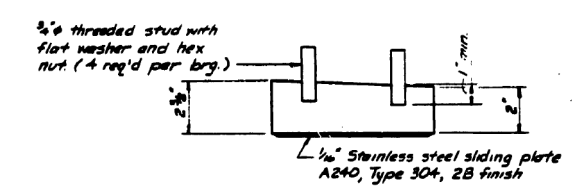


SECTION C-C SECTION D-D

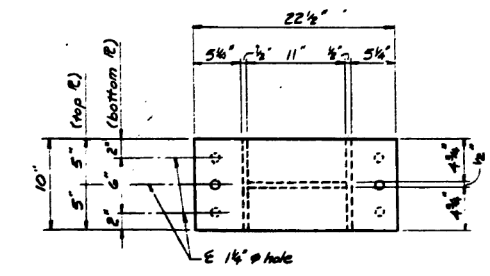
TYPE II - ELASTOMERIC EXPANSION BEARING
(12 Required at Bent E)



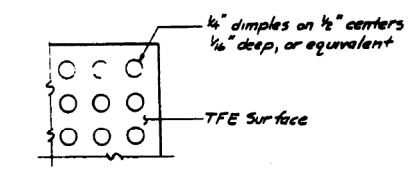
TYPE I - BEARING ASSEMBLY



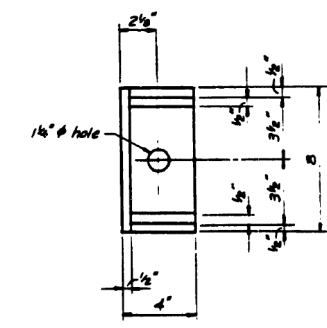
TYPE II - TOP BEARING ASSEMBLY



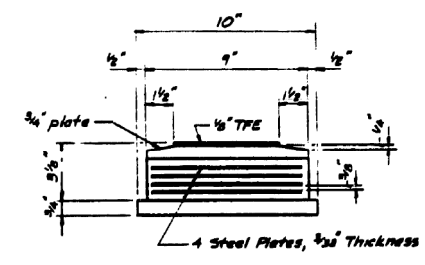
STEEL BOLSTER - PLAN



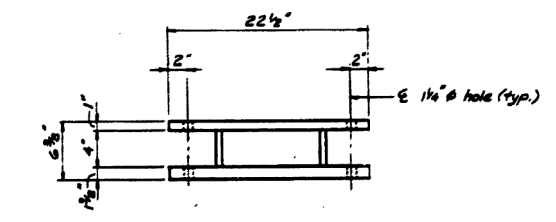
TFE - PLAN



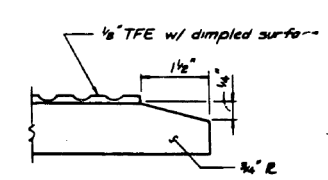
SIDE RETAINER - PLAN



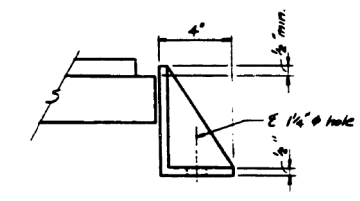
TYPE II - BOTTOM BEARING ASSEMBLY



STEEL BOLSTER - ELEVATION



TFE - ELEVATION



SIDE RETAINER - ELEVATION

SHEET HAR-4 OF 5

REVISIONS	
Name	Date

STATE OF ILLINOIS
DEPARTMENT OF TRANSPORTATION
F.A.I. ROUTE 90/94 (DAN RYAN EXPRESSWAY)
SECTION 008-080 R COOK COUNTY
ROADWAY GRADING AND PAVING
HARRISON ST. BRIDGE OVER S.S. DAN RYAN EXPY.
ELASTOMERIC BEARINGS

Scale: NONE
Date: AUG 14, 2007

Drawn By: RAS
Checked By: COS

ENVIRONMENTAL ENGINEERS INC.
Chicago, Illinois

FILE PATH = C:\Projects\15-0820 - Circle 60W26 As-Built\Final\0160W26-sht-AS-BUILT-06.dgn

D160W26-sht-AS-BUILT-06.dgn	DESIGNED -	REVISED -	STATE OF ILLINOIS DEPARTMENT OF TRANSPORTATION	EXISTING AS-BUILTS SN 016-1087	F.A.I. RTE.	SECTION	COUNTY	TOTAL SHEETS	SHEET NO.	
USER NAME = auyeungh	DRAWN -	REVISED -			90/94/290	2013-008R	COOK	559	304	
PLOT SCALE = 1.0000' / in.	CHECKED -	REVISED -			CONTRACT NO. 60W26					
PLOT DATE = 8/16/2013	DATE = 07/15/13	REVISED -			ILLINOIS FED. AID PROJECT					