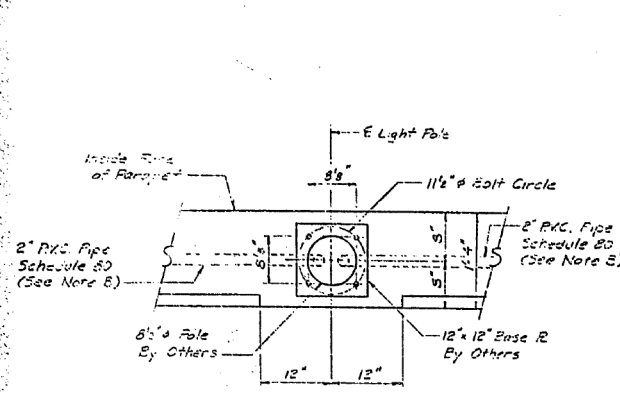
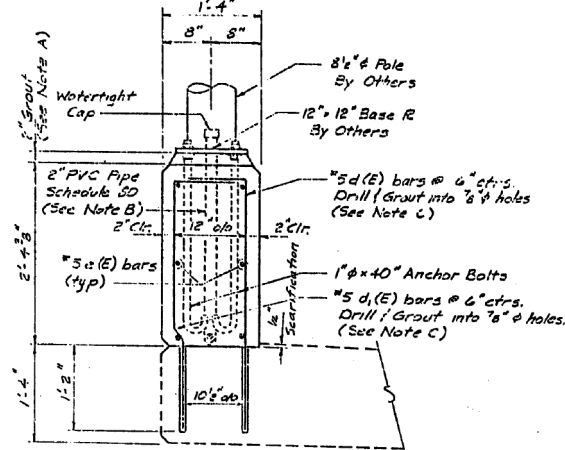


FOR INFORMATION ONLY

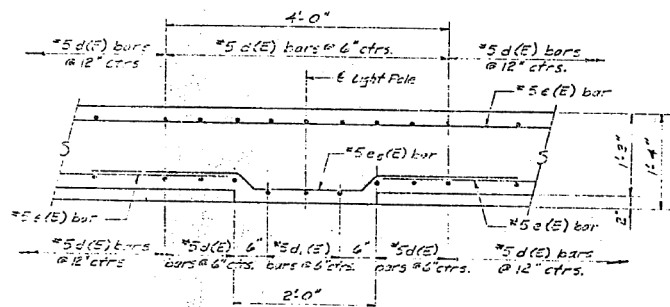


PLAN



SECTION

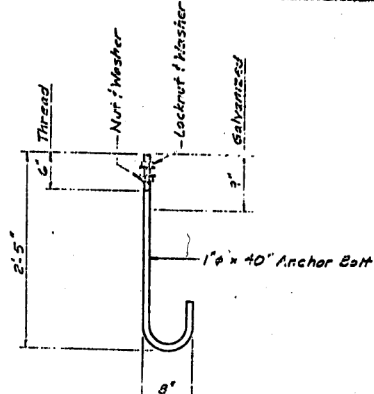
LIGHT POLE MOUNT ON CONCRETE PARAPET



PARAPET REINFORCEMENT AT LIGHT POLE MOUNT

STATION 3+01
 RESULT 198 EV
 STATE OF ILLINOIS
 HARRISON STREET SEC.
 F.A. PROJ.
 LOADING HS 20
 STR. NO. 016-1087

NAME PLATE
 (See Std. 2113)



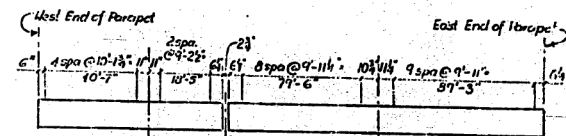
ANCHOR BOLT DETAIL

All nuts / washers to be galvanized.

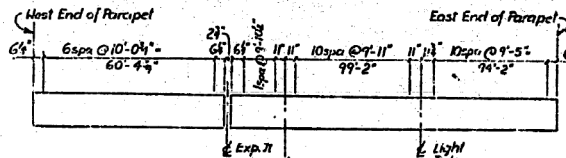
Note A: Grout mixture shall consist of 1 part sand, 1 part cement and 1 part chip (pea gravel). The grout shall contain water for 1 slump. Cast incidental to pole.

Note B: For pay item of PVC pipe in concrete parapet, see electrical drawings.

Note C: Use grout approved by the Department or epoxy grout in accordance with BCP-11 (See special provisions.) The method of grout application shall be approved by the Engineer.



SOUTH PARAPET



NORTH PARAPET

③ POST SPACING - HARRISON STREET BRIDGE
 (OVER S.B. DAN RYAN)

SHEET HAR-58 OF 5

REVISIONS	
Name	Date
② New Sheet	2-5-88
③ Revision	3-11-88

STATE OF ILLINOIS
 DEPARTMENT OF TRANSPORTATION
 F.A.I. ROUTE 90/94 (DAN RYAN EXPRESSWAY)
 SECTION 1985-080 R COOK COUNTY
 ROADWAY GRADING AND PAVING
 HARRISON ST BRIDGE OVER S.B. DAN RYAN EXPY.
 LIGHT POLE MOUNTING DETAILS
 AND PEDESTRIAN RAIL POST SPACING
 Scale: NONE
 Date: AUG 14, 1987
 Drawn By: EAS
 Checked By: CDS
 ENVIRONMENTAL ENGINEERS INC.
 Chicago, Illinois

FILE PATH = C:\Project\19-0820 - Circle 60W26 As-Built\Final\DI60W26-sht-AS-BUILT-09.dgn

DI60W26-sht-AS-BUILT-09.dgn
 USER NAME = ayeunguh
 PLOT SCALE = 1.0000' / in.
 PLOT DATE = 8/16/2013

DESIGNED -
 DRAWN -
 CHECKED -
 DATE - 07/15/13

REVISED -
 REVISED -
 REVISED -
 REVISED -

STATE OF ILLINOIS
 DEPARTMENT OF TRANSPORTATION

EXISTING AS-BUILTS SN 016-1087

SCALE: NTS SHEET AS-09 OF AS-62 SHEETS STA. TO STA.

F.A.I. RTE.	SECTION	COUNTY	TOTAL SHEETS	SHEET NO.
90/94/290	2013-008R	COOK	559	307
CONTRACT NO. 60W26				
ILLINOIS FED. AID PROJECT				