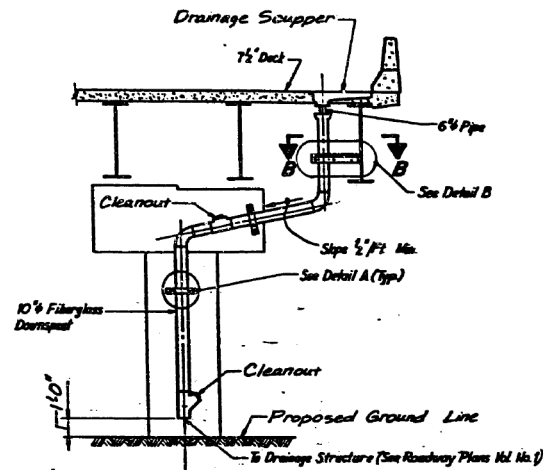


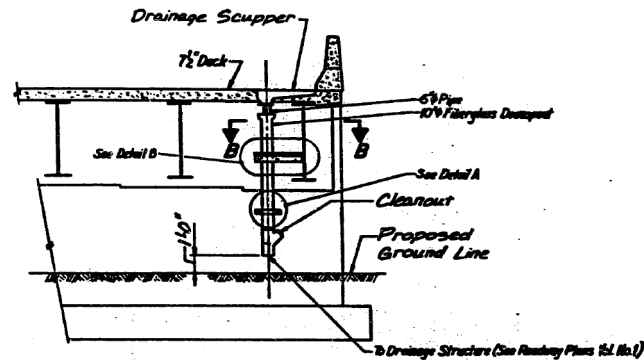
FOR INFORMATION ONLY

DATE	BY	CHECKED	DATE	BY
90/94	D	COOK	79	78A
FED. AID PROJ. NO.		ILLINOIS		FED. AID PROJ. NO.
SECTION 1908-008R				



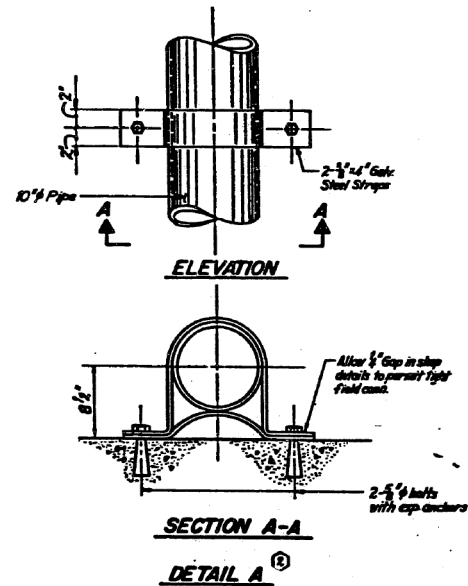
TYPICAL SECTION OF SCUPPERS[®]
AT PIER LOCATIONS

Taylor St. Exit Ramp Abutment No. 4
Taylor St. Entrance Ramp Abutment No. 3



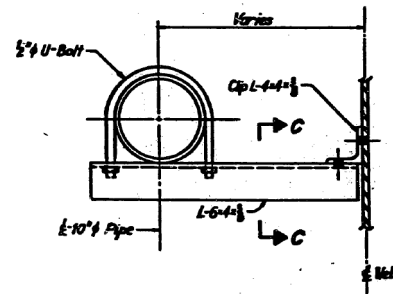
TYPICAL SECTION OF SCUPPERS[®]
AT ABUTMENT LOCATIONS

Taylor St. Exit Ramp Abutment No. 1
Taylor St. Entrance Ramp Abutment No. 5



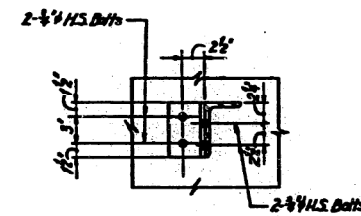
SECTION A-A

DETAIL A[®]



SECTION B-B

DETAIL B[®]



SECTION C-C[®]

NOTES:

- 1. For Scupper Details, see Shts. MD 4 and MD 5 in this volume.
- 2. For Scupper Locations, see Shts. Exit 3 (Taylor St. Exit Ramp) and Exit 4 (Taylor St. Entrance Ramp).

BILL OF MATERIAL

Item	Unit	Quantity		
		Taylor St. Exit	Taylor St. Entrance	Total
Downspout Drainage System	Lin. Ft.	34	33	67

SHEET MD7 OF 7

REVISIONS	
Name	Date
U.S. Engineer	11-23-87

STATE OF ILLINOIS
DEPARTMENT OF TRANSPORTATION
F.A.I. ROUTE 90/94 (DAN RYAN EXPRESSWAY)
SECTION 1908-008 R COOK COUNTY
ROADWAY GRADING AND PAVING
DECK DRAINAGE
TYPICAL DETAILS AND SECTIONS
Scale: NONE
Date: AUG. 14, 1987
Checked By: U.S.P.E.
DRAWN BY: J. E. W. T.
Checked By: U.S.P.E.

Δ New Sheet-Nov 23, 1987

FILE PATH = C:\Project\ase\19-0820 - Circle 60W26 As-Built\Final\0160W26-sht-AS-BUILT-17.dgn

D160W26-sht-AS-BUILT-17.dgn	DESIGNED -	REVISED -
USER NAME = ayejeungh	DRAWN -	REVISED -
PLOT SCALE = 1.0000' / in.	CHECKED -	REVISED -
PLOT DATE = 8/16/2013	DATE - 07/15/13	REVISED -

STATE OF ILLINOIS
DEPARTMENT OF TRANSPORTATION

EXISTING AS-BUILTS SN 016-1087

SCALE: NTS SHEET AS-17 OF AS-62 SHEETS STA. TO STA.

F.A.I. R.T.E.	SECTION	COUNTY	TOTAL SHEETS	SHEET NO.
90/94/290	2013-008R	COOK	559	315
CONTRACT NO. 60W26				
ILLINOIS FED. AID PROJECT				