

WEST EDGE OF SOUTH APPROACH SLAB

Location	Station	Offset	Theoretical Grade Elevations
S. End South Appr. Slab	3832+78.18	-34.00	594.22
A	3832+88.18	-34.00	594.45
B	3832+98.18	-34.00	594.72
N. End South Appr. Slab	3833+08.18	-34.00	595.00

WEST CURB LINE

Location	Station	Offset	Theoretical Grade Elevations
S. End South Appr. Slab	3832+69.96	-22.50	593.86
A	3832+79.96	-22.50	594.08
B	3832+89.96	-22.50	594.32
N. End South Appr. Slab	3832+99.96	-22.50	594.59

EAST EDGE OF PAVEMENT

Location	Station	Offset	Theoretical Grade Elevations
S. End South Appr. Slab	3832+33.80	28.08	594.30
A	3832+44.85	26.61	594.52
B	3832+55.63	25.50	594.75
N. End South Appr. Slab	3832+65.64	25.50	594.97

WEST EDGE OF PAVEMENT

Location	Station	Offset	Theoretical Grade Elevations
S. End South Appr. Slab	3832+66.39	-17.50	593.91
A	3832+76.39	-17.50	594.12
B	3832+86.39	-17.50	594.36
N. End South Appr. Slab	3832+96.39	-17.50	594.62

EAST CURB LINE

Location	Station	Offset	Theoretical Grade Elevations
S. End South Appr. Slab	3832+29.43	34.18	594.31
A	3832+40.68	32.44	594.53
B	3832+51.91	30.70	594.78
N. End South Appr. Slab	3832+62.07	30.50	595.03

PGL & Halsted St. ROADWAY

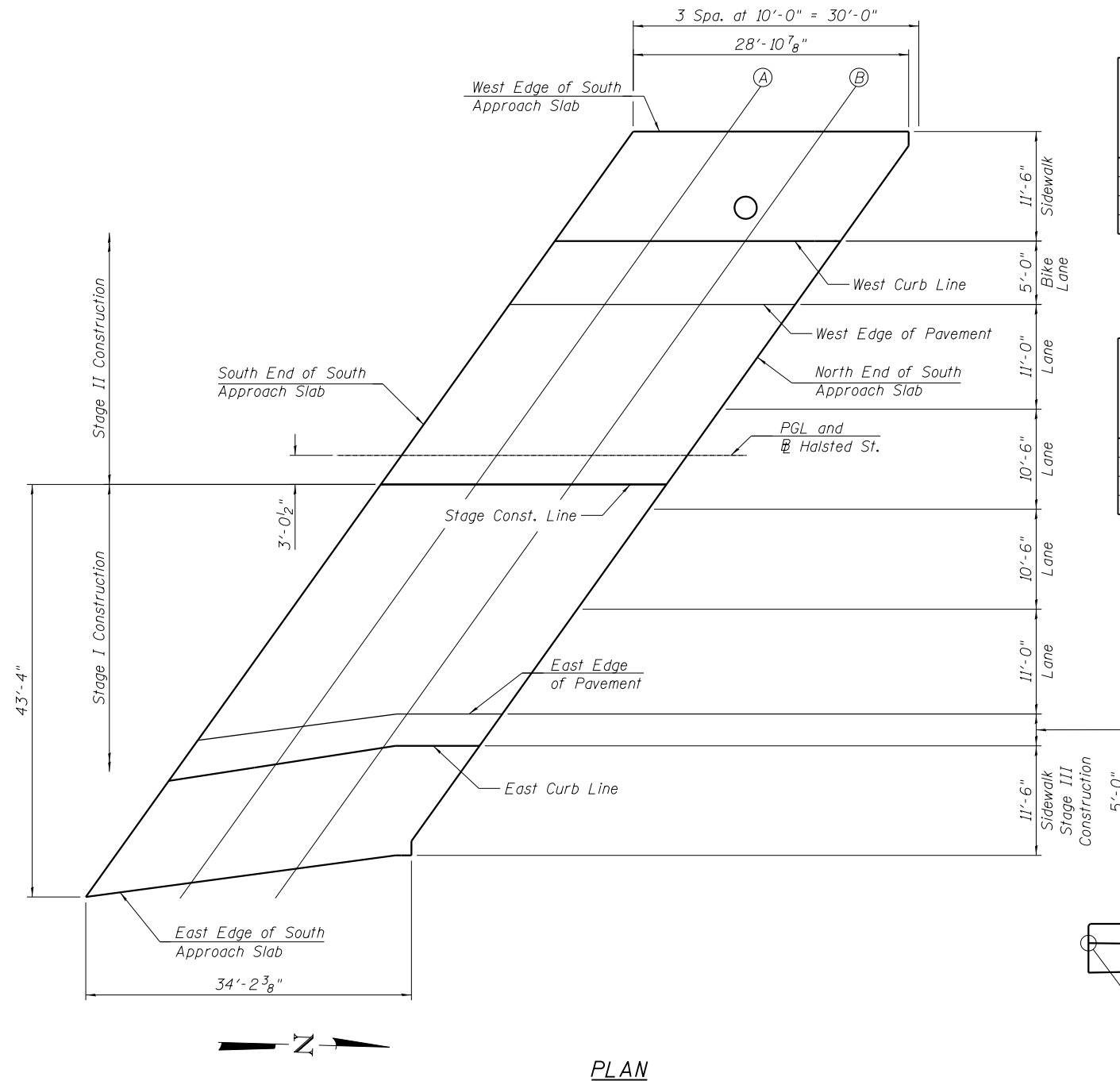
Location	Station	Offset	Theoretical Grade Elevations
S. End South Appr. Slab	3832+53.87	0.00	594.12
A	3832+63.87	0.00	594.30
B	3832+73.87	0.00	594.50
N. End South Appr. Slab	3832+83.87	0.00	594.73

EAST EDGE OF SOUTH APPROACH SLAB

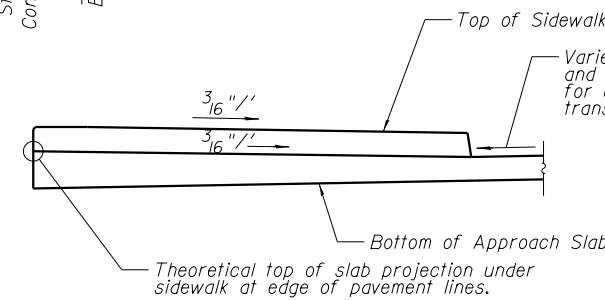
Location	Station	Offset	Theoretical Grade Elevations
S. End South Appr. Slab	3832+20.72	46.37	594.33
A	3832+31.78	44.88	594.52
B	3832+42.83	43.40	594.75
N. End South Appr. Slab	3832+53.84	42.00	595.00

STAGE CONSTRUCTION LINE

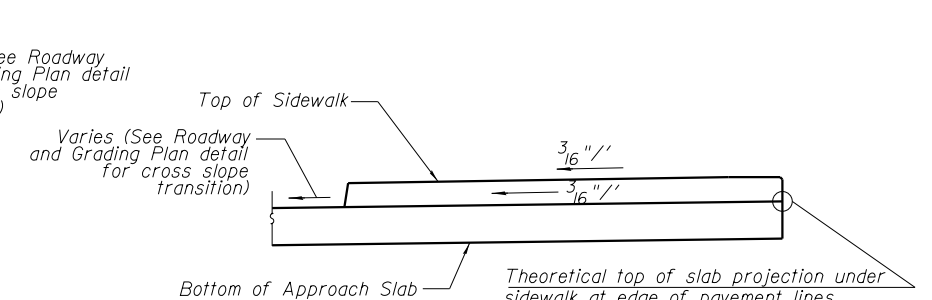
Location	Station	Offset	Theoretical Grade Elevations
S. End South Appr. Slab	3832+51.69	3.04	594.16
A	3832+61.69	3.04	594.34
B	3832+71.69	3.04	594.53
N. End South Appr. Slab	3832+81.69	3.04	594.76



PLAN



LOCATION OF ELEVATION UNDER WEST SIDEWALK



LOCATION OF ELEVATION UNDER EAST SIDEWALK

5/14/16 PM 0161716-60W26-S025-TopSlab-SouthApproach.dgn



USER NAME = jlvuorenmaa	DESIGNED - DL	REVISED
	CHECKED - WJC	REVISED
PLOT SCALE = 8x0.0000 ' / in.	DRAWN - MTS	REVISED
PLOT DATE = 8/18/2013	CHECKED - DL/WJC	REVISED

**STATE OF ILLINOIS
DEPARTMENT OF TRANSPORTATION**

**TOP OF SOUTH APPROACH SLAB ELEVATIONS
STRUCTURE NO. 016-1716**

SHEET NO. S2-25 OF S2-81 SHEETS

F.A.U. RTE.	SECTION	COUNTY	TOTAL SHEETS	SHEET NO.
3730	2013-008R	COOK	559	385
CONTRACT NO.			60W26	
ILLINOIS FED. AID PROJECT				