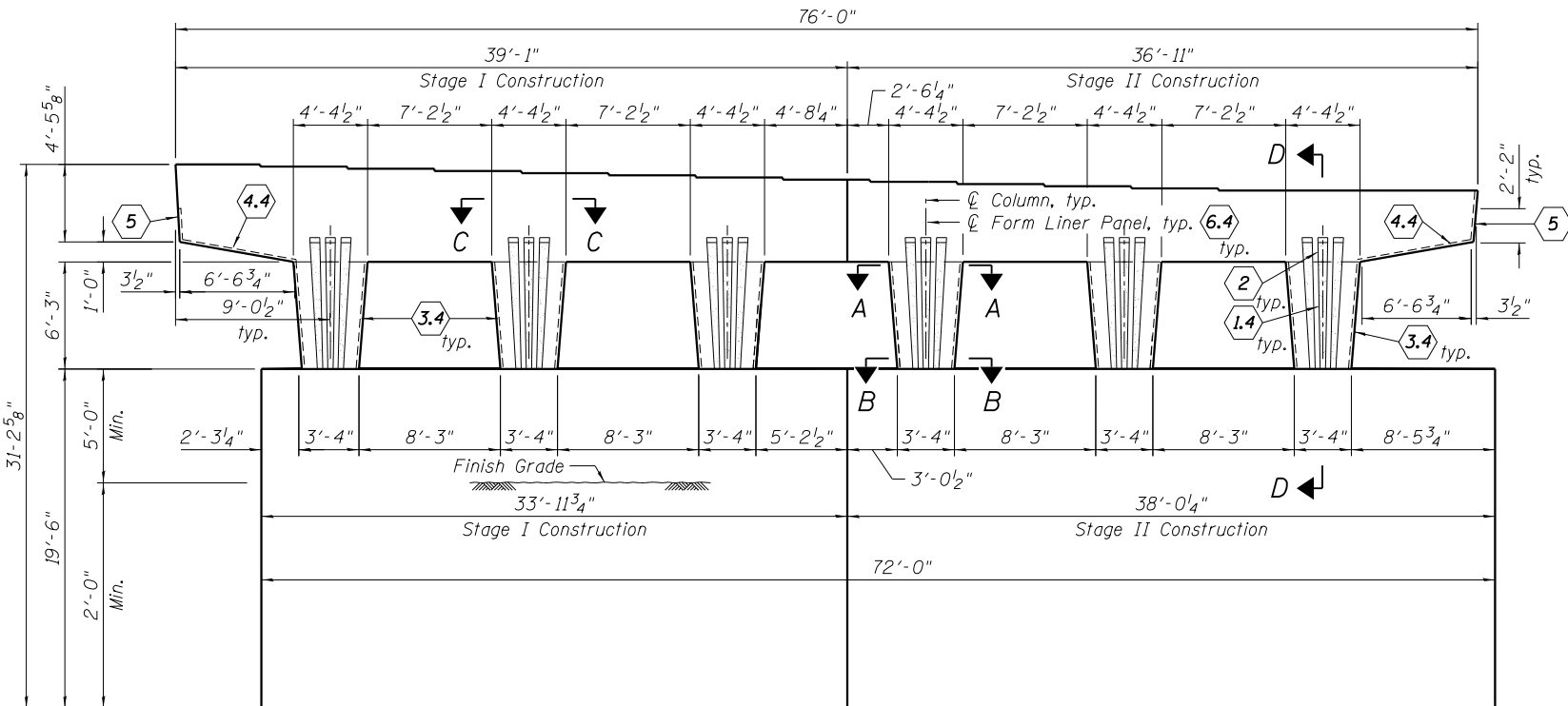


PIER ELEVATION
(Looking North)



PIER ELEVATION
(Looking South)

LEGEND

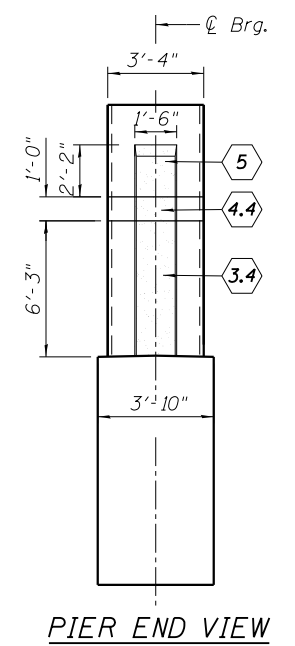
1.4 2 3.4 4.4 5 6.4

Textured Form Liner

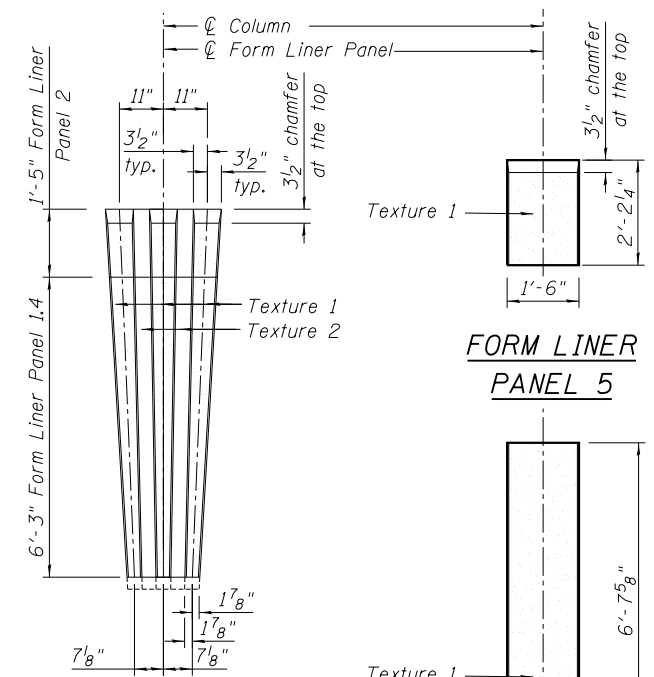
BILL OF MATERIAL

Item	Unit	Total
Form Liner Textured Surface	Sq. Ft.	665

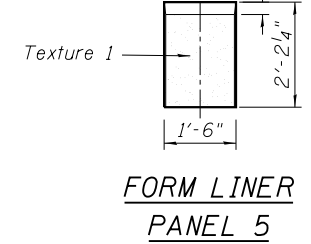
- Notes:
- Alternate: For surface indicated as Textured Form Liner (6.4), Contractor can chose to build large protrusion directly into these forms if a smooth uniform surface can be provided.
 - Tapered fluting - dimensions vary, see elevation profile.
 - Form liner panel (2) is continuation of panel (1.4). Keep adjacent form liners aligned.
 - Hand clean and smooth the surface of the construction joint between the pier and cap.
 - Texture 1: Light Sandblast as selected from manufacturer's standard pattern selection. Texture 2: Smooth



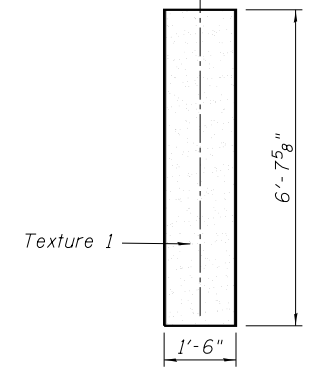
PIER END VIEW
(Looking East)
(Looking West - Sim.)



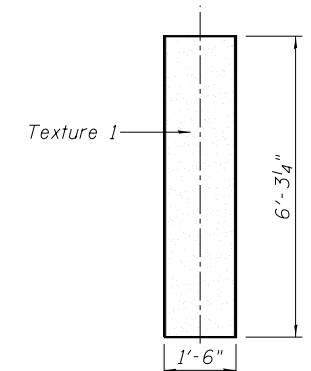
FORM LINER PANEL 1.4 & 2



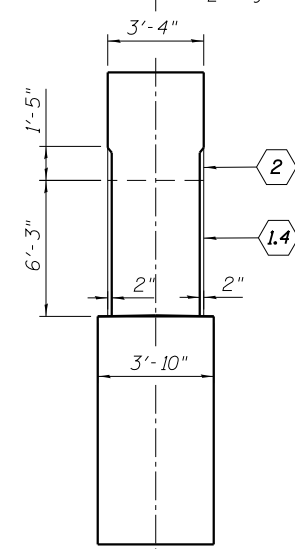
FORM LINER PANEL 5



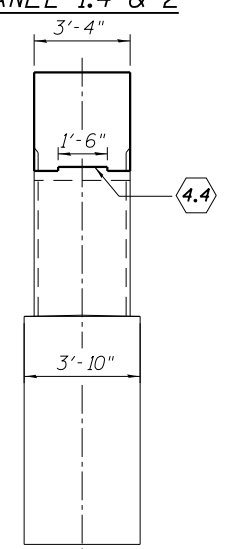
FORM LINER PANEL 4.4



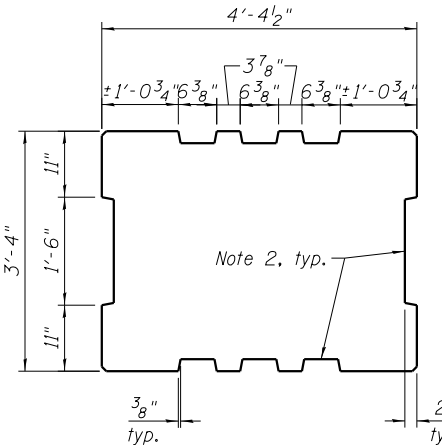
FORM LINER PANEL 3.4



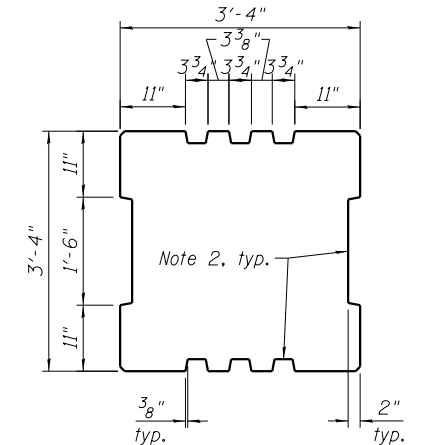
SECTION D-D



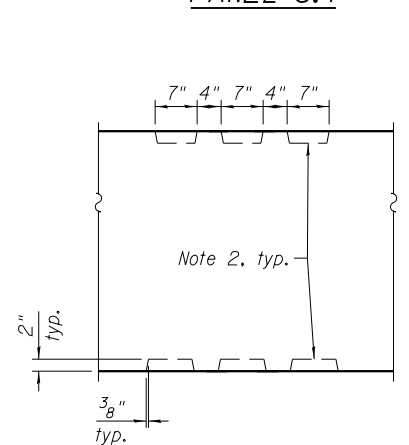
SECTION E-E



SECTION A-A
At Top of Column



SECTION B-B
At Bottom of Column



SECTION C-C
In Cap

4/3/10 PM 0161716-60W26-S069-Pier.dgn



USER NAME = rlschultz	DESIGNED - MDS	REVISED
CHECKED - JRM	REVISOR	REVISOR
PLOT SCALE = 5:4.0006 ' / in.	DRAWN - RLS	REVISOR
PLOT DATE = 9/15/2013	CHECKED - MDS	REVISOR

STATE OF ILLINOIS
DEPARTMENT OF TRANSPORTATION

PIER 4 ARCHITECTURAL DETAILS
STRUCTURE NO. 016-1716

SHEET NO. S2-69 OF S2-81 SHEETS

F.A.U. R.E.	SECTION	COUNTY	TOTAL SHEETS	SHEET NO.
3730	2013-008R	COOK	559	429
CONTRACT NO.			60W26	
ILLINOIS FED. AID PROJECT				