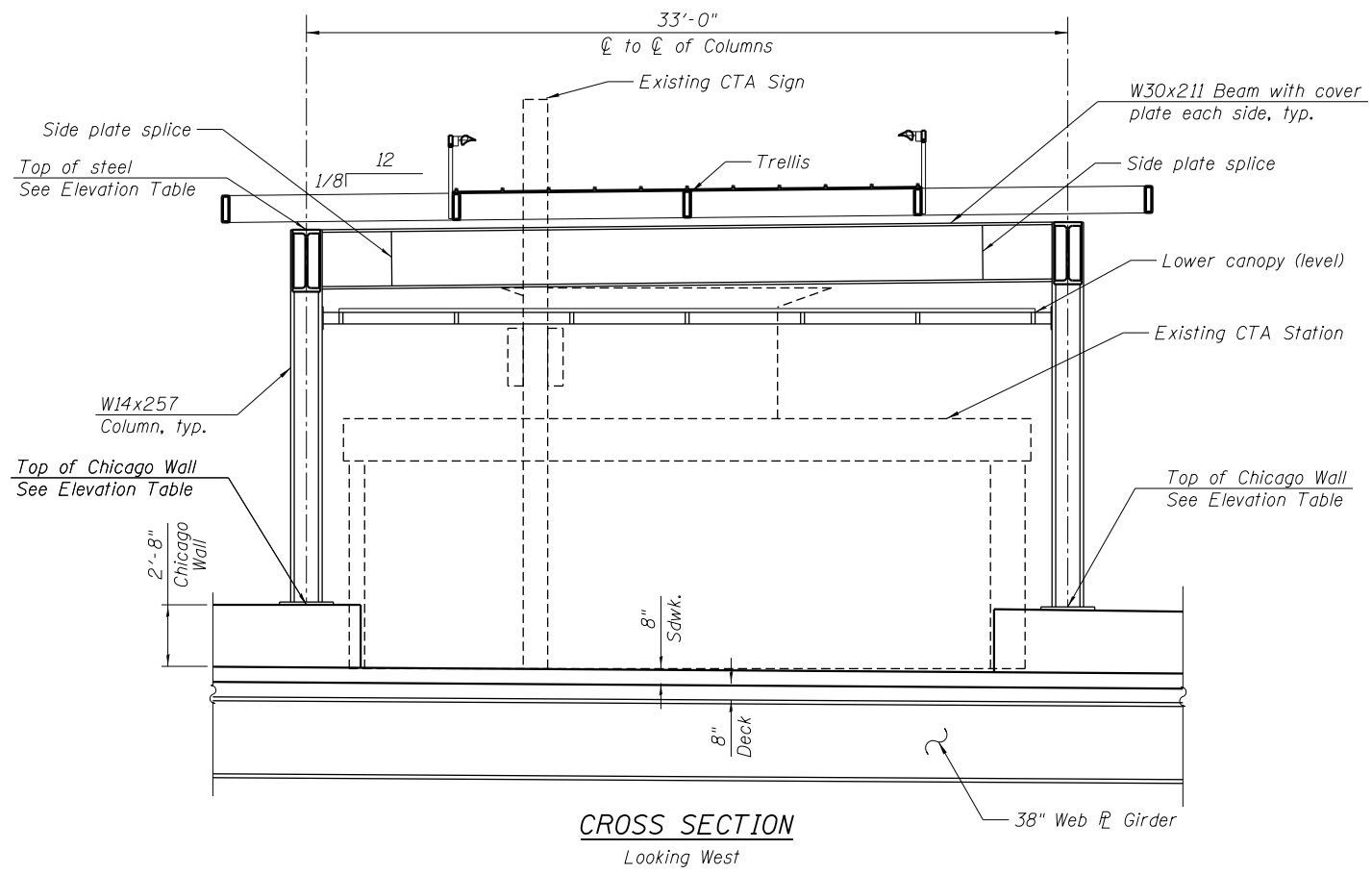


CANOPY ELEVATION
Looking North



CROSS SECTION
Looking West

BILL OF MATERIAL

Item	Unit	Total
Structural Steel (CTA)	L. Sum	1

ELEVATION TABLE

LOCATION	TOP OF CHICAGO WALL	TOP OF STEEL
NE	604.17	623.75
SE	604.13	623.37
SW	602.78	618.91
NW	602.77	619.24

Notes:

10:30:47 AM 0161716-60W26-A003-CanopySuperStruct-01.dgn



USER NAME = BAWIort	DESIGNED - ENH	REVISED
	CHECKED - HKB	REVISED
PLOT SCALE = 0:1' = 1/8"	DRAWN - CD	REVISED
PLOT DATE = 9/15/2013	CHECKED - HKB	REVISED

STATE OF ILLINOIS
DEPARTMENT OF TRANSPORTATION

PEDESTRIAN CANOPY ELEVATION AND SECTION
STRUCTURE NO. 016-1716

SHEET NO. 3 OF 11 SHEETS

F.A.U. RTE.	SECTION	COUNTY	TOTAL SHEETS	SHEET NO.
3730	2013-008R	COOK	559	444
CONTRACT NO.			60W26	
ILLINOIS FED. AID PROJECT				