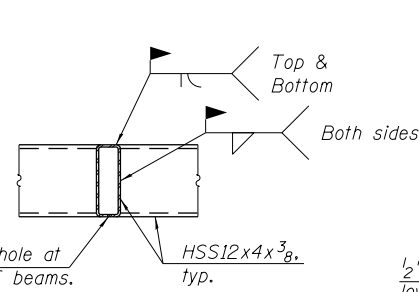
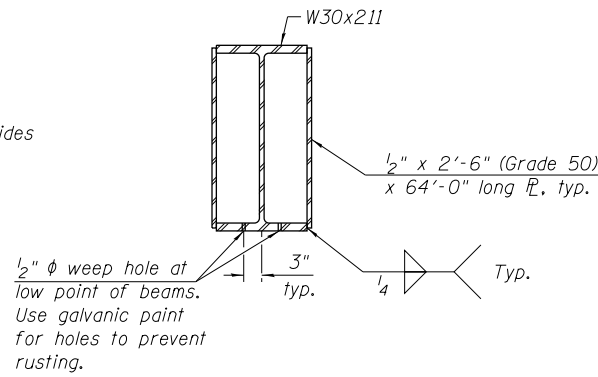


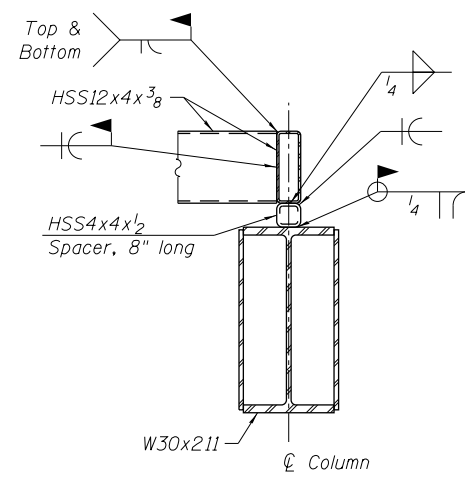
SECTION A-A



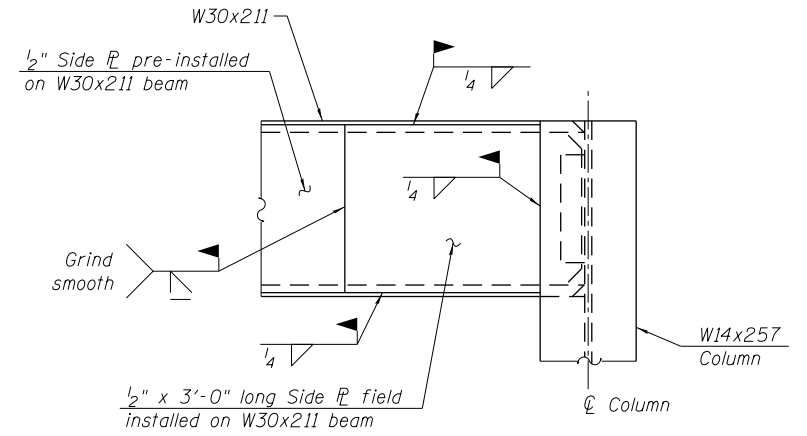
SECTION B-B



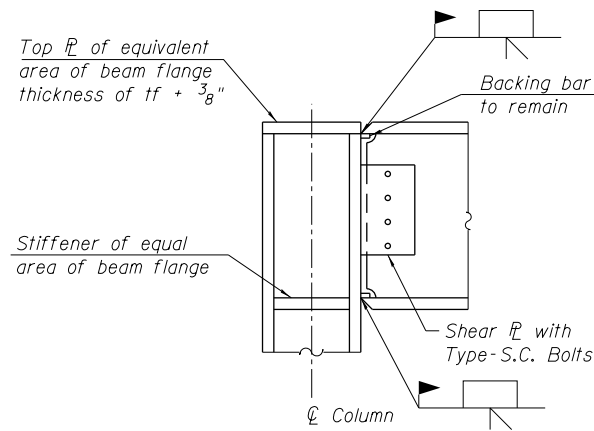
SECTION C-C



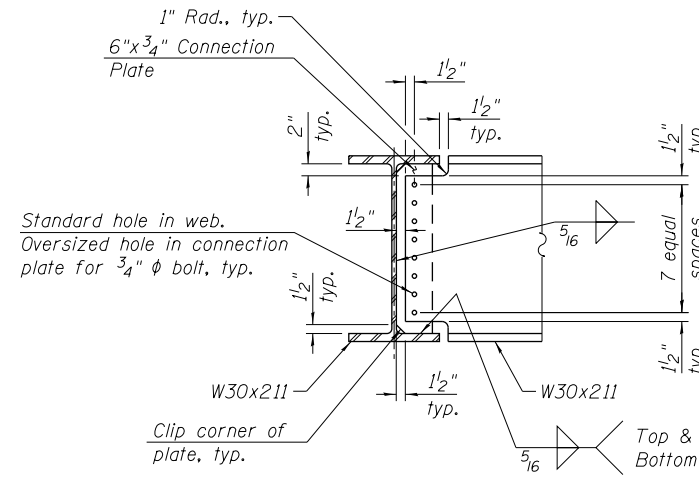
SECTION D-D



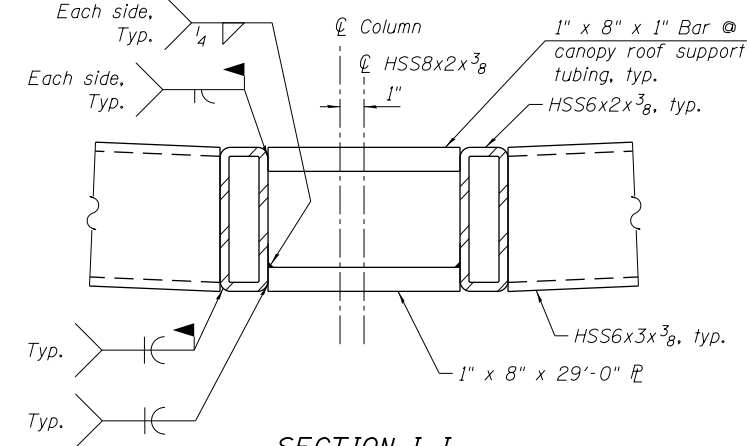
SECTION E-E



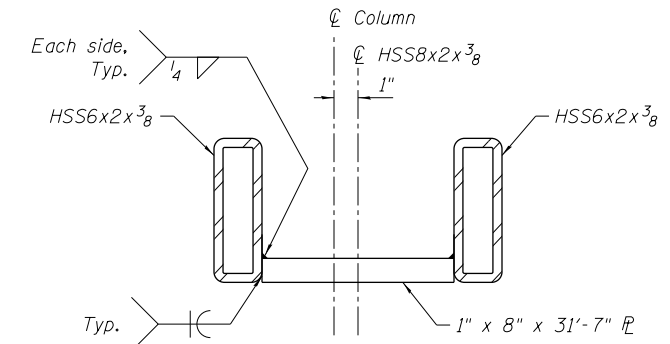
SECTION F-F



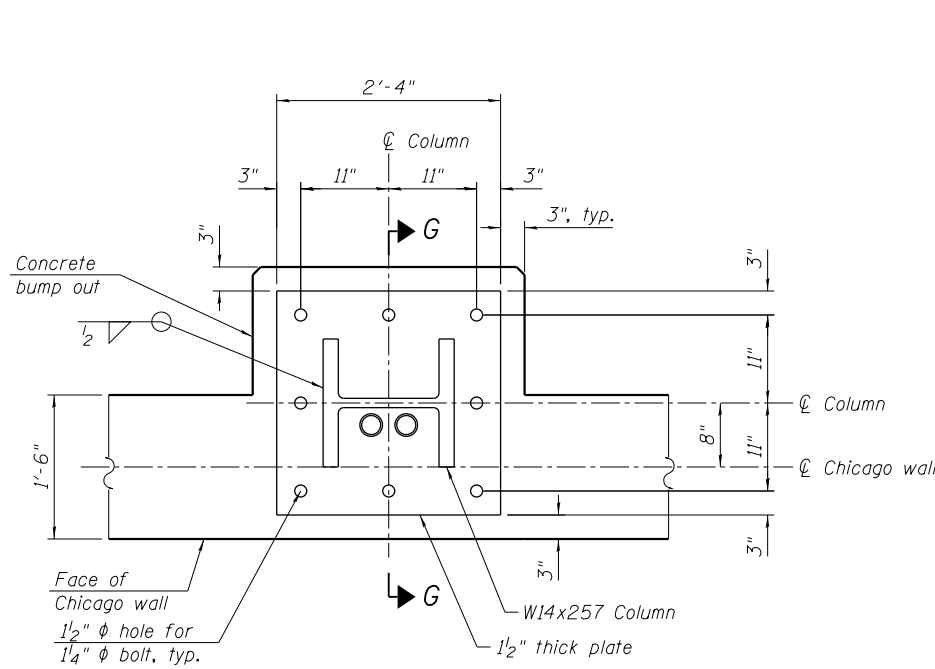
SECTION H-H



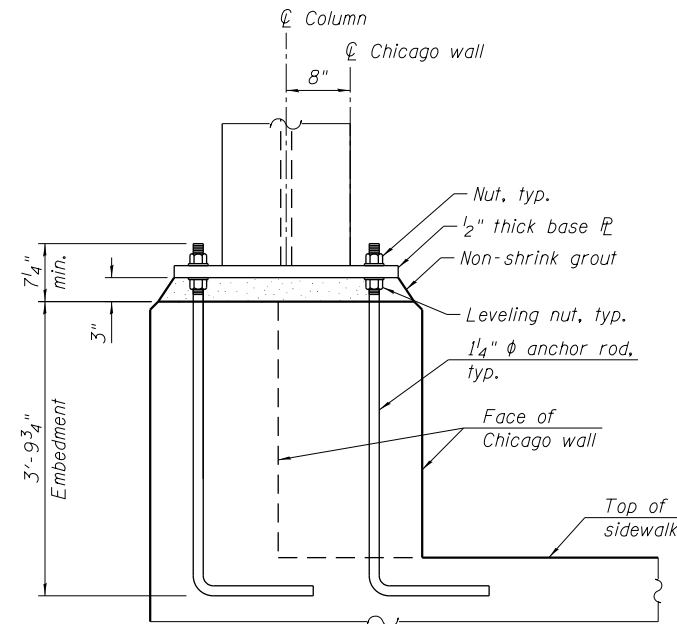
SECTION I-I



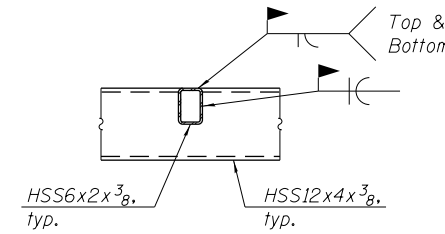
SECTION J-J



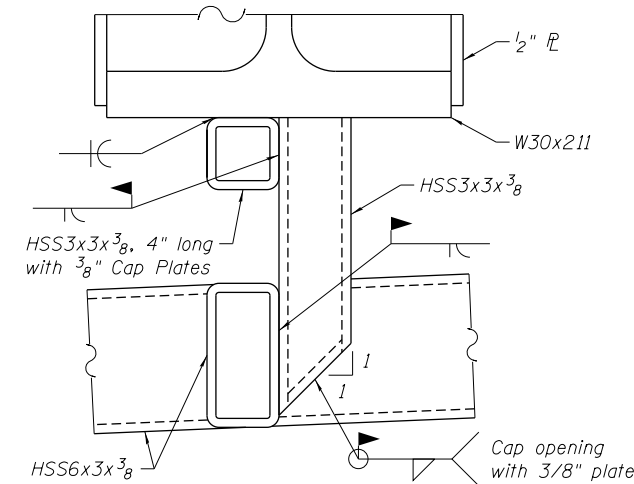
BASE PLATE DETAIL



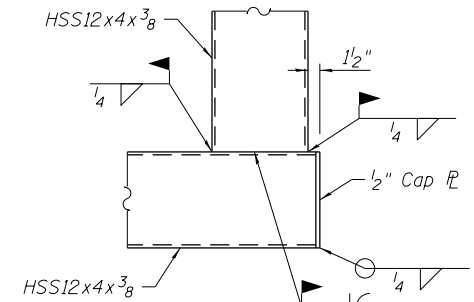
SECTION G-G



SECTION N-N



SECTION M-M



DETAIL 1

10:30:49 AM 0161716-60W26-A004-CanopySuperStruct-02.dgn



USER NAME =	BAWtor+	DESIGNED -	ENH	REVISED	
		CHECKED -	HKB	REVISED	
PLOT SCALE =	0:1' = 1/8" / 1 in.	DRAWN -	CD	REVISED	
PLOT DATE =	9/15/2013	CHECKED -	HKB	REVISED	

STATE OF ILLINOIS
DEPARTMENT OF TRANSPORTATION

PEDESTRIAN CANOPY DETAILS
STRUCTURE NO. 016-1716

SHEET NO. 4 OF 11 SHEETS

F.A.U. R.T.E.	SECTION	COUNTY	TOTAL SHEETS	SHEET NO.
3730	2013-008R	COOK	559	445
CONTRACT NO.			60W26	
ILLINOIS FED. AID PROJECT				