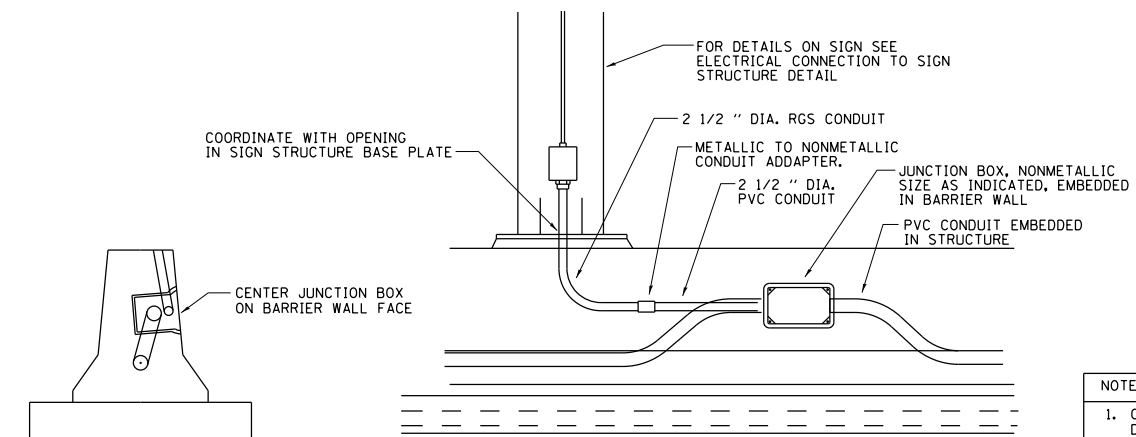


NOTES

1. CONDUIT SHALL BE 4-INCH DIAMETER UNLESS OTHERWISE INDICATED IN THE PLANS.
2. JUNCTION BOX SIZE  
SINGLE FACE WALL: 21" X 11" X 8"  
DOUBLE FACE WALL: 20" X 13" X 12"

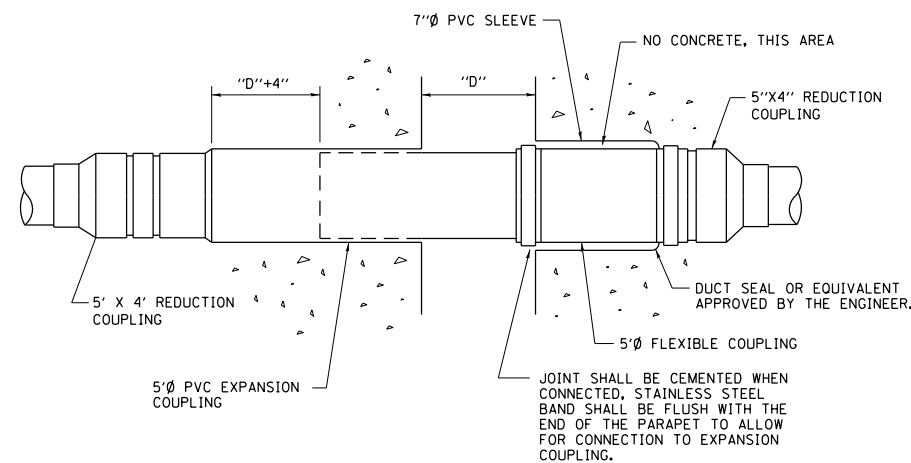
ED - BWD  
ELECTRIC CONNECTION TO UNDERPASS LIGHTING



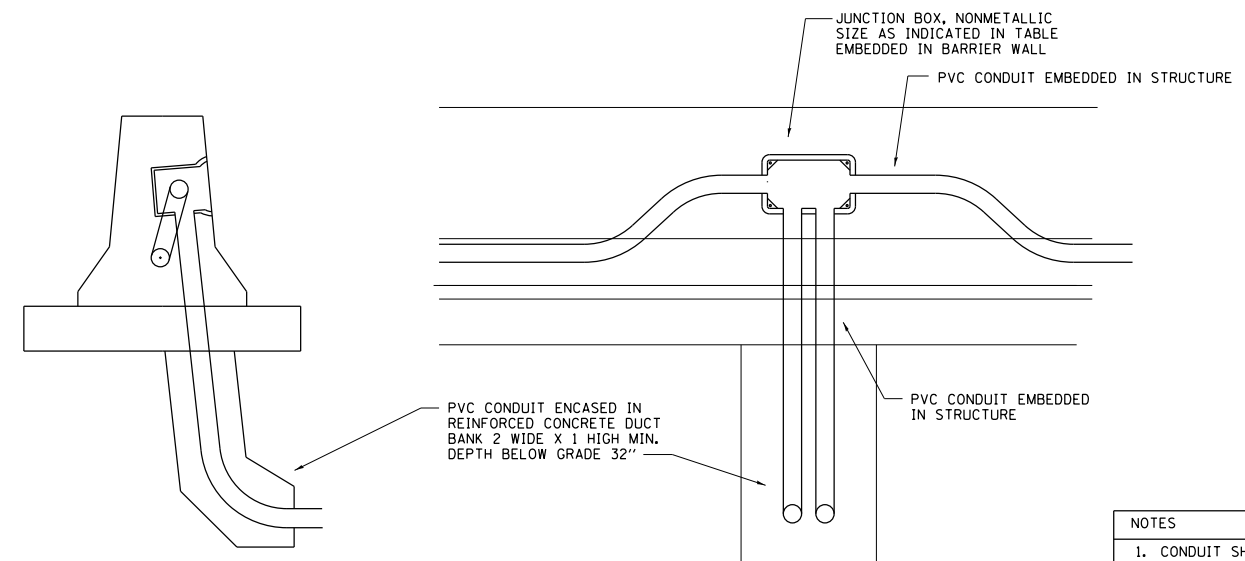
NOTES

1. CONDUIT SHALL BE 4-INCH DIAMETER UNLESS OTHERWISE INDICATED IN THE PLANS.
2. JUNCTION BOX SIZE  
SINGLE FACE WALL: 21" X 11" X 8"  
DOUBLE FACE WALL: 20" X 13" X 12"

ED - SGN  
JUNCTION BOX EMBEDDED IN BARRIER WALL FOR SIGN LIGHTING



INSTALLATION OF CONDUIT  
IN BRIDGE PARAPET EXPANSION JOINT  
(N.T.S.)



NOTES

1. CONDUIT SHALL BE 4-INCH DIAMETER UNLESS OTHERWISE INDICATED IN THE PLANS.
2. JUNCTION BOX SIZE  
SINGLE FACE WALL: 21" X 11" X 8"  
DOUBLE FACE WALL: 20" X 13" X 12"

ED - BW  
JUNCTION BOX EMBEDDED IN BARRIER WALL

FILE NAME = D160W26-SHT-D1-Detail-12-(BE-703).dgn	USER NAME = ougeungh	DESIGNED -	REVISED -
		DRAWN -	REVISED -
		CHECKED -	REVISED -
		DATE - 01-20-2009	REVISED -

STATE OF ILLINOIS  
DEPARTMENT OF TRANSPORTATION

MISCELLANEOUS ELECTRICAL DETAILS, SHEET B			
J BOX EMBEDDED IN BARRIER WALL - INSTALLATION OF CONDUIT IN BRIDGE PARAPET EXPANSION JOINT - ELECTRIC CONNECTION TO UNDERPASS LIGHTING			
SCALE: NONE	SHEET NO. 10 OF 27 SHEETS	STA.	TO STA.

F.A.I. RTE.	SECTION	COUNTY	TOTAL SHEETS	SHEET NO.
*	2013-008R	COOK	559	470
BE-703			CONTRACT NO. 60W26	
FED. ROAD DIST. NO. 1 ILLINOIS FED. AID PROJECT				