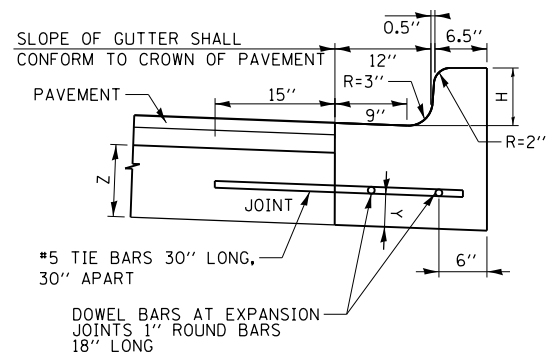
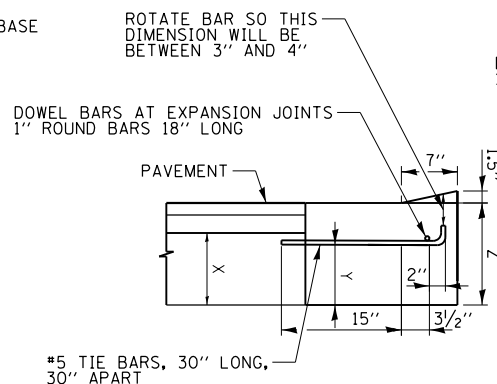


**COMBINATION CURB AND GUTTER  
TYPE B V.12 (CDOT) AND  
CONCRETE CURB, TYPE B (SPECIAL) (CDOT)**

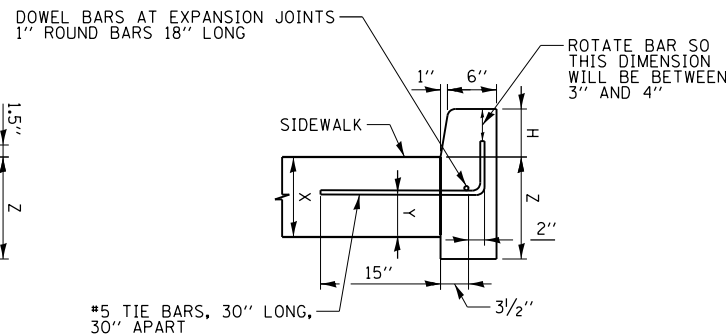
**NOTE:**  
H = VARIABLE, MINIMUM 3" AND NOT TO EXCEED 9" (SEE PLANS)  
X = THICKNESS OF PAVEMENT  
Y = ONE HALF THE THICKNESS OF CONCRETE PAVEMENT OR CONCRETE BASE  
Z = 10" OR THICKNESS OF PAVEMENT - WHICHEVER IS GREATER



**COMBINATION CURB AND GUTTER  
TYPE B V.12 (CDOT)**  
(USED AT HARRISON AND HALSTED STREETS)



**DEPRESSED CURB**  
(USED AT DRIVEWAY AND ADA RAMP)



**BARRIER CURB**  
(USED NEXT TO ADA RAMP AND DRIVEWAY  
PAVEMENT WHEN NEEDED)

**CONCRETE CURB, TYPE B (SPECIAL) (CDOT)**

**DEPRESSED CURB & GUTTER**

DEPRESSED CURB AND GUTTER AND TRANSITIONS BETWEEN BARRIER CURB WILL BE PAID FOR UNDER THE ADJACENT CURB ITEM. DEPRESSED CURB AND MOUNTABLE GUTTER MUST MEET CDOT ADA STANDARDS.

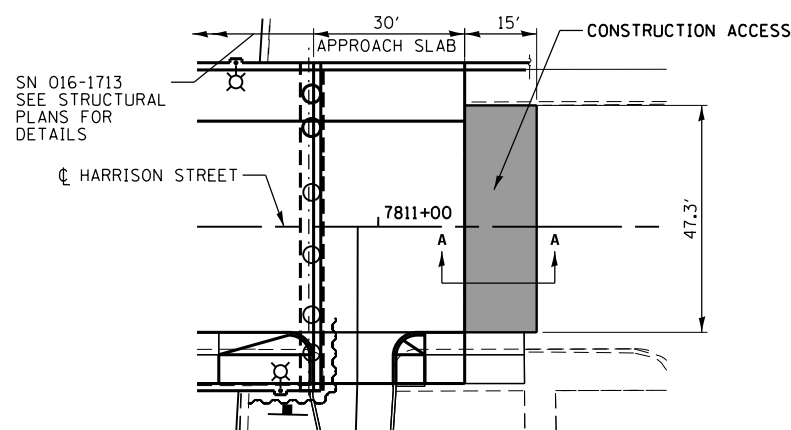
**JOINTS IN CURB, COMBINED CURB AND GUTTER**

TRANSVERSE JOINTS OF A TYPE SIMILAR TO THAT USED IN THE ADJACENT PAVEMENT SHALL BE INSTALLED IN THE CURB, GUTTER AND COMBINED CURB & GUTTER IN PROLONGATION WITH THE JOINTS IN THE PAVEMENT. THE DETAILS OF THE TRANSVERSE JOINTS IN THE CURB, GUTTER AND COMBINED CURB & GUTTER SHALL BE APPROVED BY THE ENGINEER. CURB, GUTTER OR COMBINED CURB AND GUTTER IS CONSTRUCTED ADJACENT TO A FLEXIBLE BASE PAVEMENT, 1" THICK EXPANSION JOINTS COMPOSED OF BITUMINOUS PREFORMED JOINT FILLER SHALL BE INSTALLED IN THE CURB AND/OR GUTTER AT POINTS OF CURVATURE AND AT CONSTRUCTION JOINTS. CONTRACTION JOINTS SHALL ALSO BE PLACED BETWEEN THESE EXPANSION JOINTS AT DISTANCES NOT EXCEEDING 20 FEET. ALL TIE BARS SHALL BE DEFORMED - ALL DOWEL BARS SHALL BE SMOOTH. ALL TIE BARS AND DOWEL BARS TO BE EPOXY COATED.

**JOINTS IN CURB, COMBINED CURB AND GUTTER**

THE COST OF ALL JOINTS, INCLUDING LABOR, FURNISH AND PLACING OF STEEL, JOINT FILLER, SEALANT, AND ALL OTHER INCIDENTALS SHALL BE INCLUDED IN THE UNIT PRICE BID FOR CONCRETE CURB, TYPE B (SPECIAL) (CDOT), AND COMBINATION CURB AND GUTTER TYPE B V.12 (CDOT) ITEMS. SAWCUTTING AND FURNISHING AND INSTALLING CURB ANCHORS, DOWELS, AND TIE BARS SHALL ALSO BE INCIDENTAL TO THESE ITEMS.

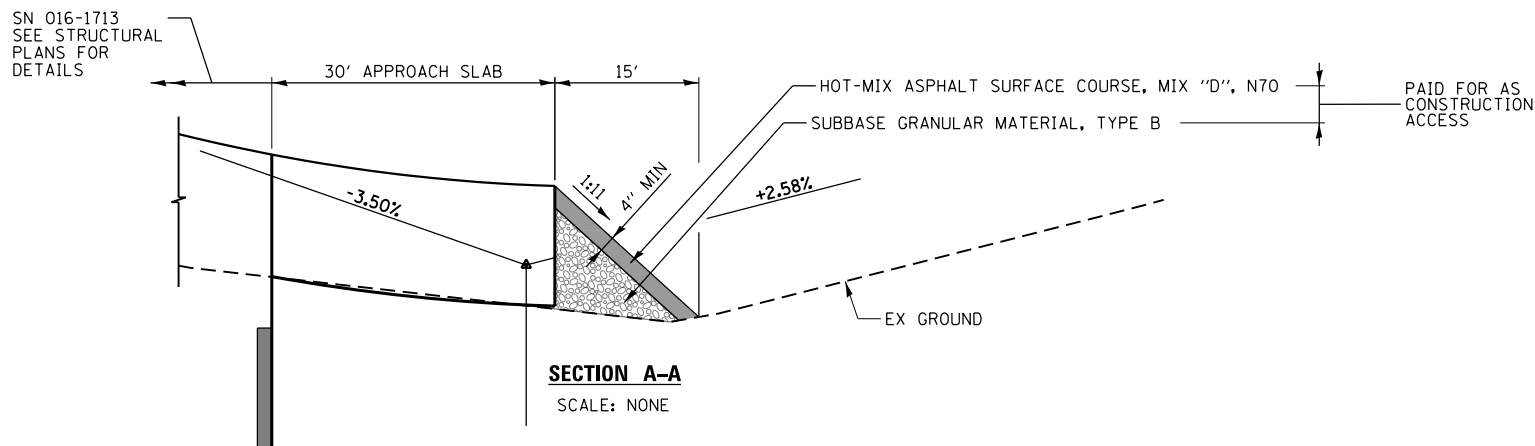
**DETAILS OF CONCRETE CURB, TYPE B (SPECIAL) (CDOT) AND  
COMBINATION CURB AND GUTTER TYPE B V.12 (CDOT)**



**DETAILS OF CONSTRUCTION ACCESS**

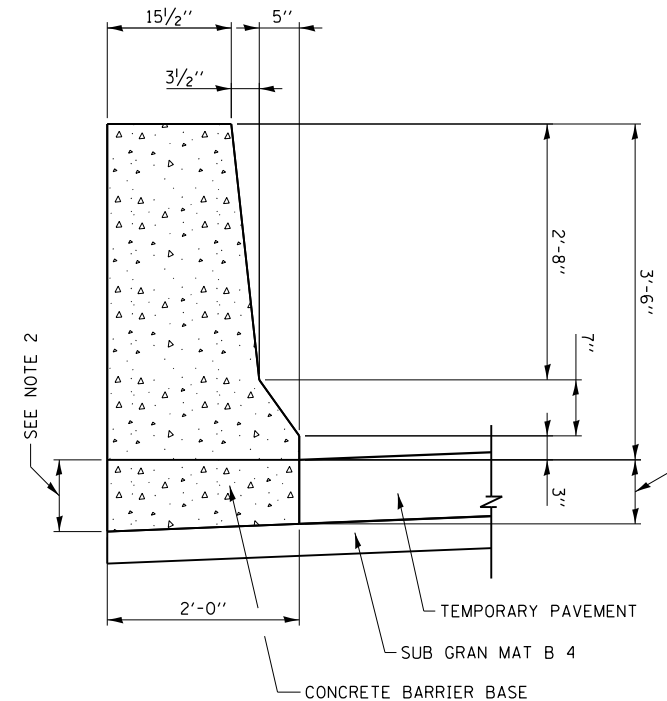
**CONSTRUCTION ACCESS**

- NOTES:**
- SEE CONSTRUCTION ACCESS SPECIAL PROVISION FOR ADDITIONAL INFORMATION.
  - CONSTRUCTION ACCESS MAY REQUIRE PERIODIC INSPECTION AND NEEDED MAINTENANCE. ACCESS REPAIR AND/OR MAINTENANCE SHALL BE INCLUDED IN COST OF CONSTRUCTION ACCESS.



**SECTION A-A**  
SCALE: NONE

**CONCRETE BARRIER, SINGLE FACE  
42 INCH HEIGHT DETAILS**



**DETAILS OF CONCRETE BARRIER, SINGLE FACE  
42 INCH HEIGHT**

**NOTES:**

- SEE ROADWAY DETAILS SHEETS 2, 10, 11 AND 12 FOR ADDITIONAL DETAILS.
- CONCRETE BARRIER BASE THICKNESS TO MATCH TEMPORARY PAVEMENT THICKNESS.
- SEE TYPICAL SECTION SHEET 6 FOR TEMPORARY PAVEMENT DETAILS.

FILE PATH = p:\388035\p\m\l\escomon\me\local\p\AEC\000\Documents\01\_Americas\Transportation\60269938\_Circle\Phase\_1\000\_CAD\006\_Roadway\Sheets\60W26-shr-Detail-01



D160W26-shr-Detail-01  
USER NAME = chitua  
PLOT SCALE = 10.0000' / 1 in.  
PLOT DATE = 9/15/2013

DESIGNED - AFC	REVISED -
DRAWN - AFC	REVISED -
CHECKED - DBM	REVISED -
DATE - 9/15/13	REVISED -

**STATE OF ILLINOIS  
DEPARTMENT OF TRANSPORTATION**

**ROADWAY DETAILS**  
CONC CURB TB SPL CDOT, COMB C&G B V.12(CDOT),  
CONSTRUCTION ACCESS AND CONC BAR 1F 42HT

SCALE: N.T.S. SHEET 1 OF 12 SHEETS STA. TO STA.

F.A.I. RTE.	SECTION	COUNTY	TOTAL SHEETS	SHEET NO.
90/94/290	2013-008R	COOK	559	491
CONTRACT NO. 60W26				
ILLINOIS FED. AID PROJECT				